

Executive & Task

Chair Range

BOEING

BENTLEY

ASTON

NEON

LEXUS

ERGO

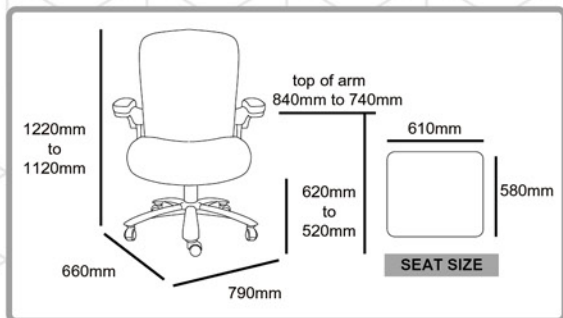
VICEROY

CROWN



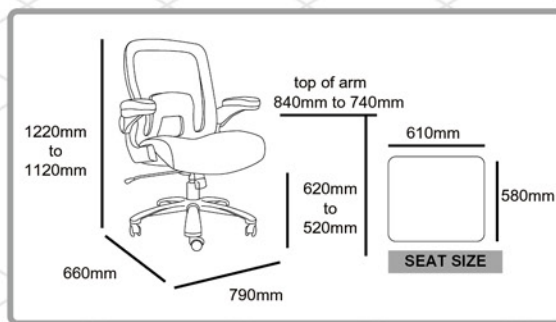
Boeing PU

CODE: BOE EX PU



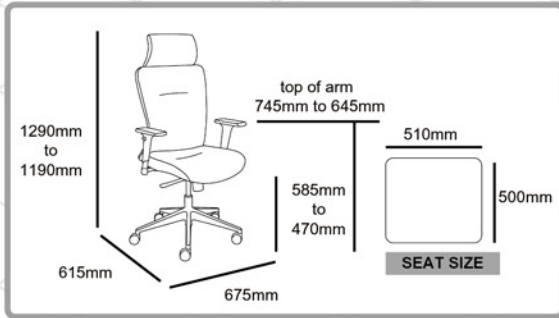
Boeing Mesh

CODE: BOE EX ME



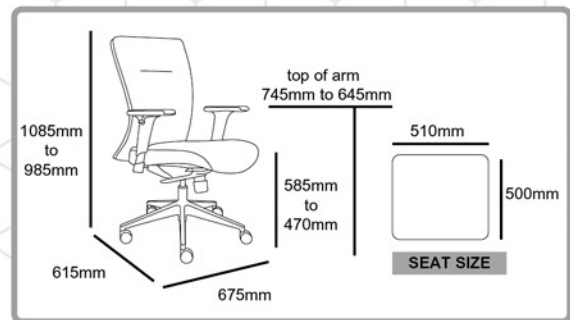
Bentley Executive High Back

CODE: BE 40 EX CH HB



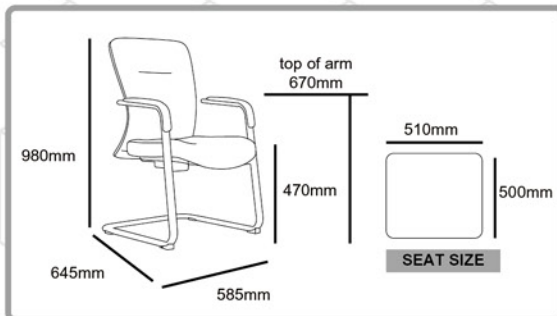
Bentley Executive Low Back

CODE: BE 40 EX CH LB



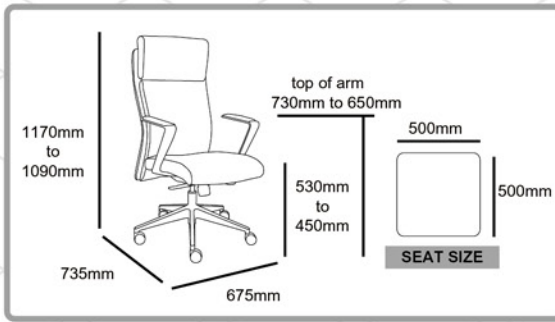
Bentley Cantilever

CODE: BE 40 CA CH



Aston Executive High Back

CODE: AST EX HB



3
YEARS
WARRANTY

furntech
Australian
Furnishing
Research &
Development
Institute
MEMBER

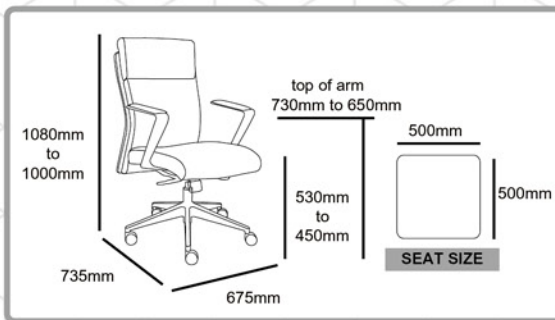
120
KG

22.8
KG



Aston Executive Low Back

CODE: AST EX LB



3
YEARS
WARRANTY

furntech
Australian
Furnishing
Research &
Development
Institute
MEMBER

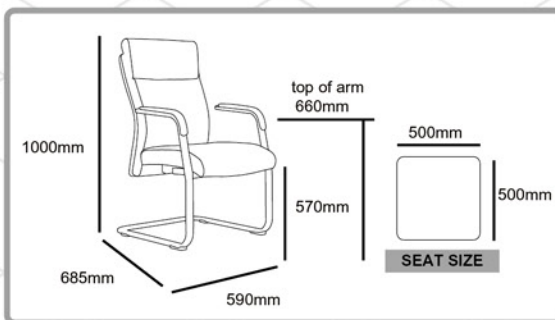
120
KG

22
KG



Aston Cantilever

CODE: AST CA CH



3
YEARS
WARRANTY

furntech
Australian
Furnishing
Research &
Development
Institute
MEMBER

120
KG

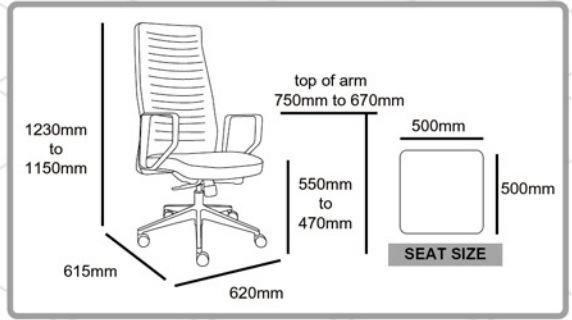
18.25
KG





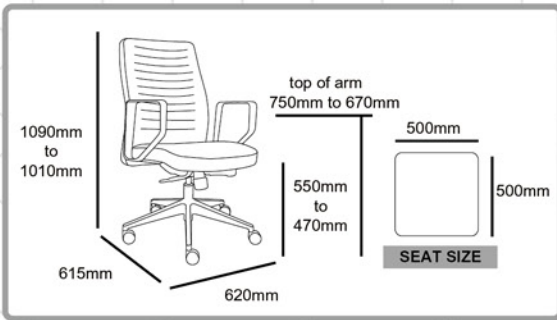
Neon Executive High Back

CODE: NEO EX HB



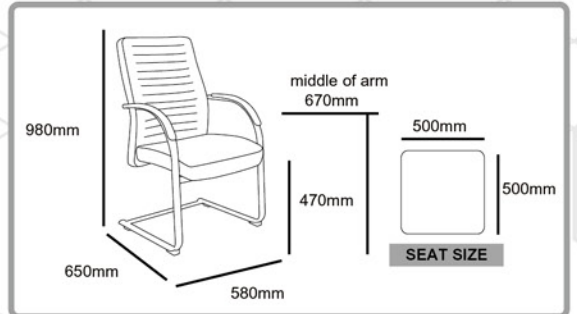
Neon Executive Low Back

CODE: NEO EX LB



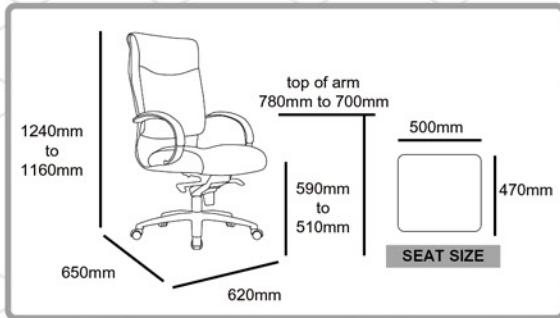
Neon Cantilever

CODE: NEO CA CH



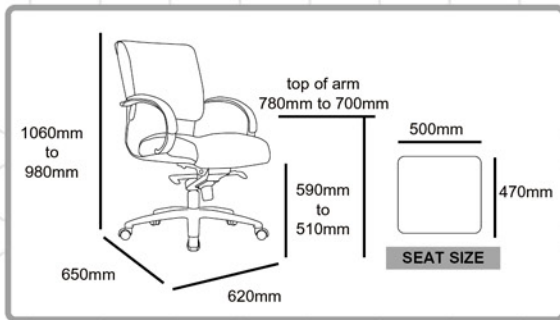
Lexus Executive High Back

CODE: LEX EX HB



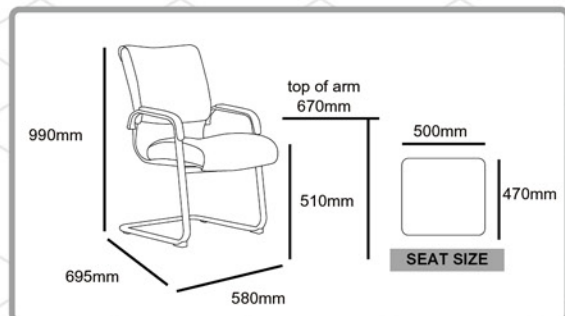
Lexus Executive Low Back

CODE: LEX EX LB



Lexus Cantilever

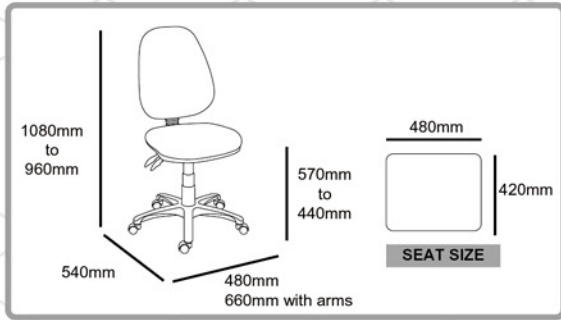
CODE: LEX CA CH



Ergo 300 High Back

CODE: ERG 300 H

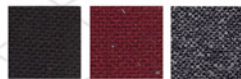
CODE With Arms: ERG 300 H + 06B



Stocked fabric colours



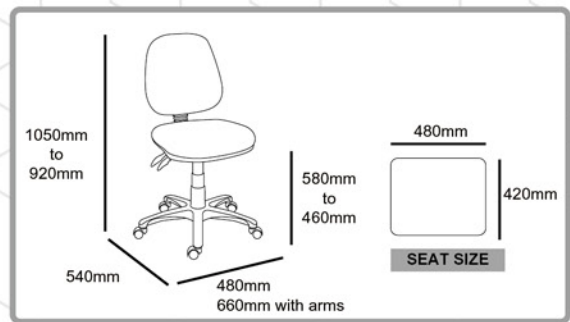
Stocked fabric colours



Ergo 300 Low Back

CODE: ERG 300

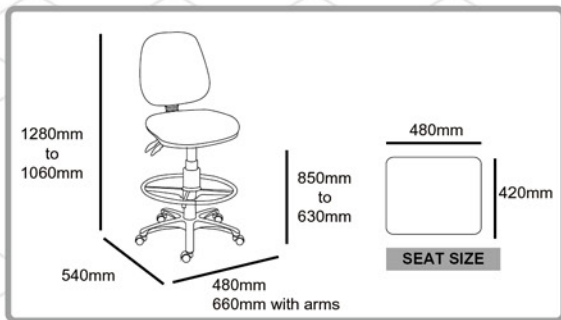
CODE With Arms: ERG 300 + 06B



Ergo 300 Drafting Low Back

CODE: ERG 300 D

CODE With Arms: ERG 300 D + 06B

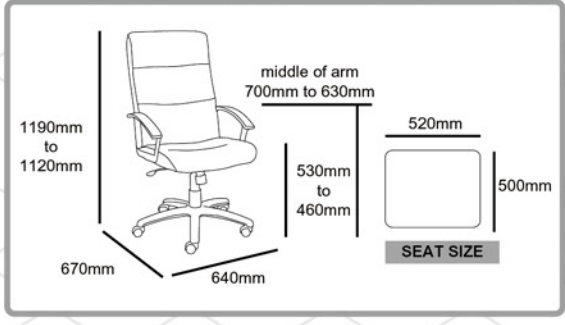


Stocked fabric colours



Viceroy Executive

CODE Chrome Base: VIC 2000 EX CH
 CODE Black Base: VIC 2000 EX BL



3 YEARS WARRANTY

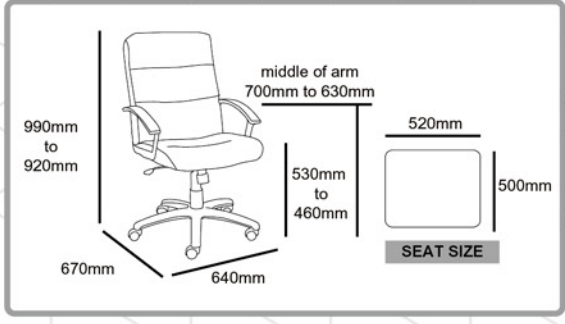
furntech
 Australian Furnishing Research & Development Institute MEMBER

CHROME BASE: 120 KG
 BLACK BASE: 110 KG
 15.3 KG



Viceroy Managerial

CODE Chrome Base: VIC 2000 MA CH
 CODE Black Base: VIC 2000 MA BL



3 YEARS WARRANTY

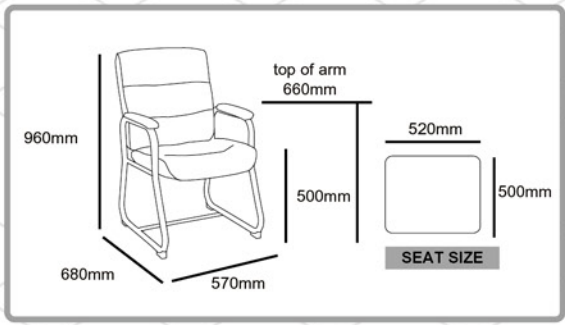
furntech
 Australian Furnishing Research & Development Institute MEMBER

CHROME BASE: 120 KG
 BLACK BASE: 110 KG
 14.3 KG



Viceroy Sled

CODE: VIC 2000



3 YEARS WARRANTY

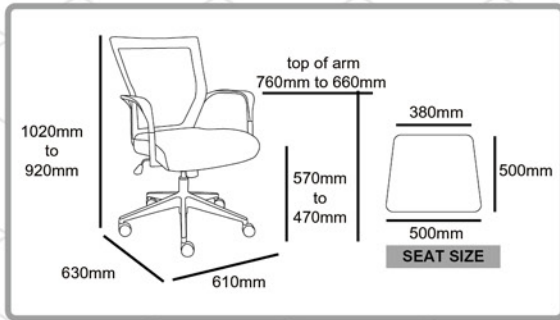
furntech
 Australian Furnishing Research & Development Institute MEMBER

120 KG
 16.2 KG



Crown Task

CODE: CRO TA BL

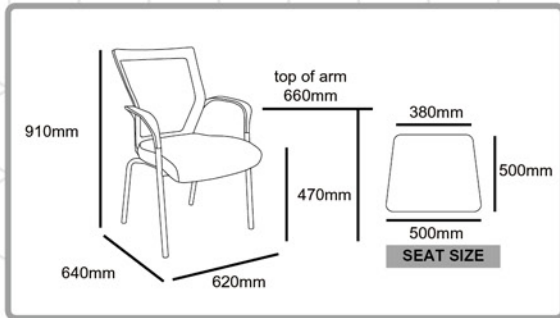


3
YEARS
WARRANTY



Crown 4 Leg

CODE: CRO 4L BL

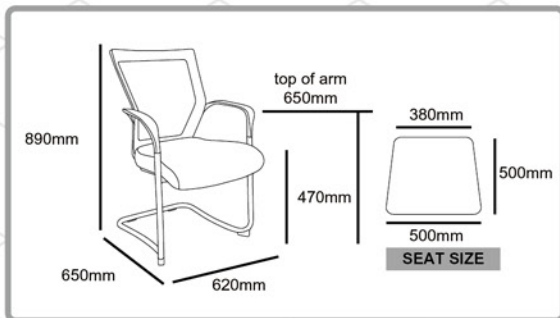


3
YEARS
WARRANTY



Crown Cantilever

CODE: CRO CA BL



3
YEARS
WARRANTY



Ask for a copy of the below catalogues to view additional ranges

• Health Care Range



• Educational Range



• Joshua and Comfort Range



• Table Range

