

CATALOGUE

2022-2023

Effective on 01/09/2022



 **STYLE**[®]
ERGONOMICS AUSTRALIA
SEATING SINCE 1990

All Style locally upholstered ranges are manufactured in our Sydney branch



Warranty period for chairs, lounges and acoustic screens



Furntech is an independent not-for-profit technical organisation providing standards, testing product certification and research for buyers and sellers of furniture.



Fully imported Chairs, lounges, parts and components.



The Performance criteria adopted for certification by Furntech is based on Australian standards, e.g. Level 6 - Severe commercial and heavy industrial.*

**Weight limits are self-rated by Style Ergonomic Australia. Level 6 AFRDI approved chairs are normally rated to 110kg.*



Chairs, lounges upholstered in Australia



BIFMA is a third-party certification program that provides manufacturers with valuable feedback for evaluating the environmental, human, and social impacts of their furniture products for manufacturing, facility, and organisation.



Weight rating for individual chairs and lounges*

AFRDI 142 Certification



ARFDI rating for multi shift use and 160kg weight limit.



All instructions of use are instructed while sitting in the chair.

R1 - Task mesh seating

Avoca range.....	6
Vesta range	8
Chelsea range	10
Mega range.....	12

R2 - Task seating

Prestige range.....	14
Oriel range.....	16
Alpha range	18
Virgo range.....	20
Safari range.....	22
Galaxy range.....	24
Profile range	26
Epic range.....	28
Spiral range.....	30
Comfort range	32
Molta range.....	34

R3 - Multi shift seating

Rotary range.....	36
Multi range.....	38
Rover range.....	40
Dueler range.....	42
Control range	44

R4 - Executive seating

Regal range.....	46
Austin range	48
Porto range	50
Acura range.....	52
Assist range.....	54

R5 - Hospitality seating

Astra range.....	56
Focus range.....	58
Vinn range	60
Pod range	64
Maxi range.....	70
Vera range	74

R6 - Beam seating

Maxi beam range.....	76
Focus beam range.....	78
Vinn beam range.....	80
Pod beam range.....	82

R7 - Breakout seating

Smoke range	84
Yard range	86
Ridge range.....	88
Vero range	90
Gold range.....	92
June range.....	94
Time range	96
Opera range.....	98
Leaf range.....	100

R8 - Ottomans

Play range.....	102
Ola range	104
Clip range	106
Impress range	108
Radius range.....	110

R9 - Bar stools

Gamma range	112
Lift range.....	112
Vegas range	112
Flow range.....	112

R10 - Soft seating

Blitz range.....	114
Twist range.....	116
Montage range.....	118
Concept range	120
Shell range	122

R11 - Acoustic screens

Acoustic screens.....	124
-----------------------	-----

R12 - Industrial stools

State range.....	126
------------------	-----

R1 TASK MESH SEATING

AVOCA



FEATURES

- » Adjustable seat height
- » Adjustable back height (ratchet)
- » Adjustable seat angle (with 3 lever mechanism only)
- » Adjustable back angle
- » Optional adjustable arms
- » Optional seat depth (seat slider) (not available on drafting chair)
- » Optional drafting kit
- » Optional 2 or 3 lever mechanism
- » Available in high and low back
- » Moulded seat foam
- » Mesh back
- » Java seat
- » 600mm black nylon base
- » Available in local fabrics
- » Back mesh available in Jazz mesh
- » AFRDI tested to level 6
- » Suitable for indoor use only
- » 7 year warranty
- » Weight limit is 130kg

INDOOR USE ONLY

✗ Do not use as a step ladder

To adjust back height hold back with two hands while seated and raise to desired height

To lower the back height raise back all the way to the top and release slowly

OPTIONAL ADJUSTABLE ARMS

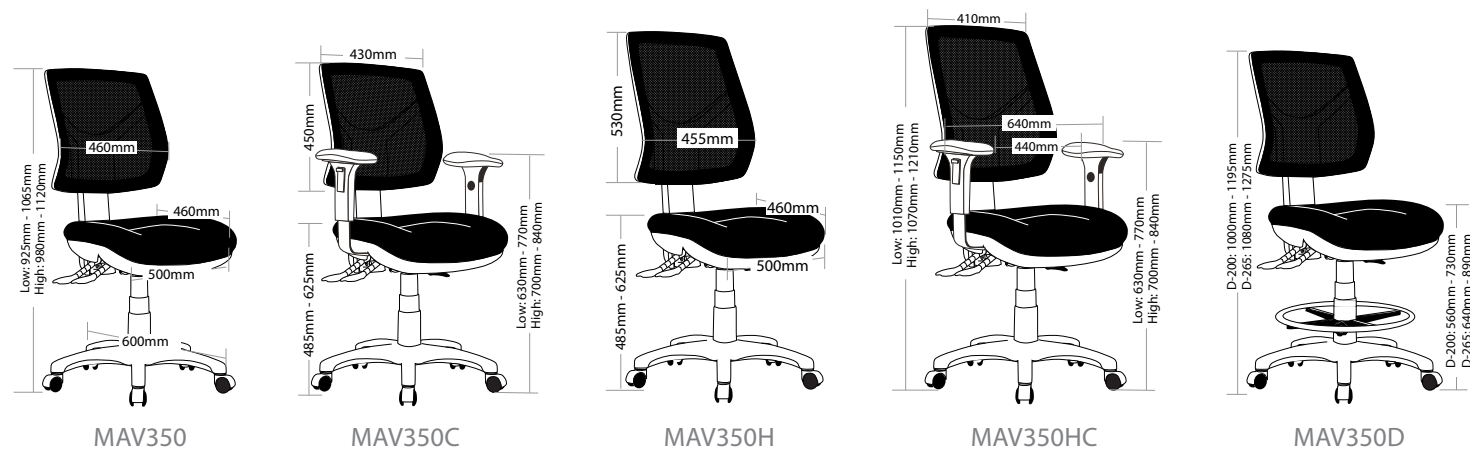
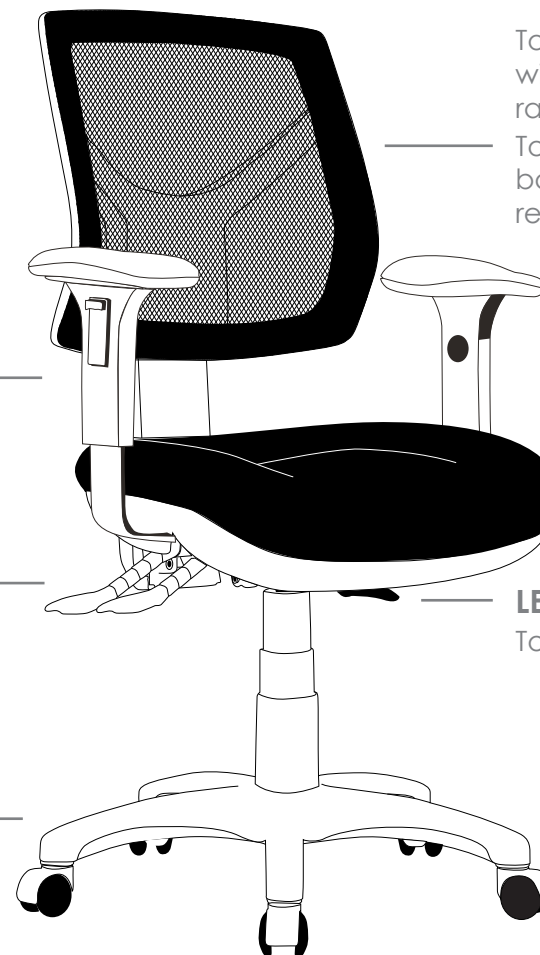
RIGHT BACK LEVER
To adjust back angle

RIGHT FRONT LEVER
To adjust seat height

LEFT LEVER
To adjust seat angle

600MM BLACK NYLON 5 STAR BASE WITH CASTORS

Use soft tyred castors for tiles
Use hard tyred castors for carpet



AVOCA TASK MESH SEATING



MAV350



MAV350C



MAV350H



MAV350HC



MAV350D

R1 TASK MESH SEATING

VESTA



FEATURES

- » Adjustable seat height
- » Adjustable back height (ratchet)
- » Adjustable seat angle (with 3 lever mechanism only)
- » Adjustable back angle
- » Optional adjustable arms
- » Optional seat depth (seat slider) (not available on drafting chair)
- » Optional drafting kit
- » Optional 2 or 3 lever mechanism
- » Available in high and low back
- » Moulded seat foam
- » Mesh back
- » Square seat
- » 660mm black nylon base
- » Available in local fabrics
- » Back mesh available in Jazz mesh
- » AFRDI tested to level 6
- » Suitable for indoor use only
- » 7 year warranty
- » Weight limit is 130kg

INDOOR USE ONLY

✗ Do not use as a step ladder

To adjust back height hold back with two hands while seated and raise to desired height
 To lower the back height raise back all the way to the top and release slowly

OPTIONAL ADJUSTABLE ARMS

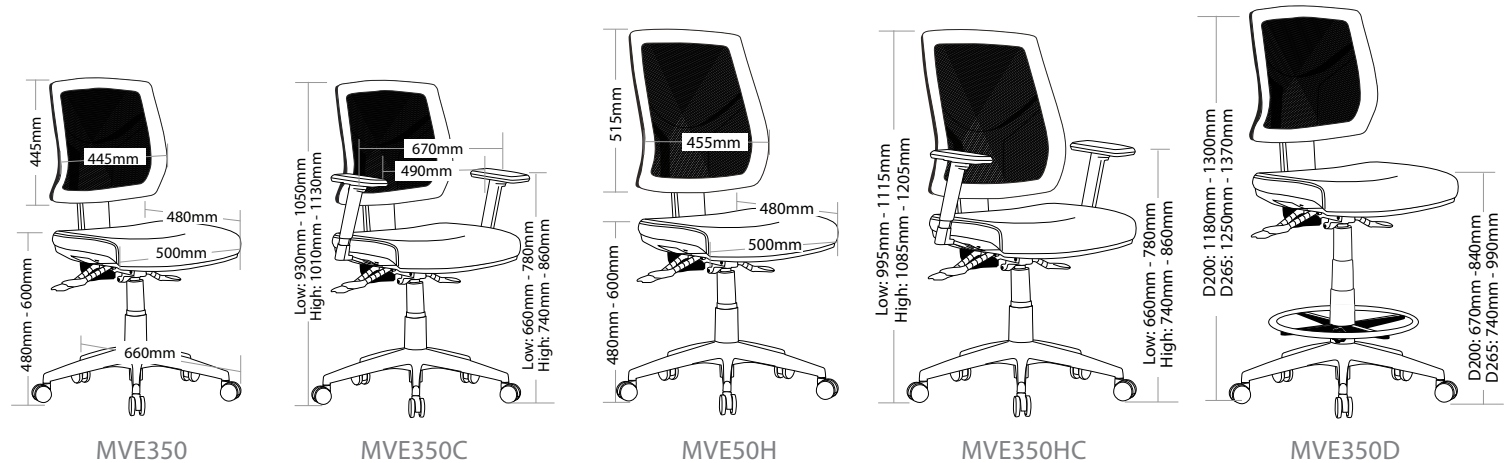
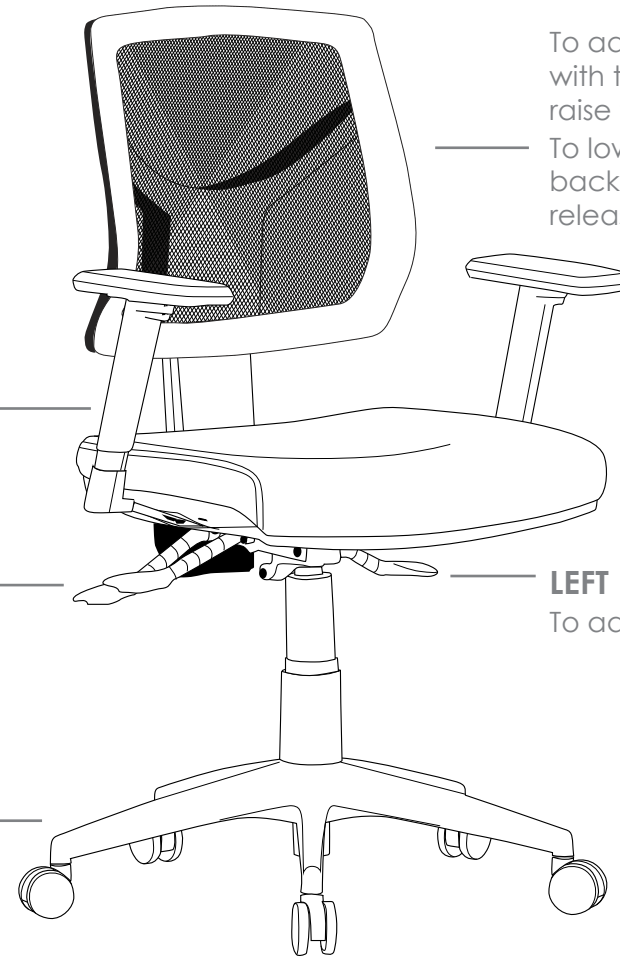
RIGHT BACK LEVER
To adjust back angle

RIGHT FRONT LEVER
To adjust seat height

LEFT LEVER
To adjust seat angle

660MM BLACK NYLON 5 STAR BASE WITH CASTORS

Use soft tyred castors for tiles
 Use hard tyred castors for carpet



VESTA TASK MESH SEATING



MVE350



MVE350C



MVE350H



MVE350HC



MVE350D

R1 TASK MESH SEATING

CHELSEA



FEATURES

- » Adjustable seat height
- » Adjustable back height (ratchet)
- » Adjustable back and seat angle
- » Adjustable weight tension
- » Adjustable seat depth (build-in seat slider) (available on MCH450L, MCH450H only)
- » Optional adjustable arms
- » Optional seat depth (seat slider) (not available on drafting chair)
- » Optional drafting kit (not available on MCH450L, MCH450H)
- » Available in high and low back
- » Moulded seat foam
- » Mesh back
- » Big boy seat
- » 3 lever ergonomic heavy duty mechanism
- » 700mm black nylon base
- » Available in local fabrics
- » Back mesh available in Jazz mesh
- » AFRDI tested to level 6
- » Suitable for indoor use only
- » 7 year warranty
- » Weight limit is 140kg

INDOOR USE ONLY

✗ Do not use as a step ladder

OPTIONAL ADJUSTABLE ARMS

RIGHT BACK LEVER
To adjust back angle

RIGHT MIDDLE LEVER
To adjust seat angle

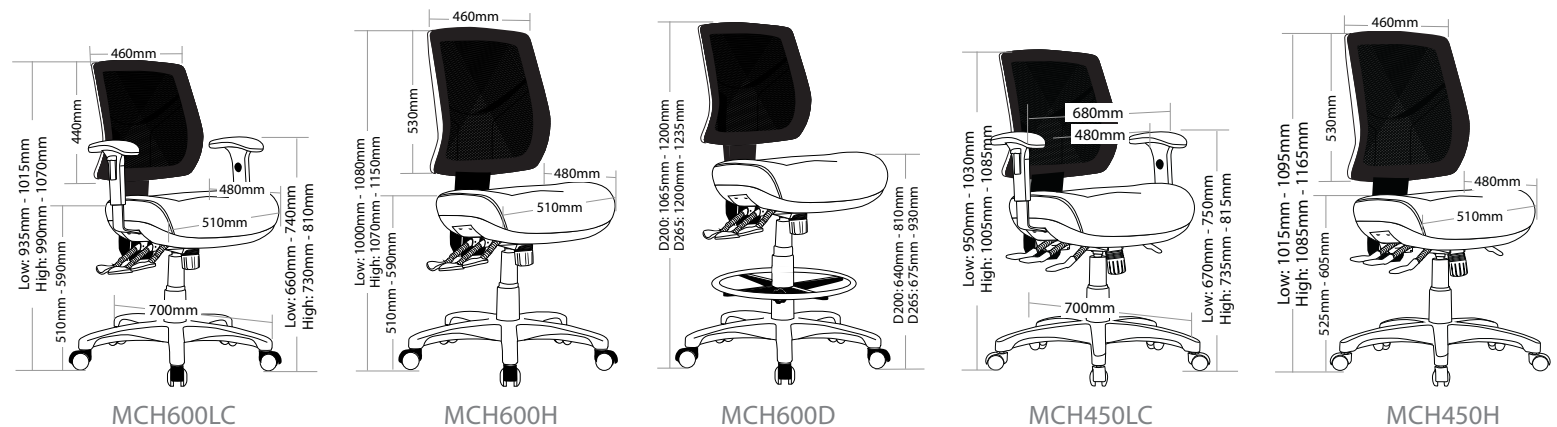
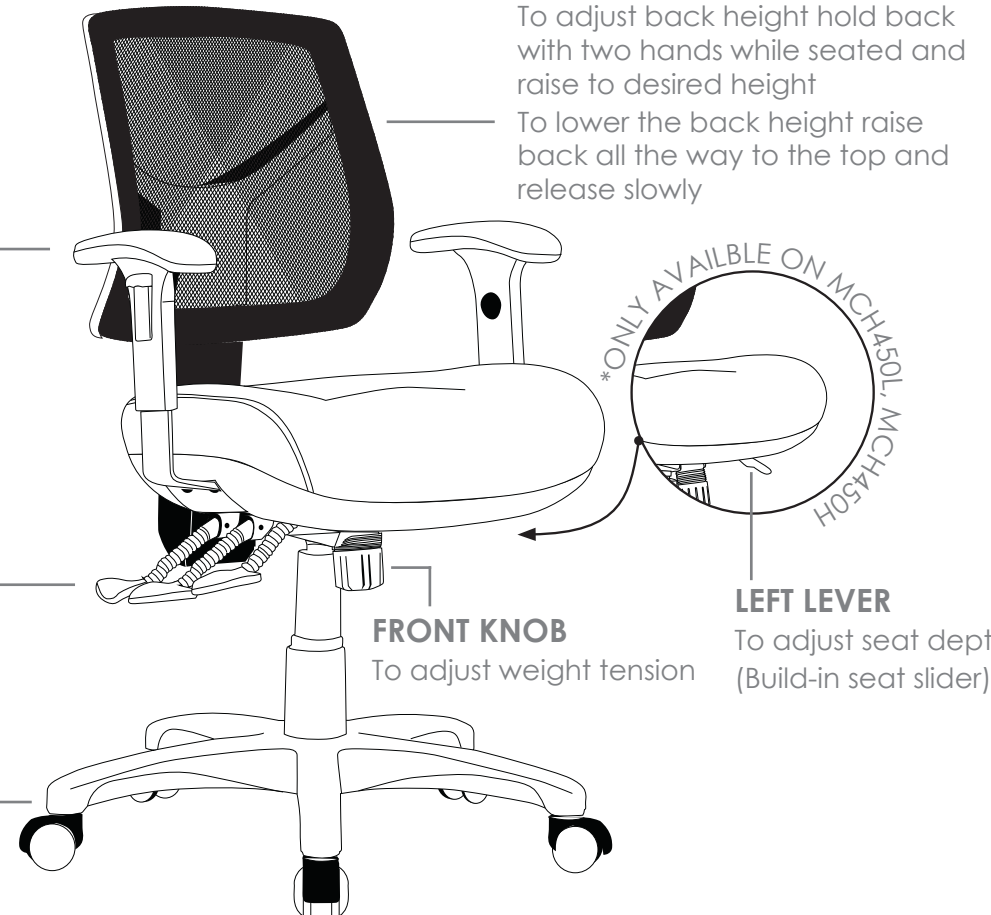
RIGHT FRONT LEVER
To adjust seat height

FRONT KNOB
To adjust weight tension

LEFT LEVER
To adjust seat depth (Build-in seat slider)

700MM BLACK NYLON 5 STAR BASE WITH CASTORS

Use soft tyred castors for tiles
Use hard tyred castors for carpet



CHELSEA TASK MESH SEATING



MCH600L

MCH600HC

MCH600D

MCH450L

MCH450HC

R1 TASK MESH SEATING

MEGA



FEATURES

- » Adjustable seat height
- » Adjustable back height (ratchet)
- » Adjustable back and seat angle
- » Adjustable weight tension
- » Optional adjustable arms
- » Moulded seat foam
- » Mega big boy seat
- » Mesh back
- » Not available with drafting and seat slider
- » 3 lever ergonomic heavy duty mechanism
- » 700mm black nylon base
- » Available in local fabrics
- » Back mesh available in Jazz mesh
- » AFRDI tested to level 6
- » Suitable for indoor use only
- » 7 year warranty
- » Weight limit is 140kg

INDOOR USE ONLY

✗ Do not use as a step ladder

OPTIONAL
ADJUSTABLE ARMS

RIGHT BACK LEVER
To adjust back angle

RIGHT MIDDLE LEVER
To adjust seat angle

RIGHT FRONT LEVER
To adjust seat height

700MM BLACK NYLON 5 STAR
BASE WITH CASTORS

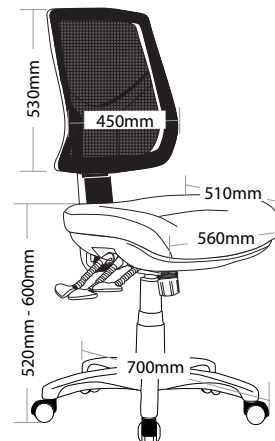
Use soft tyred castors for tiles
Use hard tyred castors for carpet

To adjust back height hold back with two hands while seated and raise to desired height

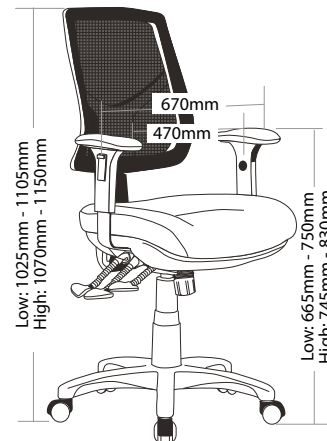
To lower the back height raise back all the way to the top and release slowly

FRONT KNOB

To adjust weight tension



MEGA



MEGA-C

MEGA TASK MESH SEATING



MEGA



MEGA-C



BACK VIEW

R2 TASK SEATING

PRESTIGE



FEATURES

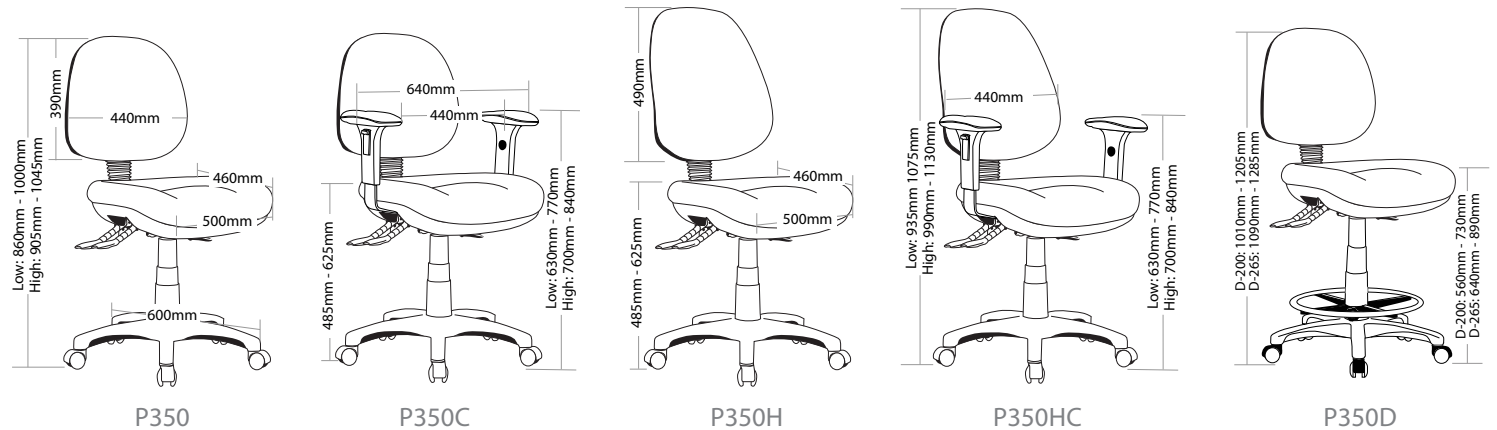
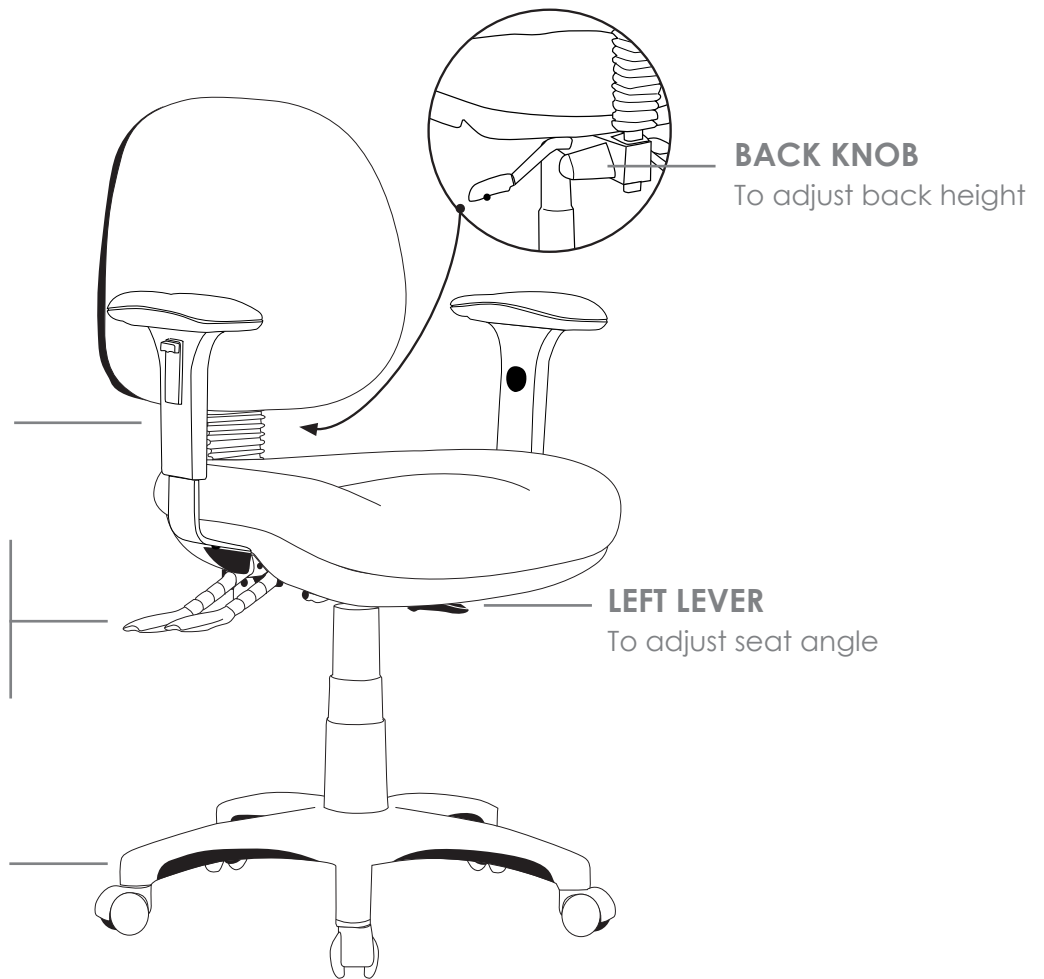
- » Adjustable seat height
- » Adjustable back height
- » Adjustable seat angle (with 3 lever mechanism only)
- » Adjustable back angle
- » Optional adjustable arms
- » Optional seat depth (seat slider) (not available on drafting chair)
- » Optional drafting kit
- » Optional 2 or 3 lever mechanism
- » Available in high and low back
- » Moulded seat and back foam
- » Java seat
- » 600mm black nylon base
- » Available in local fabrics
- » AFRDI tested to level 6
- » Suitable for indoor use only
- » 7 year warranty
- » Weight limit is 130kg

INDOOR USE ONLY

✗ Do not use as a step ladder

600MM BLACK NYLON 5 STAR BASE WITH CASTORS

Use soft tyred castors for tiles
Use hard tyred castors for carpet



PRESTIGE TASK SEATING



P350



P350C



P350H



P350HC



P350D

R2 TASK SEATING

ORIEL



FEATURES

- » Adjustable seat height
- » Adjustable back height (ratchet)
- » Adjustable seat angle (with 3 lever mechanism only)
- » Adjustable back angle
- » Optional adjustable arms
- » Optional seat depth (seat slider) (not available on drafting chair)
- » Optional drafting kit
- » Optional 2 or 3 lever mechanism
- » Available in high and low back
- » Moulded seat and back foam
- » Java seat
- » 600mm black nylon base
- » Available in local fabrics
- » AFRDI tested to level 6
- » Suitable for indoor use only
- » 7 year warranty
- » Weight limit is 130kg

INDOOR USE ONLY

✗ Do not use as a step ladder

To adjust back height hold back with two hands while seated and raise to desired height
To lower the back height raise back all the way to the top and release slowly

OPTIONAL ADJUSTABLE ARMS

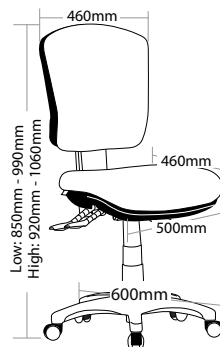
RIGHT BACK LEVER
To adjust back angle

RIGHT FRONT LEVER
To adjust seat height

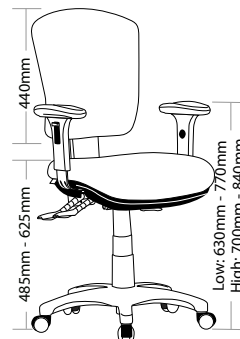
LEFT LEVER
To adjust seat angle

600MM BLACK NYLON 5 STAR BASE WITH CASTORS

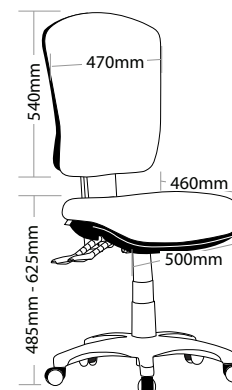
Use soft tyred castors for tiles
Use hard tyred castors for carpet



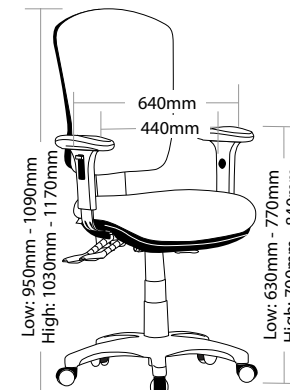
OR350



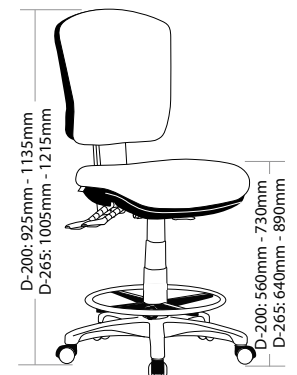
OR350C



OR350H



OR350HC



OR350D

ORIEL TASK SEATING



OR350



OR350C



OR350H



OR350HC



OR350D

R2 TASK SEATING

ALPHA



FEATURES

- » Adjustable seat height
- » Adjustable back height (ratchet)
- » Adjustable seat angle (with 3 lever mechanism only)
- » Adjustable back angle
- » Optional adjustable arms
- » Optional seat depth (seat slider) (not available on drafting chair)
- » Optional drafting kit
- » Optional 2 or 3 lever mechanism
- » Available in high and low back
- » Moulded seat and back foam
- » Java seat
- » 600mm black nylon base
- » Available in local fabrics
- » AFRDI tested to level 6
- » Suitable for indoor use only
- » 7 year warranty
- » Weight limit is 130kg

INDOOR USE ONLY

✗ Do not use as a step ladder

To adjust back height hold back with two hands while seated and raise to desired height
 To lower the back height raise back all the way to the top and release slowly

OPTIONAL ADJUSTABLE ARMS

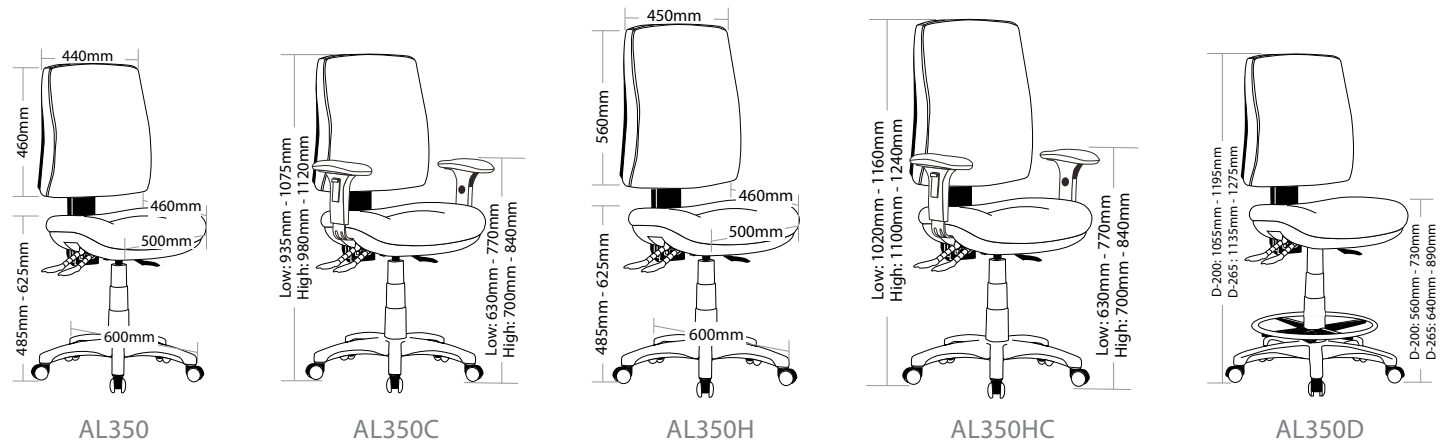
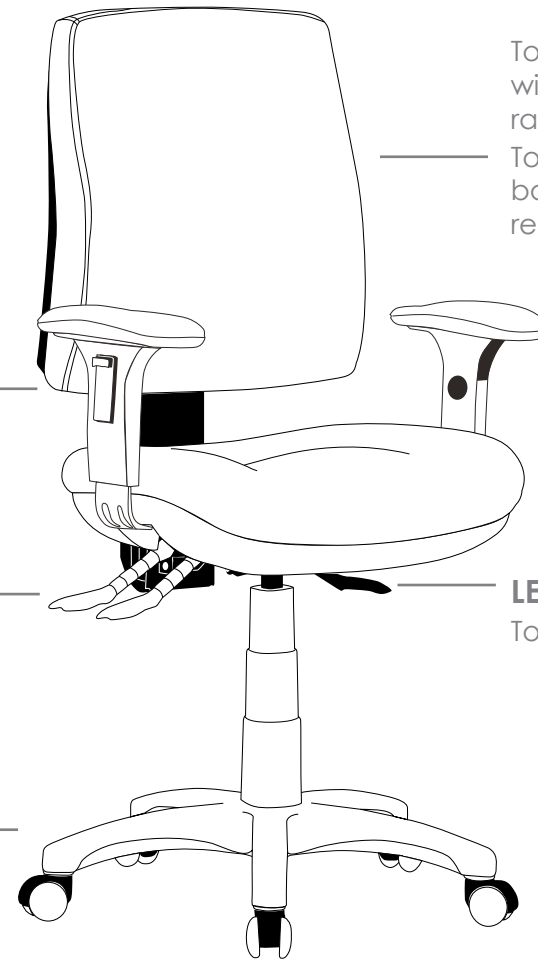
RIGHT BACK LEVER
To adjust back angle

RIGHT FRONT LEVER
To adjust seat height

LEFT LEVER
To adjust seat angle

600MM BLACK NYLON 5 STAR BASE WITH CASTORS

Use soft tyred castors for tiles
 Use hard tyred castors for carpet



ALPHA TASK SEATING



AL350



AL350C



AL350H



AL350HC



AL350D

R2 TASK SEATING

VIRGO

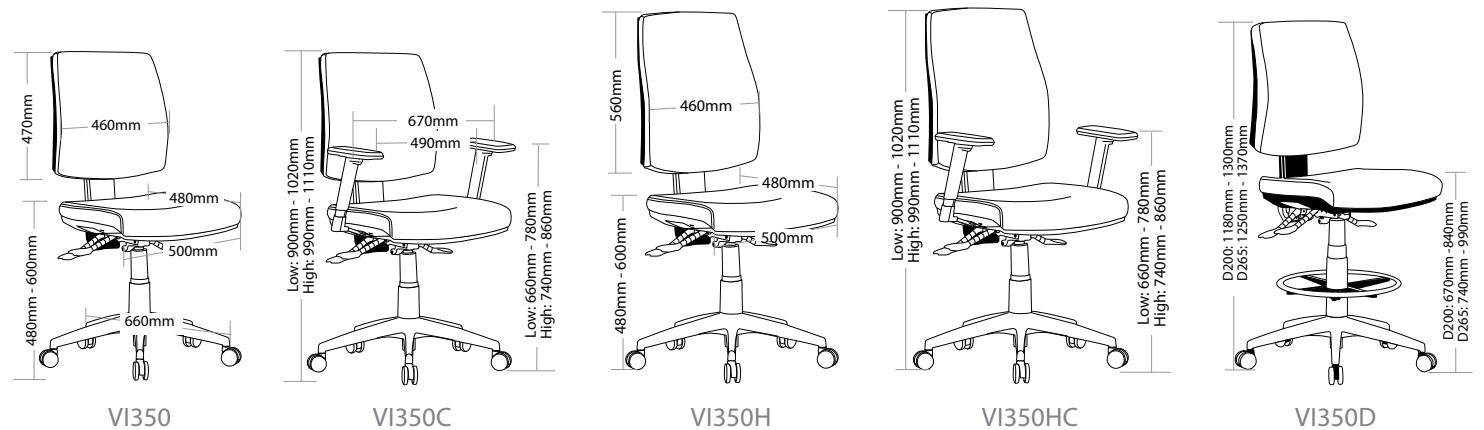
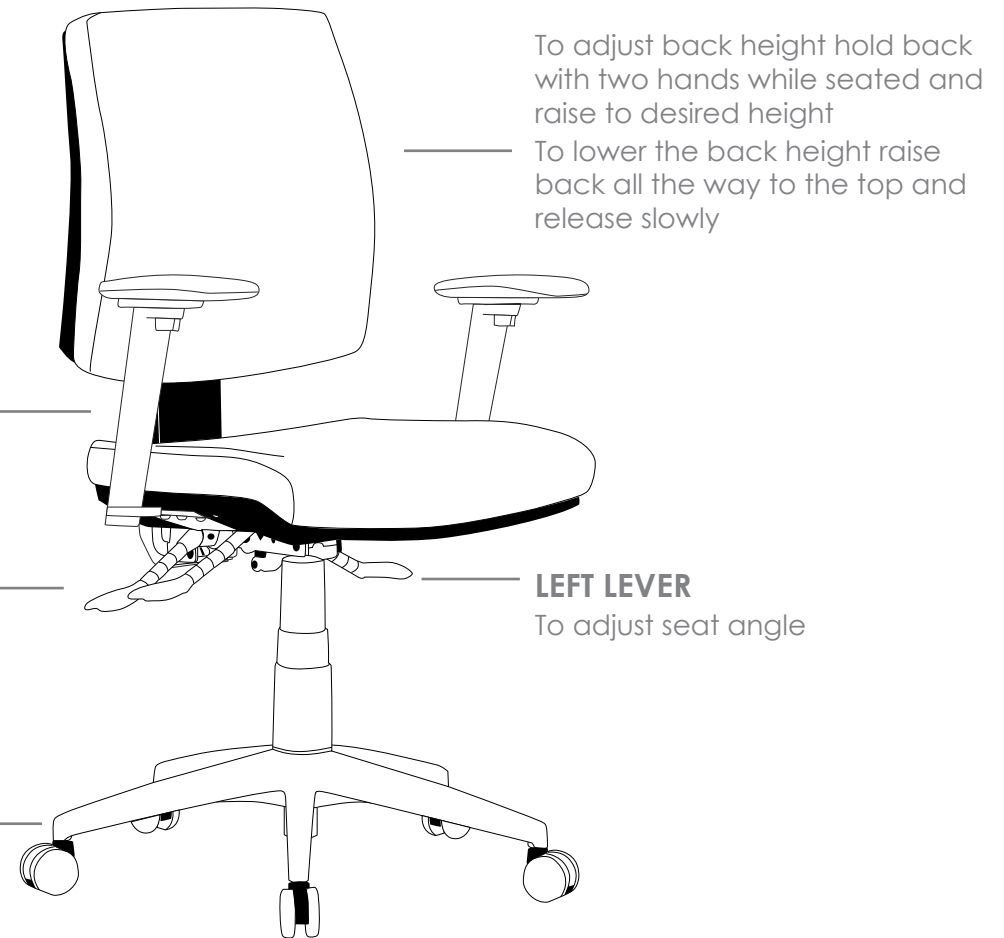


FEATURES

- » Adjustable seat height
- » Adjustable back height (ratchet)
- » Adjustable seat angle (with 3 lever mechanism only)
- » Adjustable back angle
- » Optional adjustable arms
- » Optional seat depth (seat slider) (not available on drafting chair)
- » Optional drafting kit
- » Optional 2 or 3 lever mechanism
- » Available in high and low back
- » Moulded seat and back foam
- » Square seat
- » 660mm black nylon base
- » Available in local fabrics
- » AFRDI tested to level 6
- » Suitable for indoor use only
- » 7 year warranty
- » Weight limit is 130kg

INDOOR USE ONLY

✗ Do not use as a step ladder



VIRGO TASK SEATING



VI350



VI350C



VI350H



VI350HC



VI350D

R2 TASK SEATING

SAFARI



FEATURES

- » Adjustable seat height
- » Adjustable back height (ratchet)
- » Adjustable seat angle (with 3 lever mechanism only)
- » Adjustable back angle
- » Optional adjustable arms
- » Optional seat depth (seat slider) (not available on drafting chair)
- » Optional drafting kit
- » Optional 2 or 3 lever mechanism
- » Available in high and low back
- » Moulded seat and back foam
- » Big boy seat
- » Firm kidney and lumbar support
- » 700mm heavy duty 6 star black nylon base
- » Available in local fabrics
- » Suitable for indoor use only
- » 7 year warranty
- » Weight limit is 130kg

INDOOR USE ONLY

✗ Do not use as a step ladder

OPTIONAL
ADJUSTABLE ARMS

RIGHT BACK LEVER
To adjust back angle

RIGHT FRONT LEVER
To adjust seat height

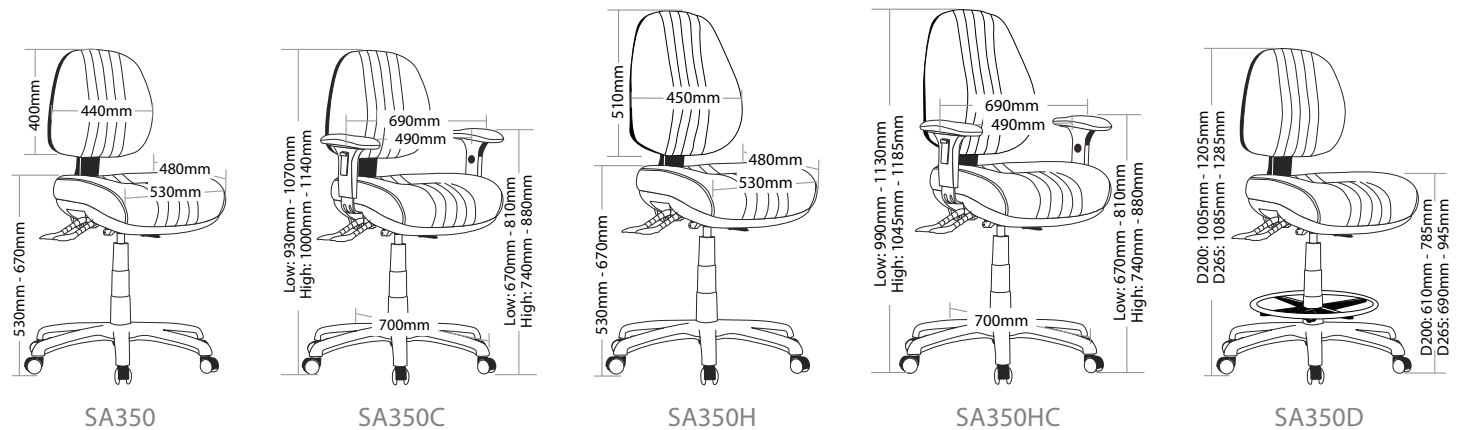
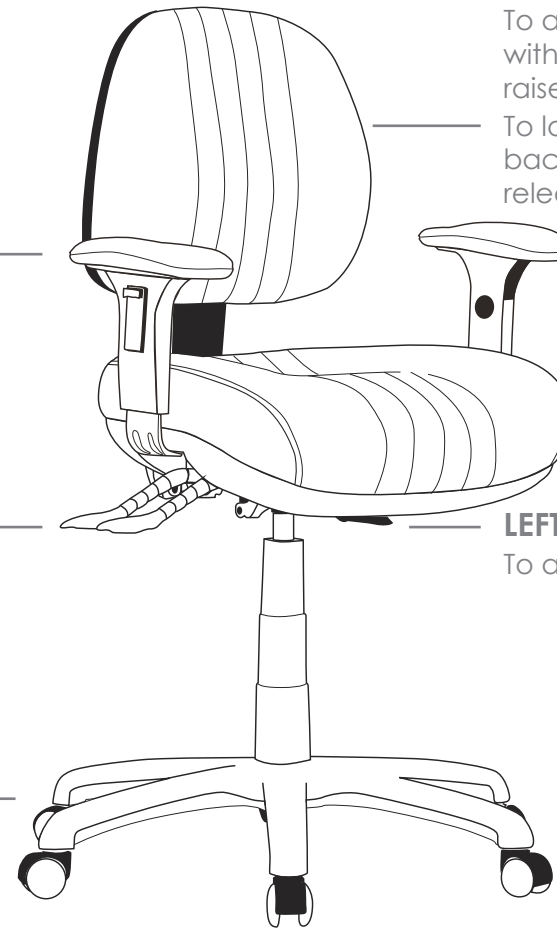
700MM HEAVY DUTY
BLACK NYLON

6 STAR BASE WITH CASTORS

Use soft tyred castors for tiles
Use hard tyred castors for carpet

To adjust back height hold back with two hands while seated and raise to desired height
To lower the back height raise back all the way to the top and release slowly

LEFT LEVER
To adjust seat angle



SAFARI TASK SEATING



SA350

SA350C

SA350H

SA350HC

SA350D

R2 TASK SEATING

GALAXY



FEATURES

- » Adjustable seat height
- » Adjustable back height (ratchet)
- » Adjustable back and seat angle
- » Adjustable weight tension
- » Adjustable seat depth (build-in seat slider) (available on GA450L, GA450H only)
- » Optional adjustable arms
- » Optional seat depth (seat slider) (not available on drafting chair)
- » Optional drafting kit (not available on GA450L, GA450H)
- » Available in high and low back
- » Moulded seat and back foam
- » Big boy seat
- » 3 lever ergonomic heavy duty mechanism
- » 700mm black nylon base
- » Available in local fabrics
- » AFRDI tested to level 6
- » Suitable for indoor use only
- » 7 year warranty
- » Weight limit is 140kg

INDOOR USE ONLY

✗ Do not use as a step ladder

To adjust back height hold back with two hands while seated and raise to desired height

To lower the back height raise back all the way to the top and release slowly

OPTIONAL ADJUSTABLE ARMS

RIGHT BACK LEVER

To adjust back angle

RIGHT MIDDLE LEVER

To adjust seat angle

RIGHT FRONT LEVER

To adjust seat height

FRONT KNOB

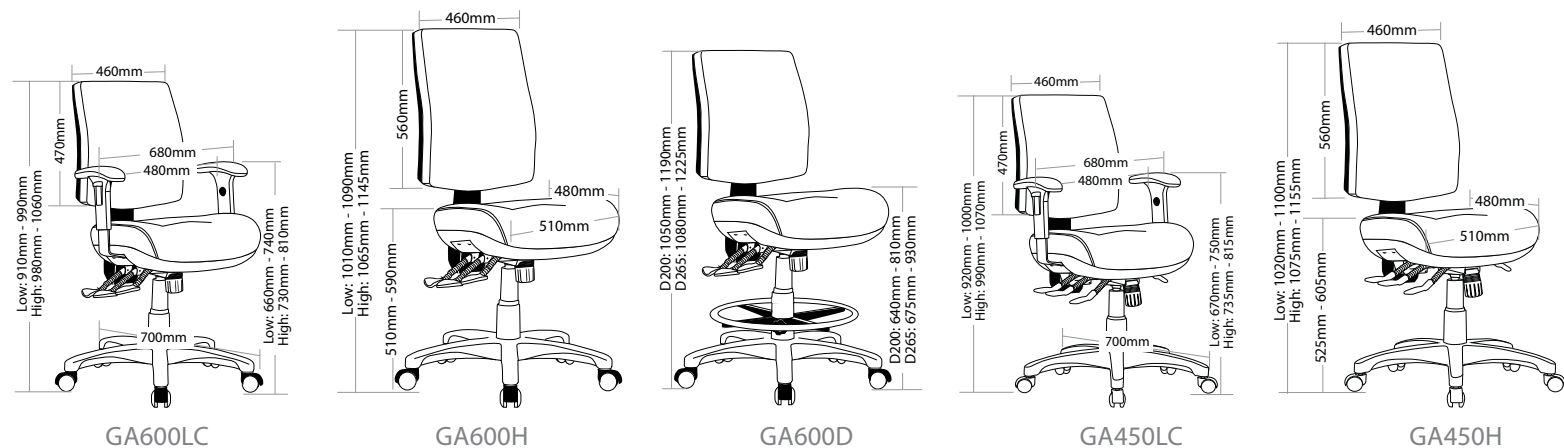
To adjust weight tension

LEFT LEVER

To adjust seat depth (build-in seat slider)

700MM BLACK NYLON 5 STAR BASE WITH CASTORS

Use soft tyred castors for tiles
Use hard tyred castors for carpet



GALAXY TASK SEATING



GA600L

GA600HC

GA600LD

GA450L

GA450HC

R2 TASK SEATING

PROFILE



FEATURES

- » Adjustable seat height
- » Adjustable back height (ratchet)
- » Adjustable back and seat angle
- » Adjustable weight tension
- » Optional adjustable arms
- » Optional seat depth (seat slider) (not available on drafting chair)
- » Optional drafting kit
- » Available in high and low back
- » Moulded seat and back foam
- » Big boy seat
- » 3 lever ergonomic heavy duty mechanism
- » 700mm black nylon base
- » Available in local fabrics
- » AFRDI tested to level 6
- » Suitable for indoor use only
- » 7 year warranty
- » Weight limit is 140kg

INDOOR USE ONLY

✗ Do not use as a step ladder

OPTIONAL
ADJUSTABLE ARMS

RIGHT BACK LEVER
To adjust back angle

RIGHT MIDDLE LEVER
To adjust seat angle

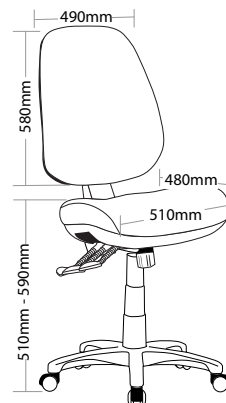
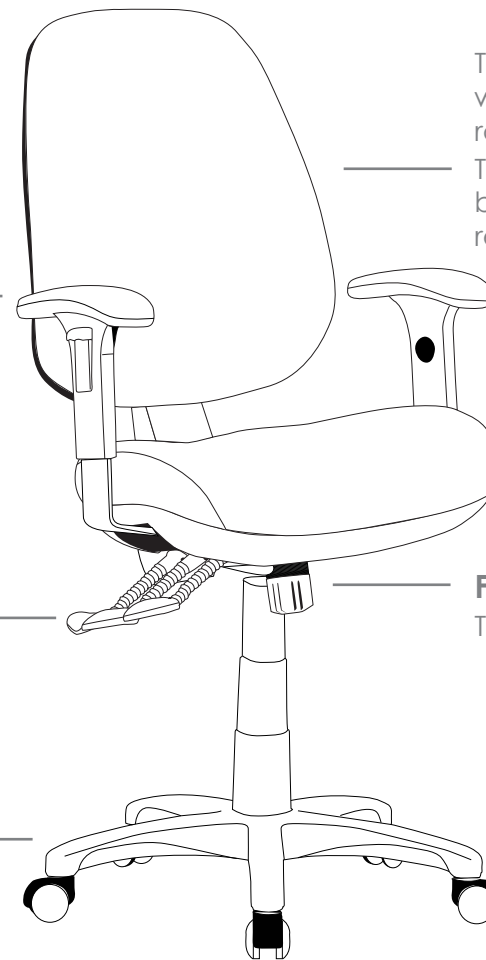
RIGHT FRONT LEVER
To adjust seat height

700MM BLACK NYLON 5 STAR
BASE WITH CASTORS

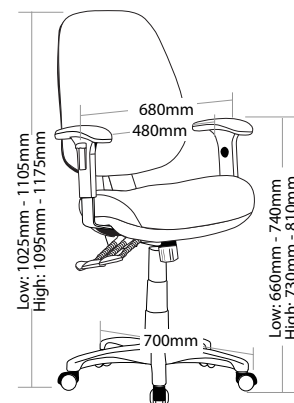
Use soft tyred castors for tiles
Use hard tyred castors for carpet

To adjust back height hold back with two hands while seated and raise to desired height
To lower the back height raise back all the way to the top and release slowly

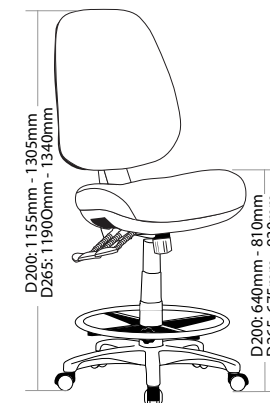
FRONT KNOB
To adjust weight tension



PR600



PR600C



PR600D

PROFILE TASK SEATING



PR600



PR600C



PR600D

R2 TASK SEATING

EPIC



FEATURES

- » Adjustable seat height
- » Adjustable back height (ratchet)
- » Adjustable back and seat angle
- » Adjustable weight tension
- » Optional adjustable arms
- » Moulded seat and back foam
- » Mega big boy seat
- » Not available with drafting and seat slider
- » 3 lever ergonomic heavy duty mechanism
- » 700mm black nylon base
- » Available in local fabrics
- » AFRDI tested to level 6
- » Suitable for indoor use only
- » 7 year warranty
- » Weight limit is 140kg

INDOOR USE ONLY

X Do not use as a step ladder

To adjust back height hold back with two hands while seated and raise to desired height
To lower the back height raise back all the way to the top and release slowly

OPTIONAL ADJUSTABLE ARMS

RIGHT BACK LEVER
To adjust back angle

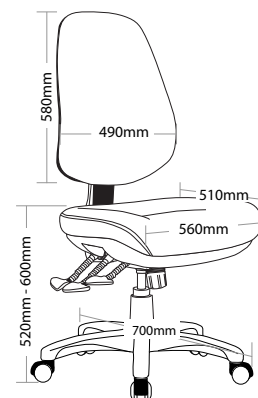
RIGHT MIDDLE LEVER
To adjust seat angle

RIGHT FRONT LEVER
To adjust seat height

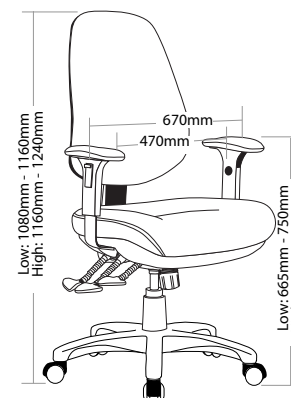
FRONT KNOB
To adjust weight tension

700MM BLACK NYLON 5 STAR BASE WITH CASTORS

Use soft tyred castors for tiles
Use hard tyred castors for carpet



EPIC



EPIC-C

EPIC TASK SEATING



EPIC



EPIC-C



BACK VIEW

R2 TASK SEATING

SPIRAL



FEATURES

- » Adjustable seat height
- » Adjustable back height (ratchet)
- » Adjustable back and seat angle
- » Adjustable weight tension
- » Optional adjustable arms
- » Moulded seat and back foam
- » Mega big boy seat
- » Not available with drafting and seat slider
- » 3 lever ergonomic heavy duty mechanism
- » 700mm black nylon base
- » Available in local fabrics
- » AFRDI tested to level 6
- » Suitable for indoor use only
- » 7 year warranty
- » Weight limit is 140kg

INDOOR USE ONLY

✗ Do not use as a step ladder

OPTIONAL ADJUSTABLE ARMS

RIGHT BACK LEVER
To adjust back angle

RIGHT MIDDLE LEVER
To adjust seat angle

RIGHT FRONT LEVER
To adjust seat height

To adjust back height hold back with two hands while seated and raise to desired height

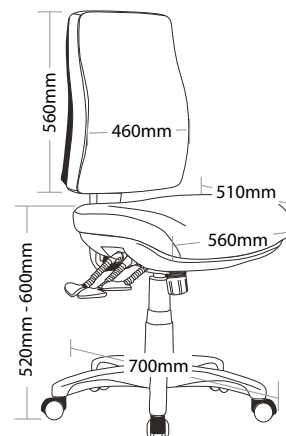
To lower the back height raise back all the way to the top and release slowly

FRONT KNOB

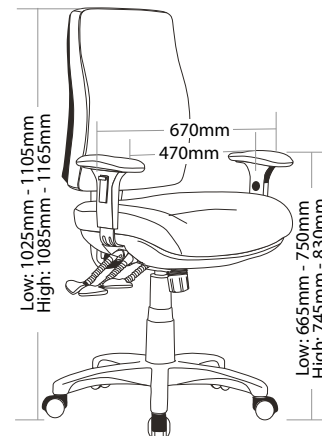
To adjust weight tension

700MM BLACK NYLON 5 STAR BASE WITH CASTORS

Use soft tyred castors for tiles
Use hard tyred castors for carpet



SPIRAL



SPIRAL-C

SPIRAL TASK SEATING



SPIRAL



SPIRAL-C



BACK VIEW

R2 TASK SEATING

COMFORT



FEATURES

- » Adjustable seat height
- » Adjustable back height (ratchet)
- » Adjustable back and seat angle
- » Adjustable weight tension
- » Optional adjustable arms
- » Moulded seat and back foam
- » Mega big boy seat
- » Not available with drafting and seat slider
- » 3 lever ergonomic heavy duty mechanism
- » 700mm heavy duty 6 star black nylon base
- » Available in local fabrics
- » Suitable for indoor use only
- » 5 year warranty
- » Weight limit is 150kg

INDOOR USE ONLY

X Do not use as a step ladder

OPTIONAL ADJUSTABLE ARMS

RIGHT BACK LEVER
To adjust back angle

RIGHT MIDDLE LEVER
To adjust seat angle

RIGHT FRONT LEVER
To adjust seat height

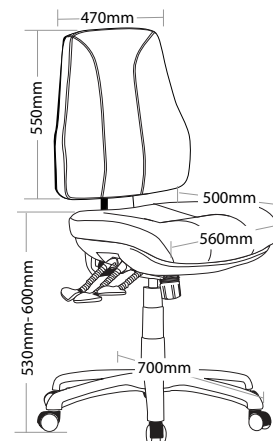
700MM BLACK NYLON 6 STAR BASE WITH CASTORS

Use soft tyred castors for tiles
Use hard tyred castors for carpet

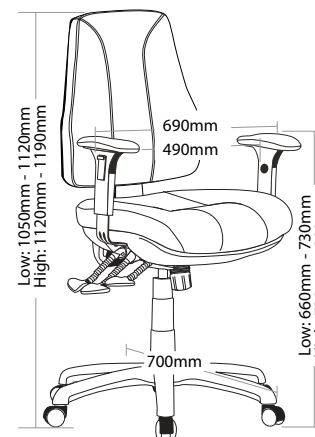
To adjust back height hold back with two hands while seated and raise to desired height
To lower the back height raise back all the way to the top and release slowly

FRONT KNOB

To adjust weight tension



COMFORT



COMFORT-C

COMFORT TASK SEATING



COMFORT



COMFORT-C



BACK VIEW

R2 TASK SEATING

MOLTA



FEATURES

- » Adjustable seat height
- » Adjustable back height (ratchet)
- » Adjustable back and seat angle
- » Adjustable weight tension
- » Optional adjustable arms
- » Moulded seat and back foam
- » Mega big boy seat
- » Not available with drafting and seat slider
- » 3 lever ergonomic heavy duty mechanism
- » 700mm heavy duty black 6 star nylon base
- » Available in local fabrics
- » Suitable for indoor use only
- » 5 year warranty
- » Weight limit is 150kg

INDOOR USE ONLY

X Do not use as a step ladder

OPTIONAL ADJUSTABLE ARMS

RIGHT BACK LEVER
To adjust back angle

RIGHT MIDDLE LEVER
To adjust seat angle

RIGHT FRONT LEVER
To adjust seat height

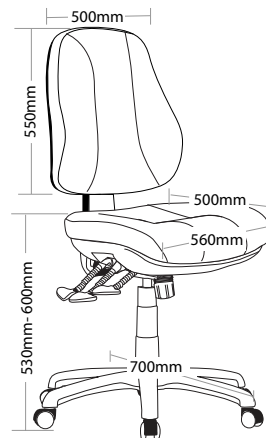
To adjust back height hold back with two hands while seated and raise to desired height
To lower the back height raise back all the way to the top and release slowly

FRONT KNOB

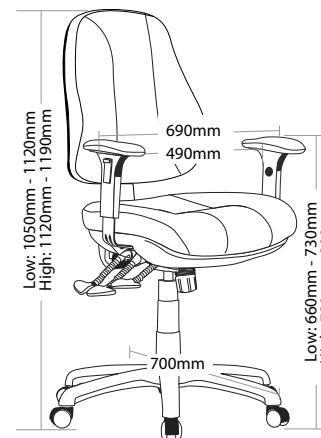
To adjust weight tension

700MM BLACK NYLON 6 STAR BASE WITH CASTORS

Use soft tyred castors for tiles
Use hard tyred castors for carpet



MOLTA



MOLTA-C

MOLTA TASK SEATING



MOLTA



MOLTA-C



BACK VIEW

R3 MULTI SHIFT SEATING

ROTARY



FEATURES

- » Available in 2 seat widths
- » High density foam
- » Plastic under pan
- » Heavy duty black textured metal frame
- » Available in local fabrics
- » Optional frame or base colour (please allow 5 more days)
- » Suitable for indoor use only
- » 7 Year warranty
- » Weight limit is 200kg

INDOOR USE ONLY

✘ Do not use as a step ladder

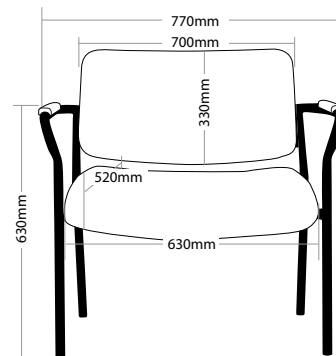
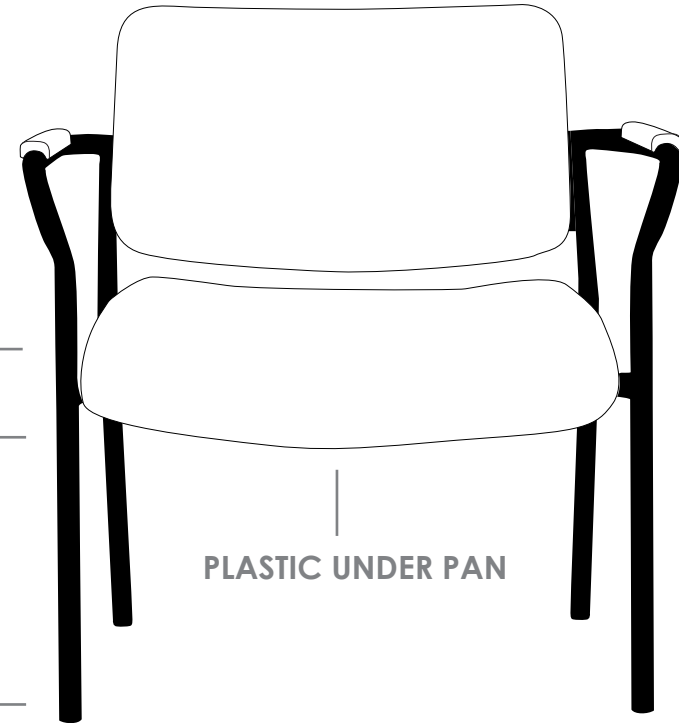
HIGH DENSITY FOAM

HEAVY DUTY FRAME

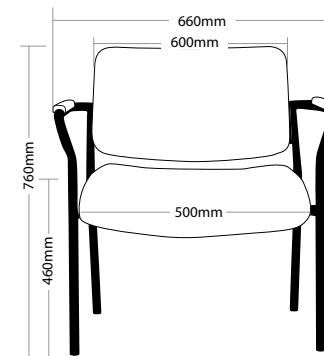
Textured metal frame
with black finish

PLASTIC UNDER PAN

Keep a permanent contact
between base of chair and floor



ROTARY-700



ROTARY-600

ROTARY MULTI SHIFT SEATING



ROTARY-700



ROTARY-600



SIDE VIEW

R3 MULTI SHIFT SEATING

MULTI



FEATURES

- » Adjustable seat height
- » Adjustable back height (ratchet) (available in low back only)
- » Adjustable seat and back angle
- » Adjustable seat depth (seat slider)
- » Adjustable arms
- » Available in high, medium and low back
- » Moulded seat foam
- » Mesh back
- » 700mm aluminium base
- » 4 lever ergonomic mechanism
- » Available in local fabrics
- » Optional frame or base colour (please allow 5 more days)
- » Suitable for indoor use only
- » 10 year warranty
- » Weight limit is 140kg

INDOOR USE ONLY

✗ Do not use as a step ladder

ADJUSTABLE ARMS

RIGHT BACK KNOB

To adjust seat depth (seat slider)

RIGHT BACK LEVER

To adjust back angle

RIGHT MIDDLE LEVER

To adjust seat angle

RIGHT FRONT LEVER

To adjust seat height

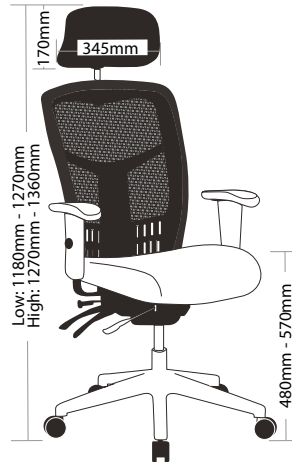
700MM ALUMINIUM 5 STAR BASE WITH CASTORS

Use soft tyred castors for tiles
Use hard tyred castors for carpet

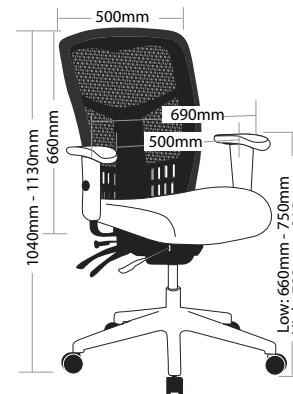


To adjust back height hold back with two hands while seated and raise to desired height

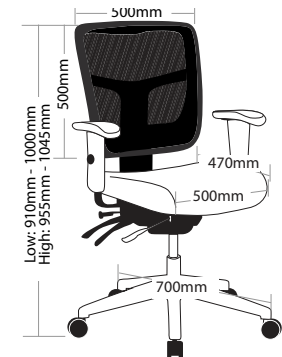
To lower the back height raise back all the way to the top and release slowly (LOW BACK ONLY)



MUEX1H



MUEX1M



MUEX1L

MULTI, MULTI SHIFT SEATING



MUEX1H



MUEX1M



MUEX1L

** Please note that the Headrest should not be used to manoeuvre the chair.*

R3 MULTI SHIFT SEATING

ROVER



FEATURES

- » Adjustable seat height
- » Adjustable back height (ratchet)
- » Adjustable seat and back angle
- » Adjustable weight tension
- » Adjustable arms
- » Available in high and low back
- » Moulded seat and back foam
- » 4 lever ergonomic mechanism
- » 700mm black nylon base
- » Available in local fabric
- » Suitable for indoor use only
- » 10 year warranty
- » Weight limit is 140kg

INDOOR USE ONLY

X Do not use as a step ladder

ADJUSTABLE ARMS

RIGHT FOURTH LEVER

To adjust back angle

RIGHT THIRD LEVER

To adjust seat angle

RIGHT SECOND LEVER

To adjust seat height

RIGHT FRONT LEVER

To adjust seat front angle

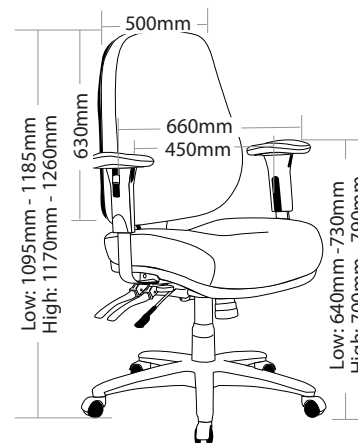
**700MM BLACK NYLON
5 STAR BASE WITH CASTORS**

Use soft tyred castors for tiles
Use hard tyred castors for carpet

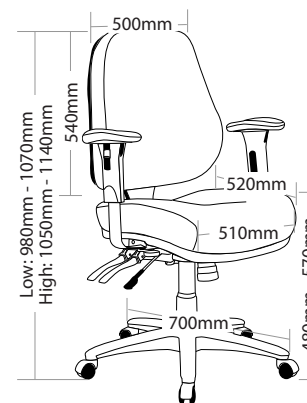
To adjust back height hold back with two hands while seated and raise to desired height
To lower the back height raise back all the way to the top and release slowly

FRONT KNOB

To adjust weight tension



ROVER-2HA



ROVER-2LA

ROVER MULTI SHIFT SEATING



ROVER-2HA



ROVER-2LA



BACK VIEW

R3 MULTI SHIFT SEATING

DUELER



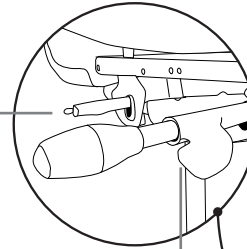
FEATURES

- » Adjustable seat height
- » Adjustable seat and back angle
- » Adjustable seat depth (seat slider)
- » Adjustable weight tension
- » Adjustable headrest
- » Adjustable arms
- » Moulded seat and back foam
- » Saddle seat
- » Double steel strengthened for both seat and back
- » Synchron mechanism with 3 locking positions
- » 720mm aluminium base
- » Brake castors
- » Available in local fabrics
- » AFRDI tested to level 6
- » AFRDI tested to multi shift use 160kg
- » Suitable for indoor use only
- » 7 year warranty
- » Weight limit is 160kg

INDOOR USE ONLY

✗ Do not use as a step ladder

INNER BACK LEVER
To adjust seat angle
(Forwards)



INNER RIGHT LEVER
To adjust seat height

RIGHT KNOB
To adjust weight tension

**720MM ALUMINIUM
5 STAR BASE WITH BRAKE CASTORS**

Use soft tyred castors for tiles
Use hard tyred castors for carpet

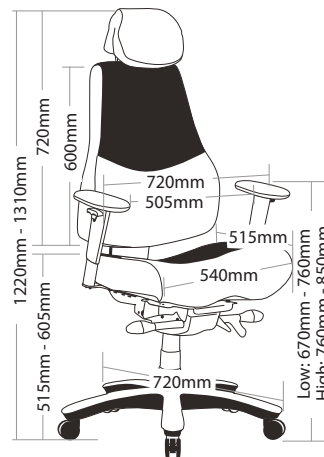
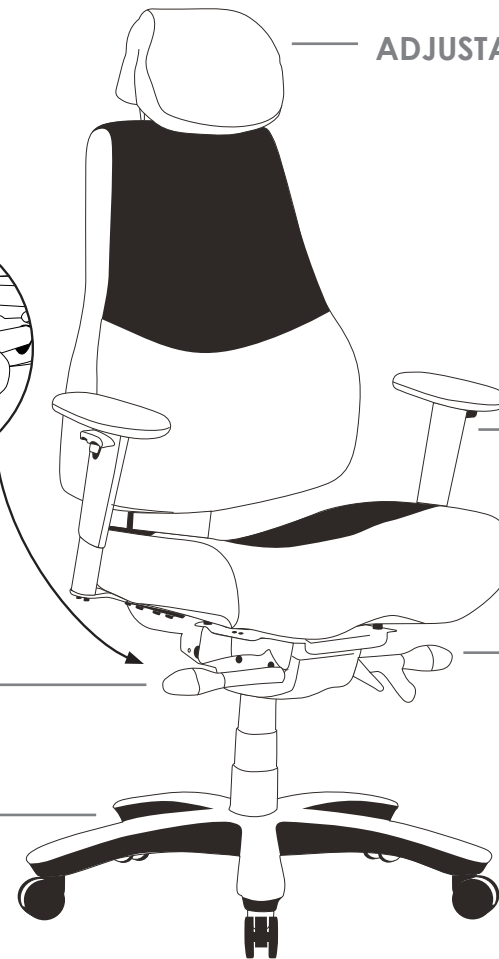
ADJUSTABLE HEADREST

ADJUSTABLE ARMS

LEFT KNOB

To adjust seat and back angle

INNER LEFT LEVER
To adjust seat depth
(seat slider)



DUELER

DUELER MULTI SHIFT SEATING



DUELER



SIDE VIEW



BACK VIEW

** Please note that the Headrest should not be used to manoeuvre the chair.*

R3 MULTI SHIFT SEATING

CONTROL



FEATURES

- » Adjustable seat height
- » Adjustable seat and back angle
- » Adjustable seat depth (seat slider)
- » Adjustable weight tension
- » Adjustable lumbar support
- » Optional headrest
- » Adjustable arms
- » Moulded seat and back foam
- » Saddle seat
- » Double steel strengthened for both seat and back
- » Synchron mechanism with 3 locking positions
- » 720mm aluminium base
- » Brake castors
- » AFRDI tested to level 6
- » Multi shift use 200kg
- » Available in local fabrics
- » Suitable for indoor use only
- » 7 year warranty
- » Weight limit is 200kg

INDOOR USE ONLY

✗ Do not use as a step ladder

INNER BACK LEVER
To adjust seat angle
(Forwards)

INNER RIGHT LEVER
To adjust seat height

BACK KNOB
To adjust lumbar

RIGHT KNOB
To adjust weight tension

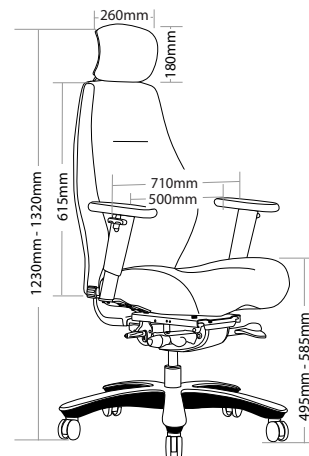
**720MM ALUMINIUM
5 STAR BASE WITH BRAKE CASTORS**

Use soft tyred castors for tiles
Use hard tyred castors for carpet

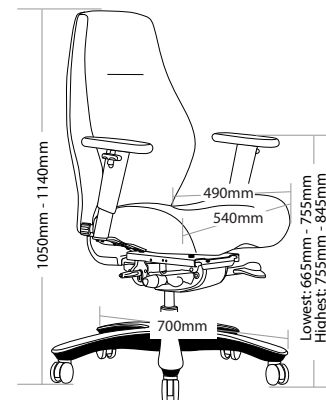
ADJUSTABLE ARMS

LEFT KNOB
To adjust seat and
back angle

INNER LEFT LEVER
To adjust seat depth
(seat slider)



CONTROL-H



CONTROL-L

CONTROL MULTI SHIFT SEATING



CONTROL-H

ADJUSTABLE LUMBAR



CONTROL-L



BACK VIEW

** Please note that the Headrest should not be used to manoeuvre the chair.*

R4 EXECUTIVE SEATING

REGAL

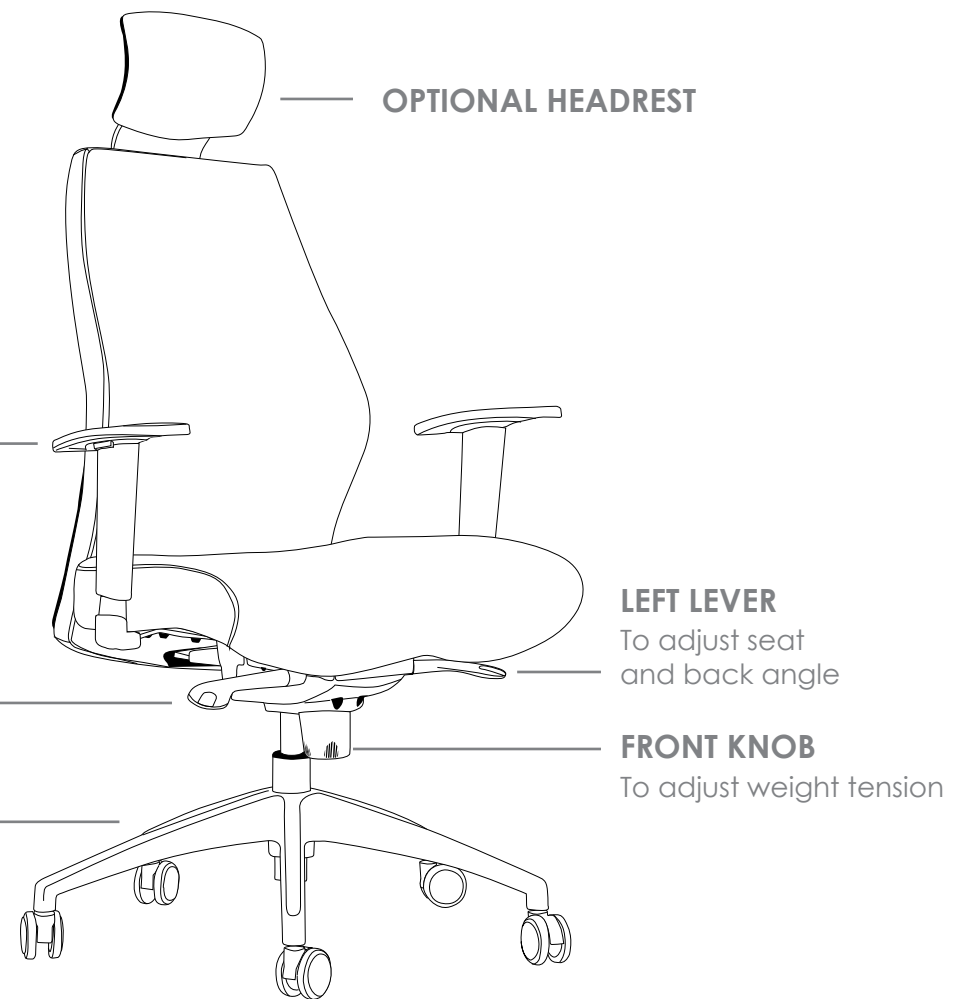


FEATURES

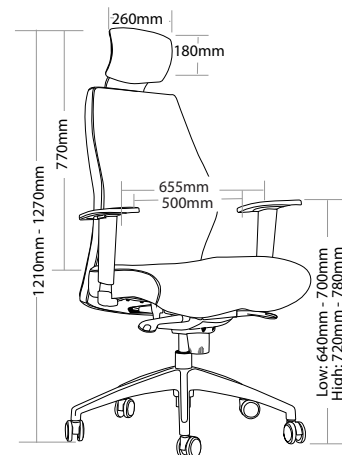
- » Adjustable seat height
- » Adjustable seat and back angle
- » Adjustable weight tension
- » Adjustable chrome arms
- » Optional headrest
- » Moulded back foam
- » Saddle seat
- » Synchron mechanism with 3 locking positions
- » 700mm aluminium base
- » Available in local fabrics
- » Optional frame or base colour (please allow 5 more days)
- » Suitable for indoor use only
- » 5 year warranty
- » Weight limit is 130kg

INDOOR USE ONLY

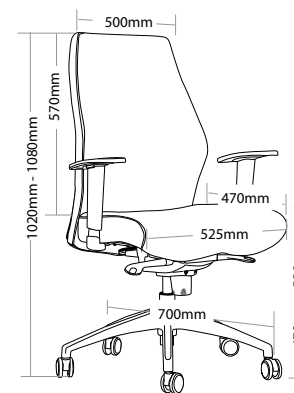
✗ Do not use as a step ladder



700MM ALUMINIUM 5 STAR BASE WITH CASTORS
 Use soft tyred castors for tiles
 Use hard tyred castors for carpet



REGAL-H



REGAL-L

REGAL EXECUTIVE SEATING



REGAL-H



REGAL-L



BACK VIEW

** Please note that the Headrest should not be used to manoeuvre the chair.*

R4 EXECUTIVE SEATING

AUSTIN

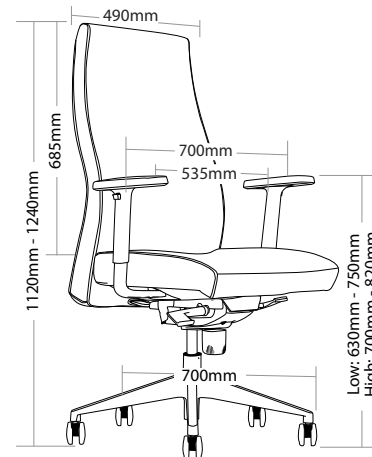
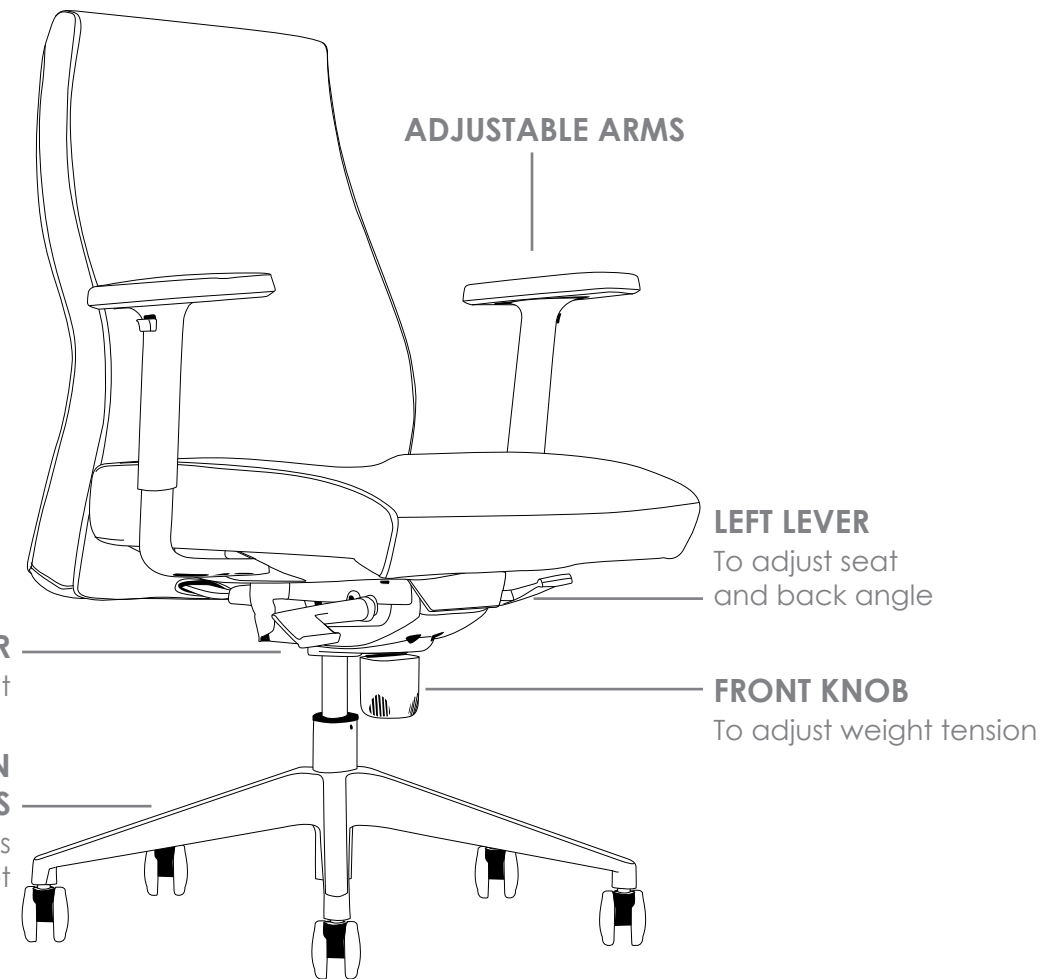


FEATURES

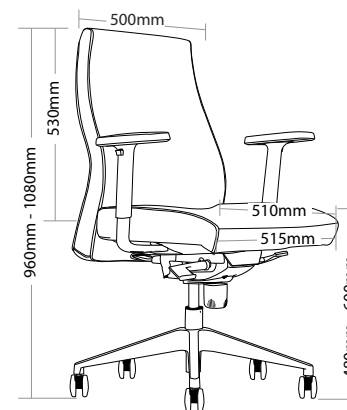
- » Adjustable seat height
- » Adjustable seat and back angle
- » Adjustable weight tension
- » Adjustable arms
- » Available in high and low back
- » Plastic under pan
- » Moulded seat and back foam
- » Synchron mechanism with 3 locking positions
- » 700mm heavy duty black nylon base
- » Available in local fabrics
- » Suitable for indoor use only
- » 5 year warranty
- » Weight limit is 130kg

INDOOR USE ONLY

X Do not use as a step ladder



AUSTIN-H



AUSTIN-L

AUSTIN EXECUTIVE SEATING



AUSTIN-H



AUSTIN-L



BACK VIEW

R4 EXECUTIVE SEATING

PORTO



FEATURES

- » Adjustable seat height
- » Adjustable seat and back angle
- » Adjustable seat depth (seat slider)
- » Adjustable weight tension
- » Adjustable arms
- » Available in high and low back
- » Plastic under pan
- » Moulded seat and back foam
- » Synchron mechanism with 3 locking positions
- » 700mm alloy base
- » Available in local fabrics
- » Optional frame or base colour (please allow 5 more days)
- » Suitable for indoor use only
- » 5 year warranty
- » Weight limit is 130kg

INDOOR USE ONLY

✗ Do not use as a step ladder

ADJUSTABLE ARMS

RIGHT KNOB

To adjust weight tension

INNER RIGHT LEVER

To adjust seat height

700MM ALLOY 5 STAR BASE WITH CASTORS

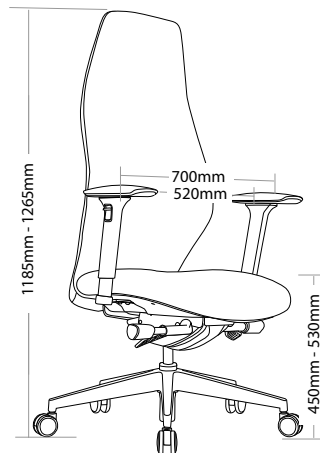
Use soft tyred castors for tiles
Use hard tyred castors for carpet

LEFT KNOB

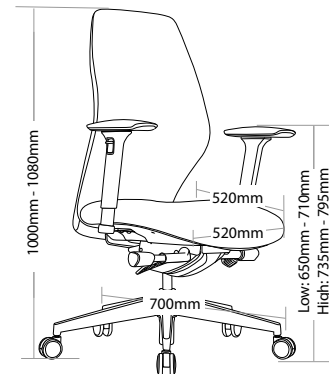
To adjust seat and back angle

INNER LEFT LEVER

To adjust seat depth (seat slider)



PORTO-H



PORTO-L

PORTO EXECUTIVE SEATING



PORTO-H



PORTO-L



BACK VIEW

R4 EXECUTIVE SEATING

ACURA



FEATURES

ACURA-H/ ACURA-L

- » Adjustable seat height
- » Adjustable seat and back angle
- » Adjustable weight tension
- » Available in high and low back
- » Fixed aluminium arms
- » High density foam
- » Knee tilt mechanism with 3 locking positions
- » 700mm aluminium base
- » Available in local fabrics
- » Optional frame or base colour (please allow 5 more days)
- » Suitable for indoor use only
- » 5 year warranty
- » Weight limit is 120kg

ACURA-VC

- » Chrome frame
- » High density foam
- » Available in local fabrics
- » Optional frame or base colour (please allow 5 more days)
- » Suitable for indoor use only
- » 5 year warranty
- » Weight limit is 120kg

INDOOR USE ONLY

X Do not use as a step ladder



RIGHT KNOB

Wind forwards or backwards to adjust weight tension

INNER RIGHT LEVER

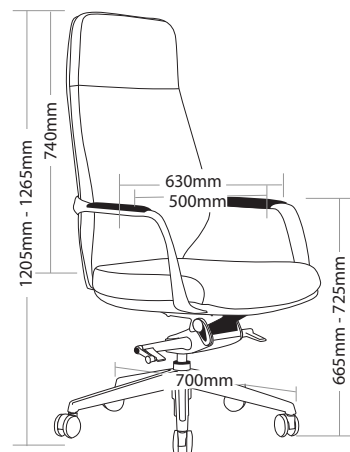
To adjust seat height

LEFT LEVER

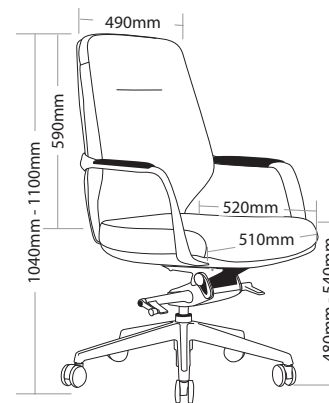
To adjust seat and back angle

700MM ALUMINIUM 5 STAR BASE WITH CASTORS

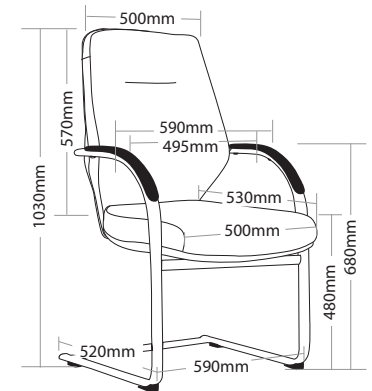
Use soft tyred castors for tiles
Use hard tyred castors for carpet



ACURA-H



ACURA-L



ACURA-VC

ACURA EXECUTIVE SEATING



ACURA-H



ACURA-L



ACURA-VC

R4 EXECUTIVE SEATING

ASSIST



FEATURES

- » Adjustable seat height
- » Adjustable seat and back angle
- » Adjustable seat depth (seat slider)
- » Adjustable weight tension
- » Fixed aluminium arms
- » Available in high and low back
- » Plastic under pan
- » Moulded seat and back foam
- » Synchron mechanism with 3 locking positions
- » 700mm alloy base
- » Available in local fabrics
- » Optional frame or base colour (please allow 5 more days)
- » Suitable for indoor use only
- » 5 year warranty
- » Weight limit is 130kg

INDOOR USE ONLY

X Do not use as a step ladder



RIGHT KNOB

To adjust weight tension

INNER RIGHT LEVER

To adjust seat height

LEFT KNOB

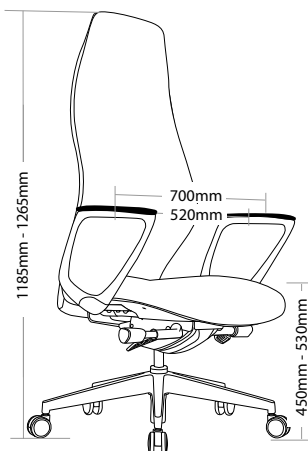
To adjust seat and back angle

INNER LEFT LEVER

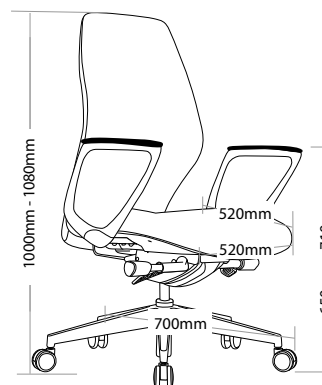
To adjust seat depth (seat slider)

700MM ALLOY 5 STAR BASE WITH CASTORS

Use soft tyred castors for tiles
Use hard tyred castors for carpet



ASSIST-H



ASSIST-L

ASSIST EXECUTIVE SEATING



ASSIST-H



ASSIST-L



BACK VIEW

R5 HOSPITALITY SEATING

ASTRA



FEATURES

- » Padded seat
- » Chrome frame
- » Available in local fabrics
- » Optional frame or base colour (please allow 5 more days)
- » Suitable for indoor use only
- » 3 year warranty
- » Weight limit is 120kg

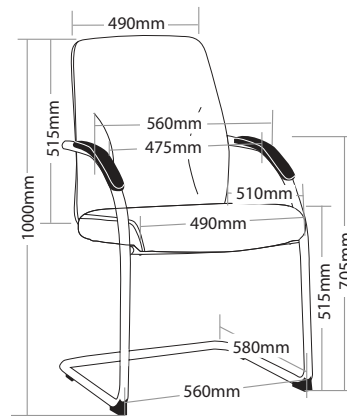
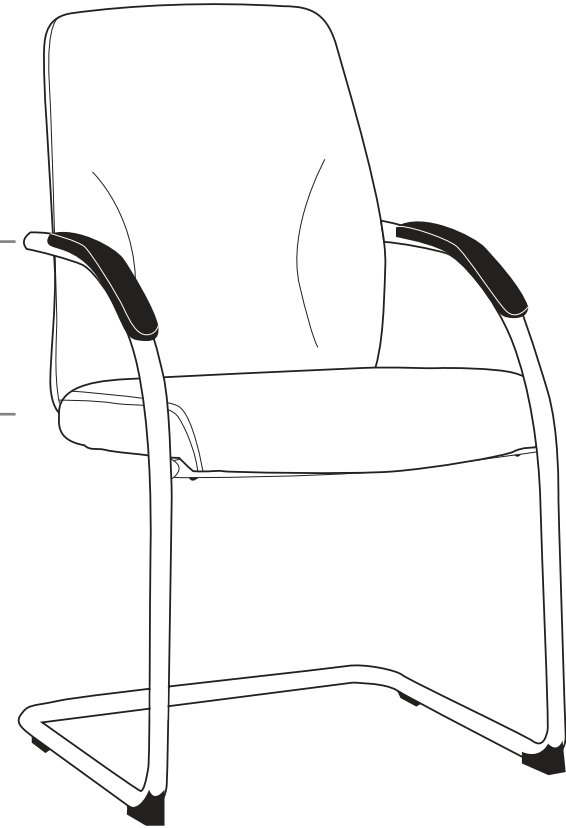
INDOOR USE ONLY

✘ Do not use as a step ladder

CHROME FRAME

PADDED SEAT

Keep a permanent contact between base of chair and floor



ASTRA

ASTRA HOSPITALITY SEATING



ASTRA



SIDE VIEW



BACK VIEW

R5 HOSPITALITY SEATING

FOCUS



FEATURES

- » Optional arms
- » Optional left / right hand tablet arm
- » Optional black metal trolley, easy to move when stacked
- » Available in beam seating
- » Multi purpose stackable client chair
 - » Maximum 10 chairs on trolley
 - » Maximum 5 chairs on floor
 - » Maximum 3 chairs with arms
 - » Not stackable with tablet arms
- » Linkable except with tablet arms or arms
- » Fully strengthened plastic back shell
- » Fully welded frame
- » Available in all local fabrics
- » Optional frame or base colour (please allow 5 more days)
- » BIFMA drop tested
- » Suitable for indoor use only
- » 4 year warranty
- » Weight limit is 120kg

INDOOR USE ONLY

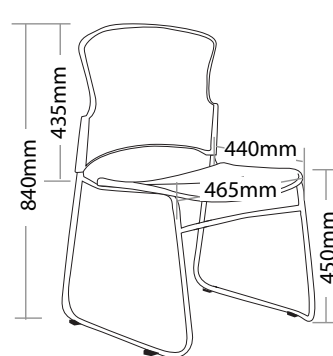
✗ Do not use as a step ladder

WELDED FRAME

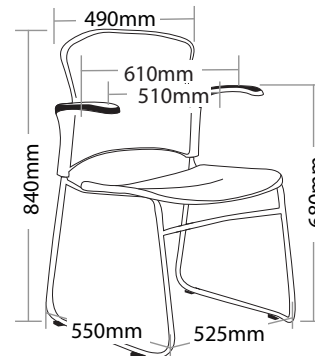
STACKABLE

SLED BASE FRAME

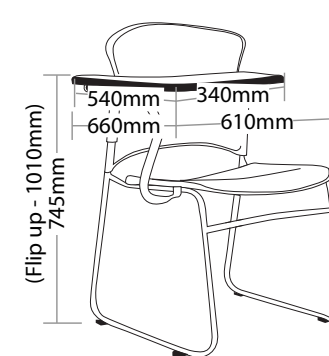
Keep a permanent contact between base of chair and floor



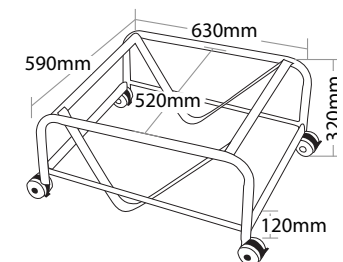
FOC-1U



FOC-1UA



FOC-1UTR



FOC-TRL

FOCUS HOSPITALITY SEATING



FOC-1U



FOC-1UA



FOC-1UTR



FOC-1UTL



FOC-TRL



R5 HOSPITALITY SEATING

VINN



FEATURES

- » Optional plastic or mesh back
- » Optional arms, tablet arm or stool
- » Optional black metal trolley, easy to move when stacked
- » Available in beam seating
- » Stackable
 - » Maximum 10 chairs on trolley
 - » Maximum 5 chairs on floor
 - » Maximum 3 chairs with stools or arms
- » Not stackable with tablet arms or stool with arms
- » Linkable except with tablet arms or arms
- » Chrome finish
- » Black plastic
- » Plastic under pan
- » Solid steel sled base frame
- » Available in all local fabrics
- » Optional frame or base colour (please allow 5 more days)
- » Suitable for indoor use only
- » 4 year warranty
- » Weight limit is 120kg

INDOOR USE ONLY

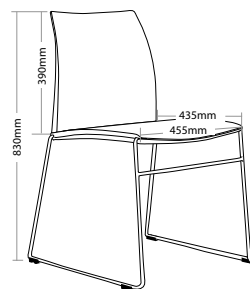
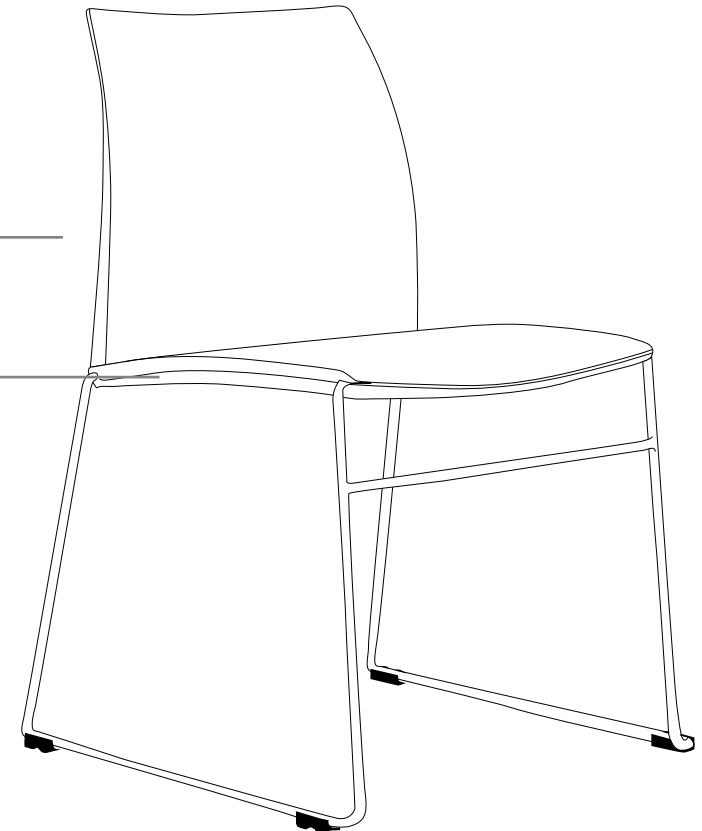
✗ Do not use as a step ladder

STACKABLE

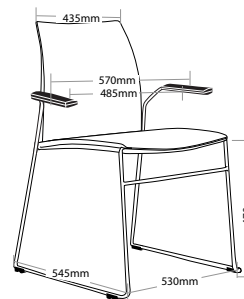
PLASTIC UNDER PAN

SOLID STEEL SLED BASE FRAME

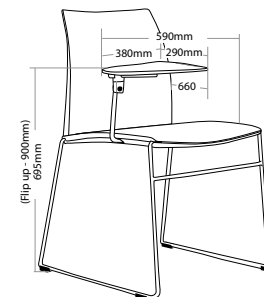
Keep a permanent contact between base of chair and floor



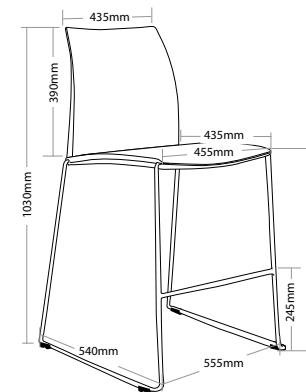
VINN-BU



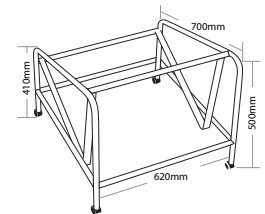
VINN-BUA



VINN-BUT



VINN-BU-ST



VINN-TRL

VINN HOSPITALITY SEATING



VINN-BU



VINN-BUA



VINN-BUT



VINN-BU-ST



VINN-BU-STA



VINN-TRL

VINN MESH



FEATURES

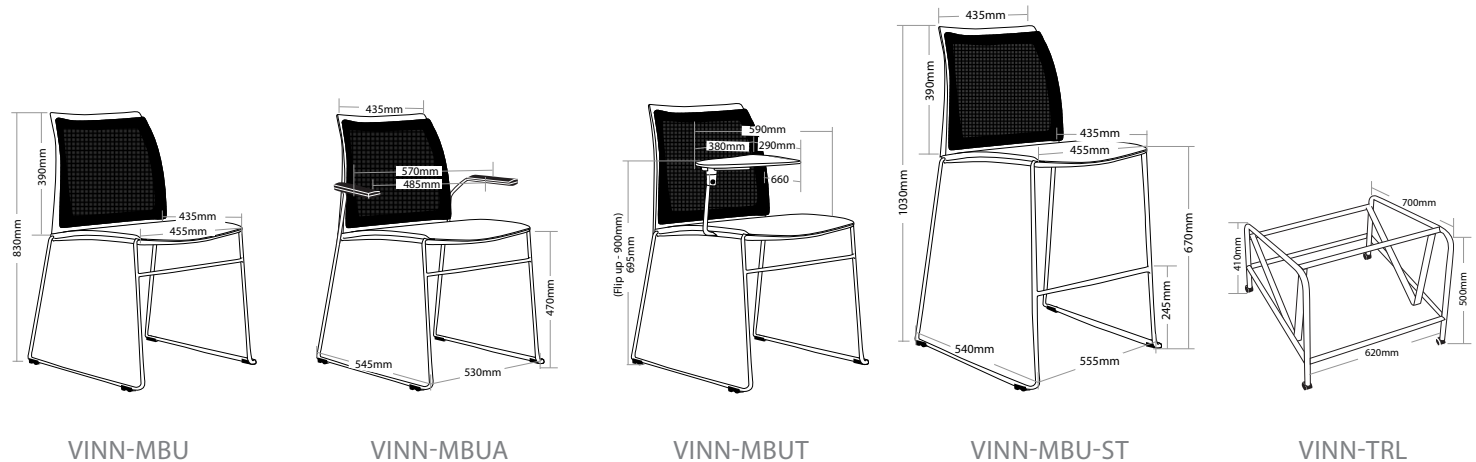
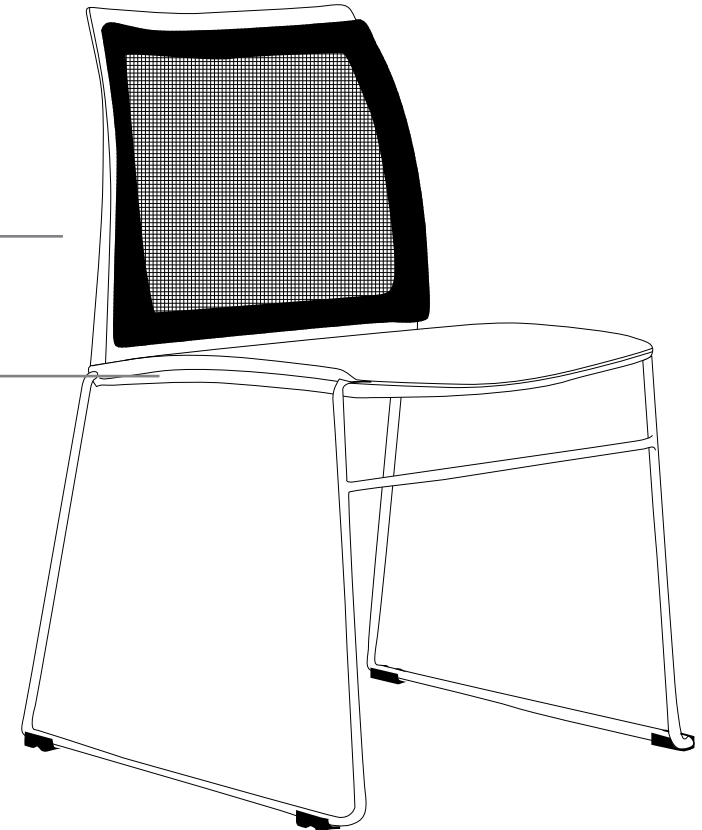
- » Optional plastic or mesh back
- » Optional arms, tablet arm or stool
- » Optional black metal trolley, easy to move when stacked
- » Available in beam seating
- » Stackable
 - » Maximum 10 chairs on trolley
 - » Maximum 5 chairs on floor
 - » Maximum 3 chairs with stools or arms
- » Not stackable with tablet arms or stool with arms
- » Linkable except with tablet arms or arms
- » Chrome finish
- » Black plastic
- » Plastic under pan
- » Solid steel sled base frame
- » Available in all local fabrics
- » Back mesh available in Jazz mesh
- » Optional frame or base colour (please allow 5 more days)
- » Suitable for indoor use only
- » 4 year warranty
- » Weight limit is 120kg

INDOOR USE ONLY

✗ Do not use as a step ladder

STACKABLE
PLASTIC UNDER PAN

SOLID STEEL SLED BASE FRAME
Keep a permanent contact between base of chair and floor



VINN MESH HOSPITALITY SEATING



VINN-MBU



VINN-MBUA



VINN-MBUT



VINN-MBU-ST



VINN-MBU-STA



VINN-TRL

R5 HOSPITALITY SEATING

POD



FEATURES

- » Adjustable seat height (With black base and black base with castors only)
- » Optional upholstered
- » Optional 4 legs with timber finish
- » Optional 4 legs with black finish
- » Optional black base
- » Optional black base with castor
- » Not stackable
- » Available in local fabrics
- » Available in black, red and white plastic shell
- » Optional frame or base colour (please allow 5 more days)
- » Suitable for indoor use only
- » 4 year warranty
- » Weight limit is 120kg

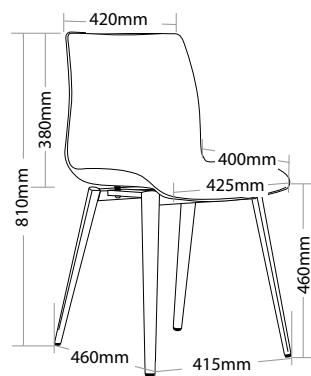
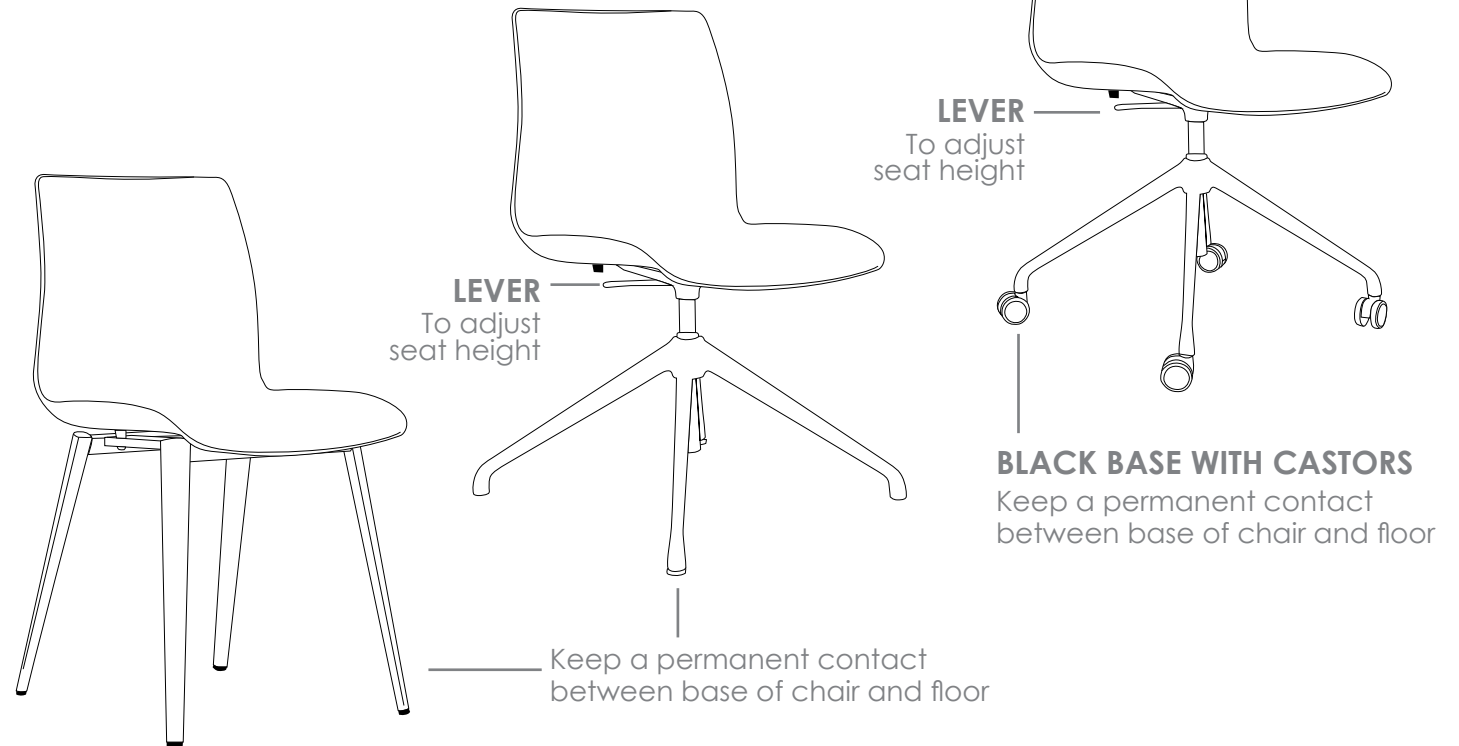
PLASTIC COLOUR



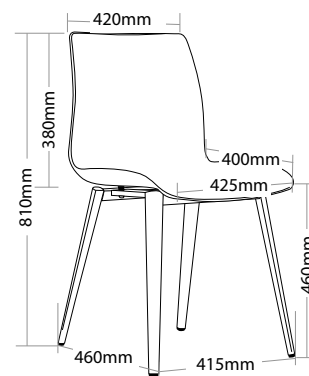
B-Black R-Red W-White

INDOOR USE ONLY

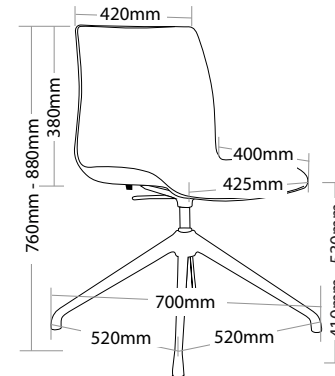
X Do not use as a step ladder



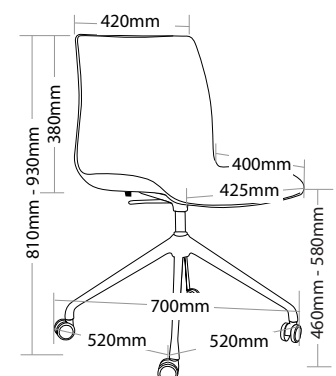
POD-NL



POD-BL



POD-BB



POD-BBC

POD HOSPITALITY SEATING



POD-B-NL



POD-R-BL



POD-W-BB



POD-B-BBC



POD-RU-NL



POD-WU-BL



POD-BU-BB



POD-RU-BBC

R5 HOSPITALITY SEATING

POD 4 LEGS



FEATURES

- » Optional arms
- » Optional tablet arm
- » Optional stool
- » Optional black metal trolley, easy to move when stacked
- » Optional 4 legs or sled base chrome frame
- » Available in beam seating
- » Stackable
 - » Maximum 10 chairs on trolley
 - » Maximum 5 chairs on floor
 - » Maximum 3 chairs with stools or arms
 - » Not stackable with tablet arms
- » Plastic under pan
- » Available in local fabrics
- » Available in black, red and white plastic shell
- » Optional frame or base colour (please allow 5 more days)
- » Suitable for indoor use only
- » 4 year warranty
- » Weight limit is 120kg

PLASTIC COLOUR



B-Black R-Red W-White

INDOOR USE ONLY

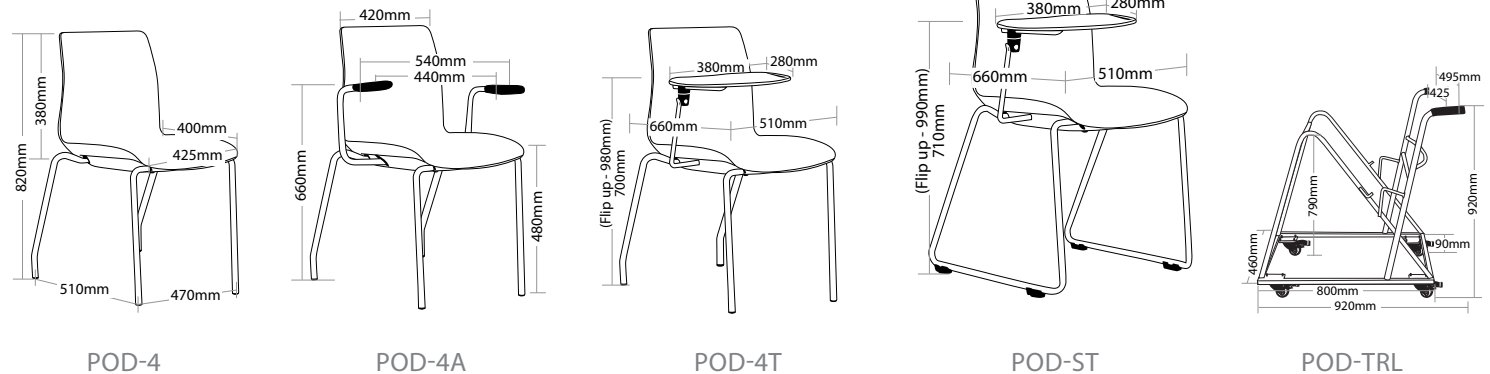
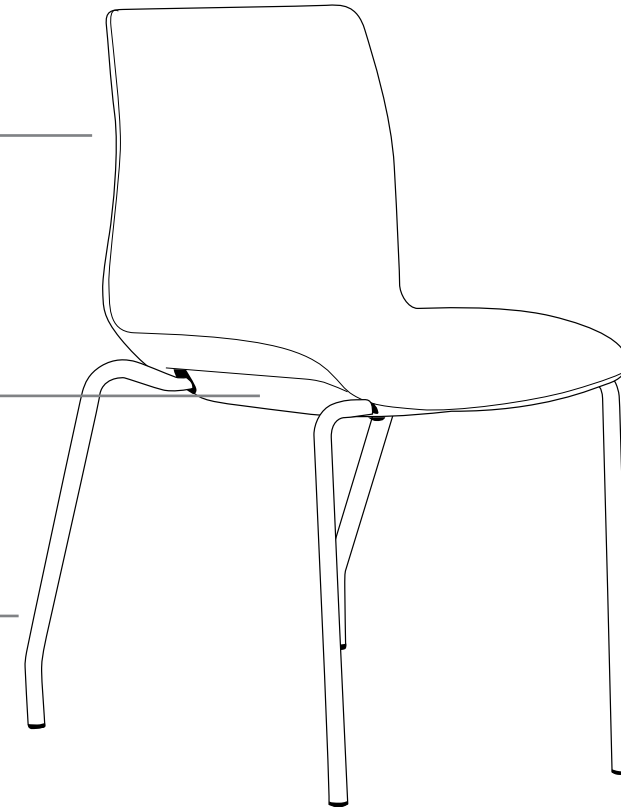
✗ Do not use as a step ladder

STACKABLE

PLASTIC UNDER PAN

4 LEGS FRAME

Keep a permanent contact between base of chair and floor



POD 4 LEGS HOSPITALITY SEATING



POD-4BU



POD-4RUA



POD-4WUT



POD-STWU



POD-STBU



POD-TRL

R5 HOSPITALITY SEATING

POD SLED



FEATURES

- » Optional arms
- » Optional tablet arms
- » Optional black metal trolley, easy to move when stacked
- » Optional 4 legs or sled base chrome frame
- » Available in beam seating
- » Stackable
 - » Maximum 10 chairs on trolley
 - » Maximum 5 chairs on floor
 - » Not stackable with arms or tablet arms
- » Plastic under pan
- » Available in local fabrics
- » Available in black, red and white plastic shell
- » Optional frame or base colour (please allow 5 more days)
- » Suitable for indoor use only
- » 4 year warranty
- » Weight limit is 120kg

PLASTIC COLOUR



B-Black R-Red W-White

INDOOR USE ONLY

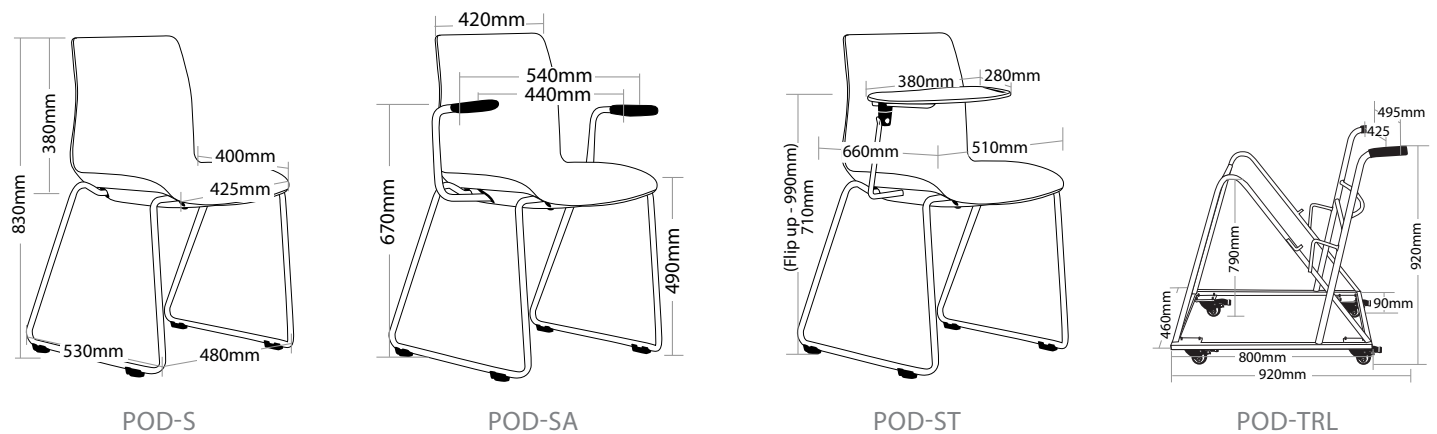
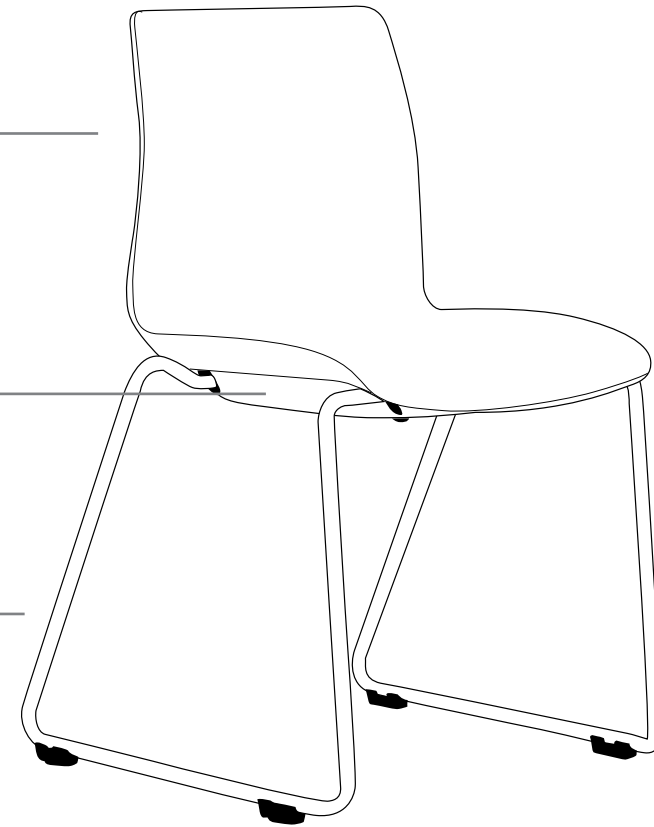
✗ Do not use as a step ladder

STACKABLE

PLASTIC UNDER PAN

SLED FRAME

Keep a permanent contact between base of chair and floor



POD SLED HOSPITALITY SEATING



POD-SBU



POD-SRUA



POD-SWUT



POD-TRL

R5 HOSPITALITY SEATING

MAXI 4 LEGS



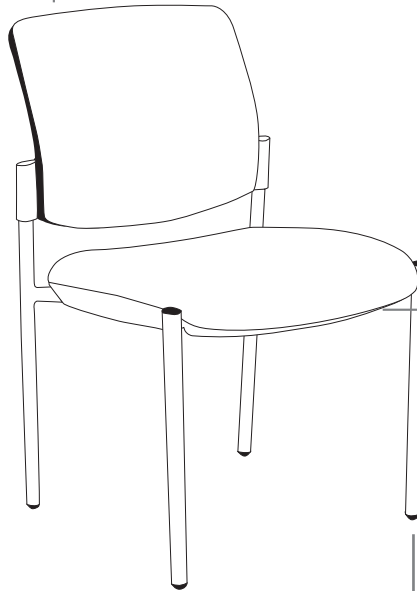
FEATURES

- » Available with or without arms
- » Available in beam seating
- » Optional black or chrome finish
- » Optional upholstered or mesh back
- » Plastic under pan
- » Plastic outer back (upholstered back only)
- » 4 legs frame
- » Available in local fabrics
- » Back mesh available in Jazz mesh
- » Optional frame or base colour (please allow 5 more days)
- » AFRDI approved to level 6
- » Suitable for indoor use only
- » 5 year warranty
- » Weight limit is 120kg

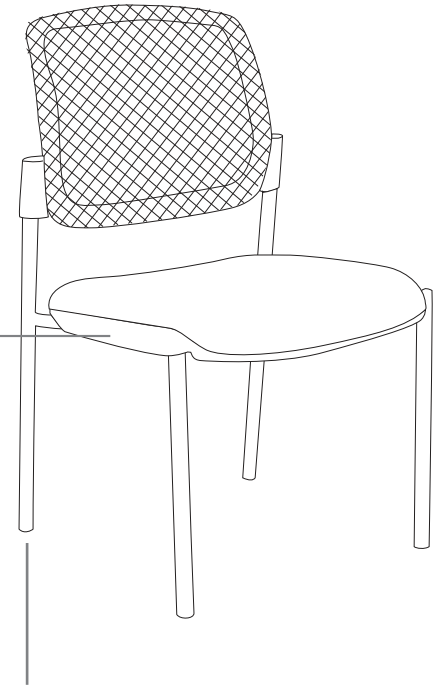
INDOOR USE ONLY

✘ Do not use as a step ladder

PLASTIC OUTER BACK

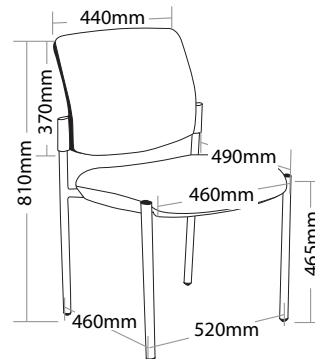


PLASTIC UNDER PAN

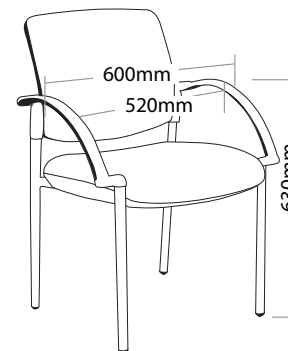


4 LEGS FRAME

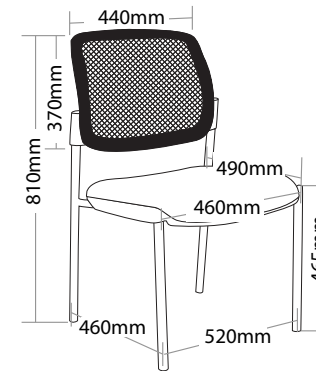
Keep a permanent contact between base of chair and floor



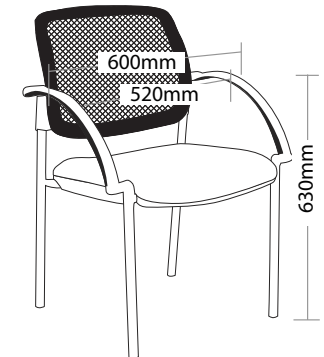
M1



M1-B



MM1



MM1-B

MAXI 4 LEGS HOSPITALITY SEATING



M1



M1-B



M1-C



M1-BC



MM1



MM1-B



MM1-C



MM1-BC

R5 HOSPITALITY SEATING

MAXI SLED

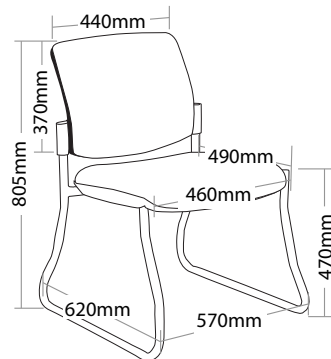
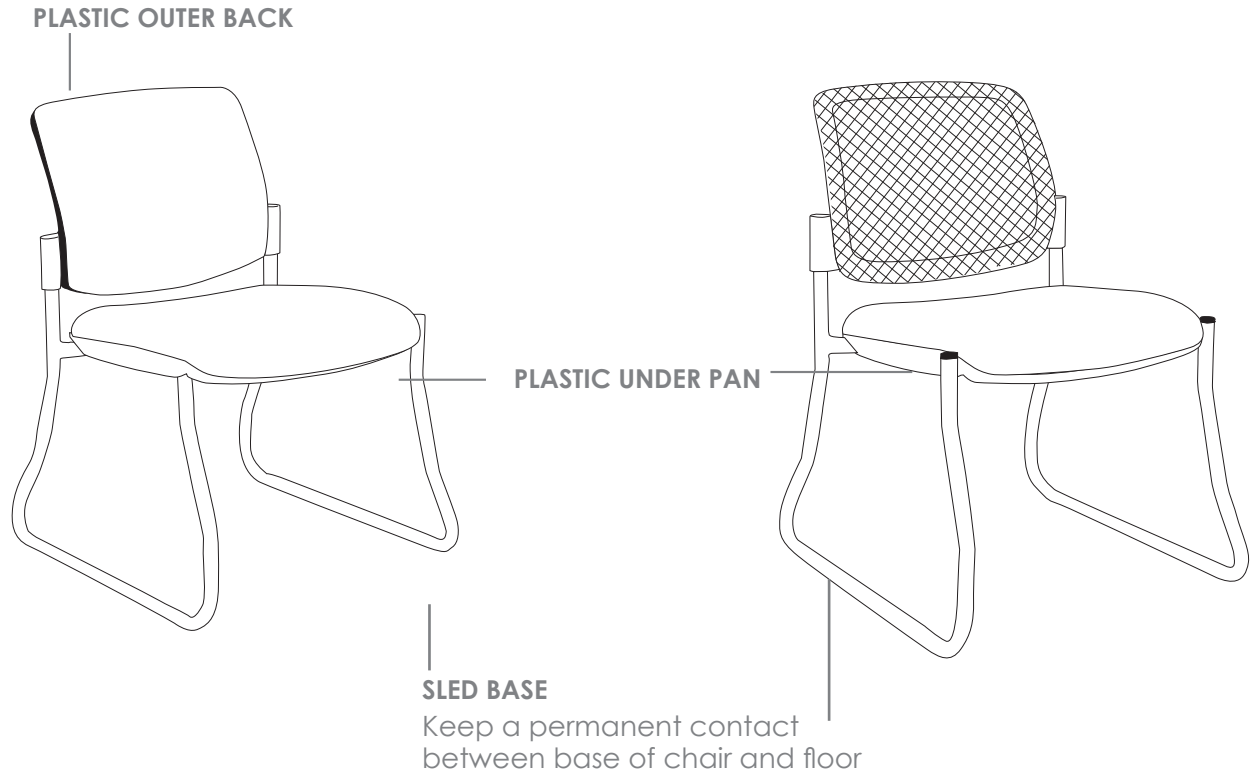


FEATURES

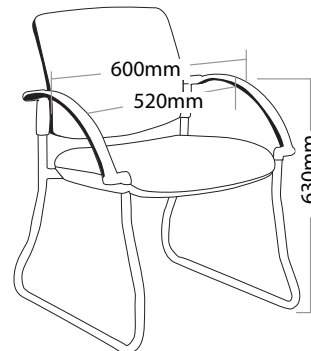
- » Available with or without arms
- » Available in beam seating
- » Optional black or chrome finish
- » Optional upholstered or mesh back
- » Stackable except with arms (Limit of 3)
- » Plastic under pan
- » Plastic outer back (upholstered back only)
- » Sled base frame
- » Available in local fabrics
- » Back mesh available in Jazz mesh
- » Optional frame or base colour (please allow 5 more days)
- » AFRDI approved to level 6
- » Suitable for indoor use only
- » 5 year warranty
- » Weight limit is 120kg

INDOOR USE ONLY

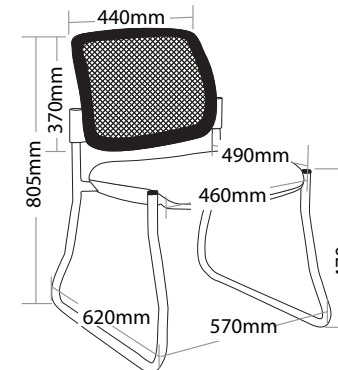
✗ Do not use as a step ladder



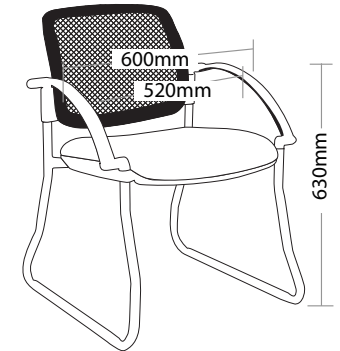
M4



M4-A



MM4



MM4-A

MAXI SLED

HOSPITALITY SEATING



M4



M4-A



M4-C



M4-AC



MM4



MM4-A



MM4-C



MM4-AC

R5 HOSPITALITY SEATING

VERA



FEATURES

- » Optional 4 leg or sled base
- » Optional round or square back
- » Optional black or chrome finish
- » Optional arms
- » Optional tablet arms
- » Stackable
 - » Maximum 4 chairs with 4 leg base on floor
 - » Maximum 3 chairs with sled base on floor
 - » Not stackable with sled base with arms
 - » Not stackable with tablet arms
- » Heavy duty metal frame
- » Available in local fabrics
- » Optional frame or base colour (please allow 5 more days)
- » Suitable for indoor use only
- » 5 year warranty
- » Weight limit is 120kg

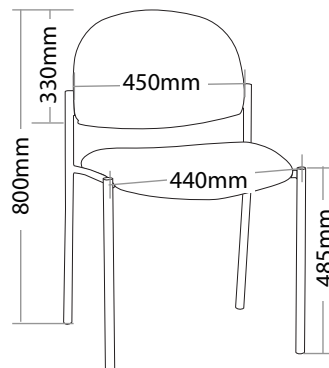
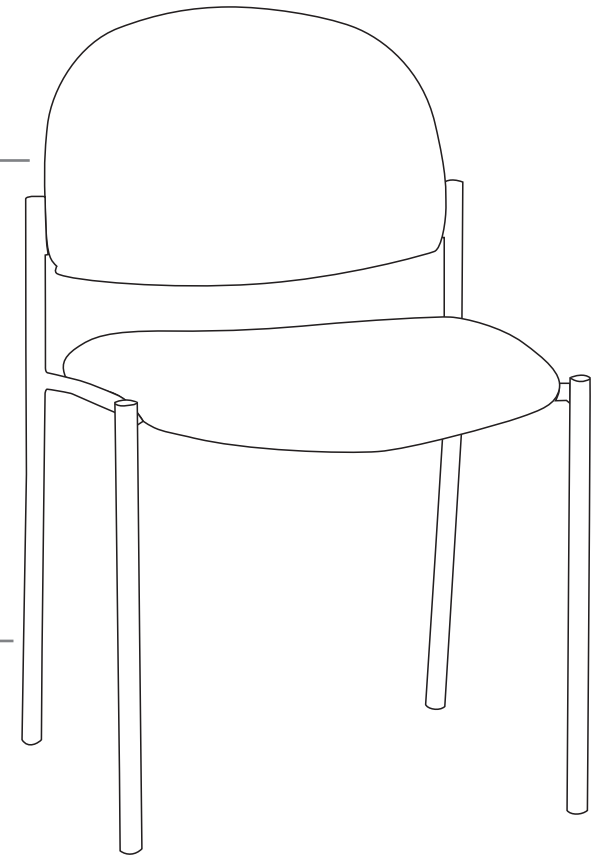
INDOOR USE ONLY

X Do not use as a step ladder

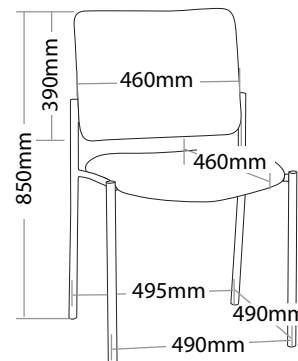
STACKABLE

HEAVY DUTY METAL FRAME

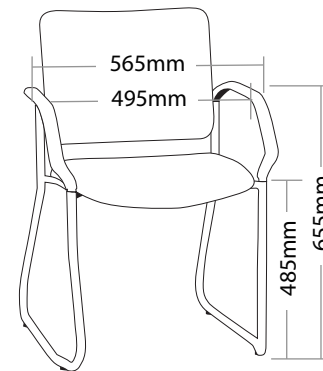
Keep a permanent contact between base of chair and floor



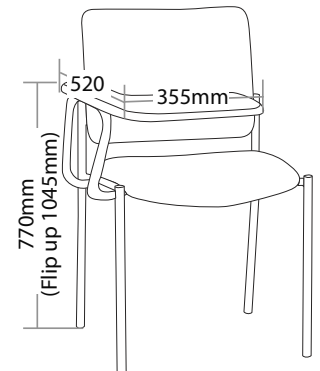
VC100



OGVC100



OGVC400-A



OGVC100-TR

VERA HOSPITALITY SEATING



VC100



VC400-A



VC400AC



VC100-TR



OGVC100



OGVC100-B



OGVC400-A



OGVC400-TR

R6 BEAM SEATING

MAXI

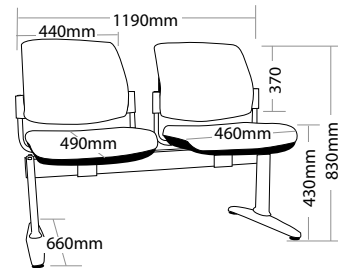
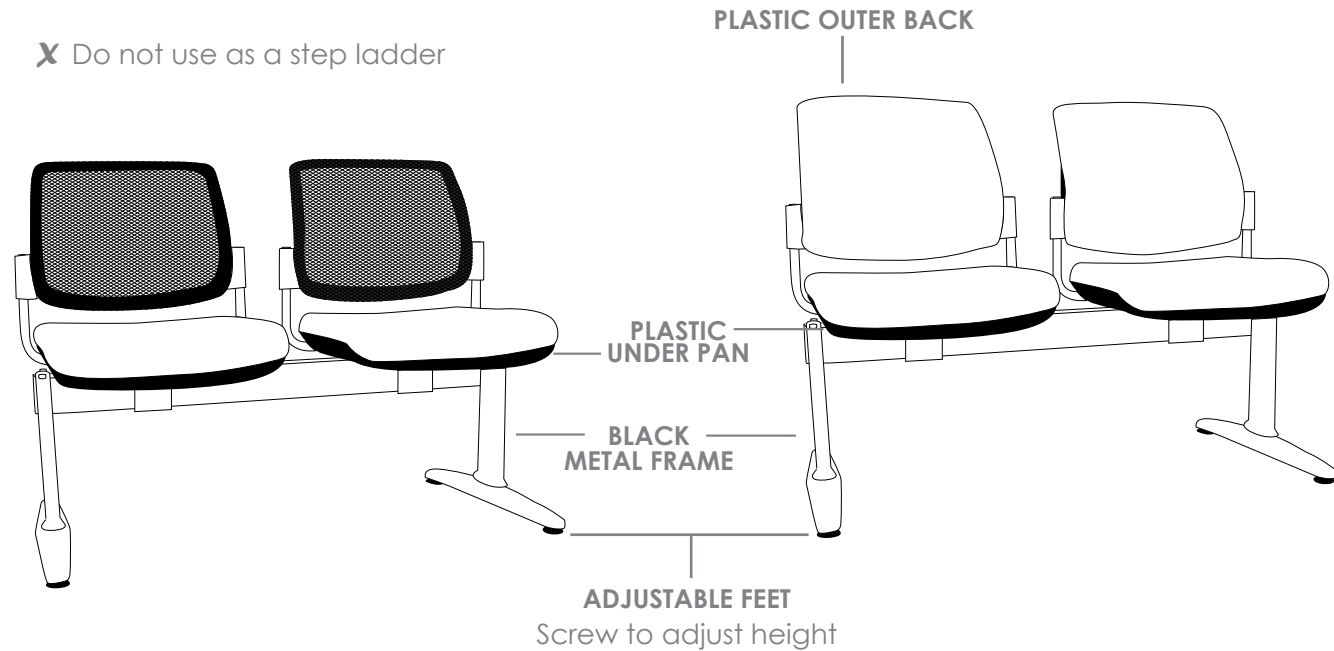


FEATURES

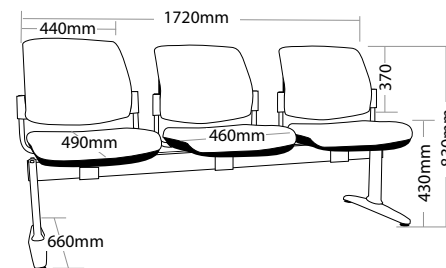
- » Optional 2, 3 or 4 seater
- » Optional fully upholstered back or mesh
- » Plastic under pan
- » Plastic outer back (upholstered back only)
- » Black metal frame
- » Adjustable feet
- » Available in local fabrics
- » Back mesh available in Jazz mesh
- » Suitable for indoor use only
- » 4 year warranty
- » Weight limit for 2 seater is 200kg
- » Weight limit for 3 seater is 300kg
- » Weight limit for 4 seater is 350kg

INDOOR USE ONLY

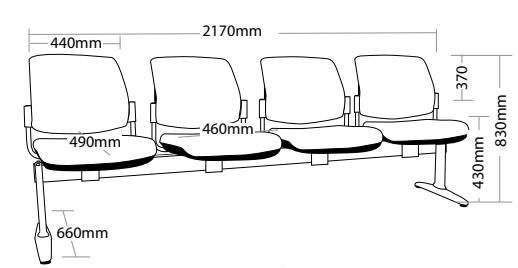
✗ Do not use as a step ladder



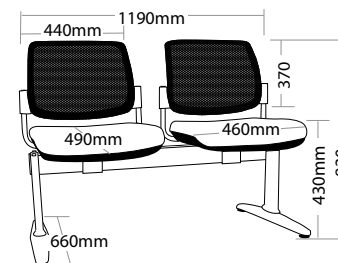
M-BEAM 2



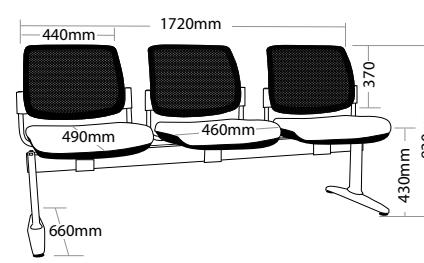
M-BEAM 3



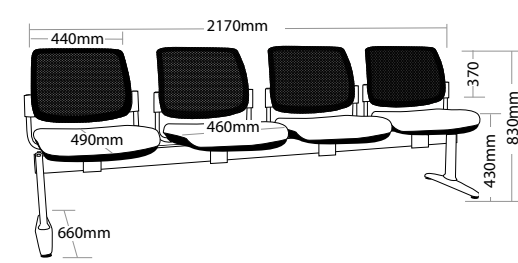
M-BEAM 4



MM-BEAM 2



MM-BEAM 3



MM-BEAM 4

MAXI BEAM SEATING



M-BEAM 2



M-BEAM 3



M-BEAM 4



MM-BEAM 2



MM-BEAM 3



MM-BEAM 4

R6 BEAM SEATING

FOCUS

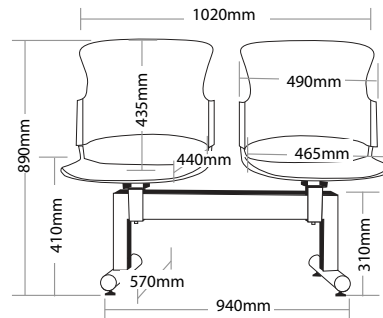
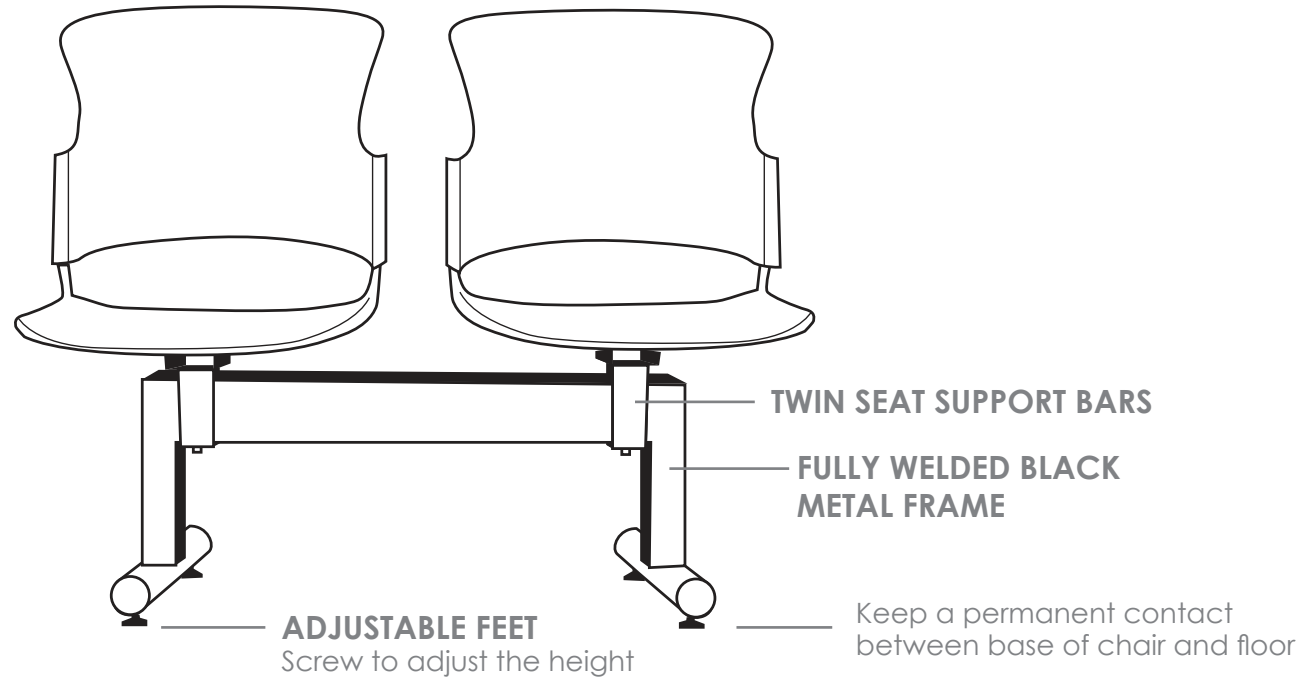


FEATURES

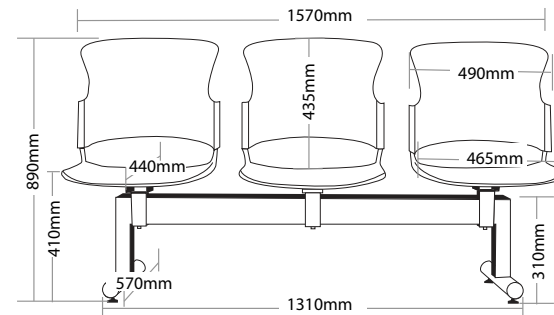
- » Optional 2 or 3 seater
- » Fully welded black metal frame
- » Twin seat support bars
- » Adjustable feet
- » Available in local fabrics
- » Suitable for indoor use
- » 4 year warranty
- » Weight limit for 2 seater is 200kg
- » Weight limit for 3 seater is 300kg

INDOOR USE ONLY

✘ Do not use as a step ladder



F-BEAM 2



F-BEAM 3

FOCUS BEAM SEATING



F-BEAM 2U



F-BEAM 3U

R6 BEAM SEATING

VINN

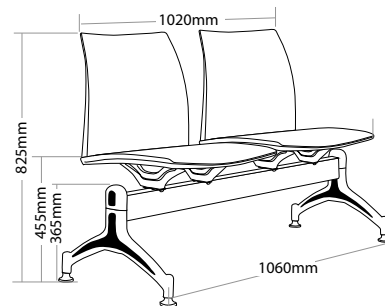
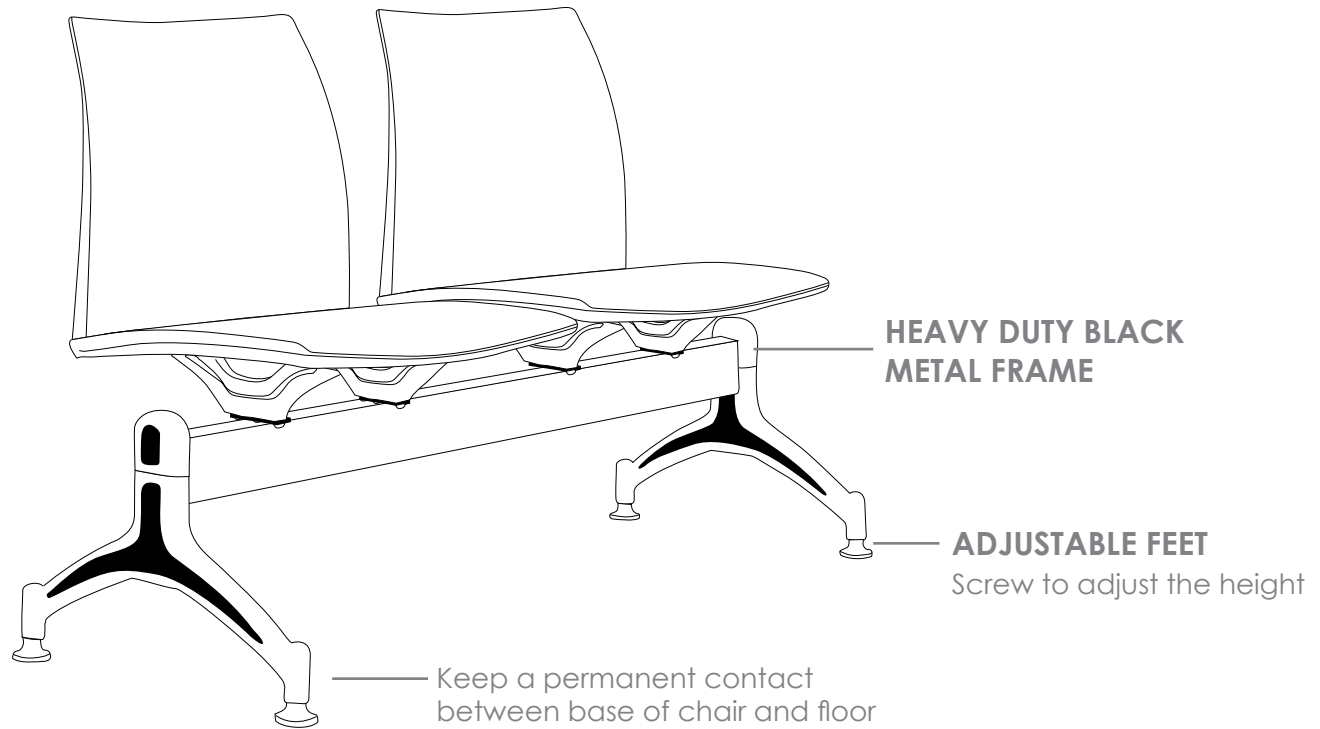


FEATURES

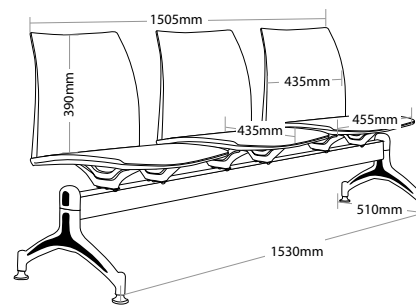
- » Optional 2, 3 or 4 seater
- » Optional plastic or mesh back
- » Heavy duty black metal beam frame
- » Black plastic
- » Adjustable feet
- » Available in local fabrics
- » Back mesh available in Jazz fabric
- » Suitable for indoor use
- » 4 year warranty
- » Weight limit for 2 seater is 180kg
- » Weight limit for 3 seater is 250kg
- » Weight limit for 4 seater is 300kg

INDOOR USE ONLY

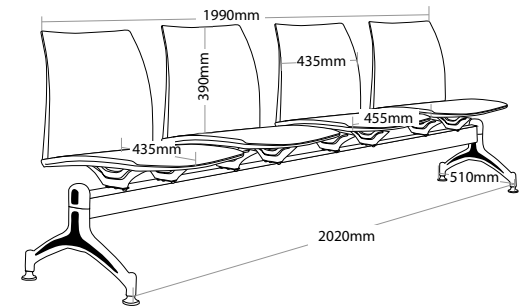
X Do not use as a step ladder



V-BEAM 2



V-BEAM 3



V-BEAM 4

VINN BEAM SEATING



V-BEAM 2U



V-BEAM 3U



V-BEAM 4U



V-BEAM 2MU



V-BEAM 3MU



V-BEAM 4MU

R6 BEAM SEATING

POD



FEATURES

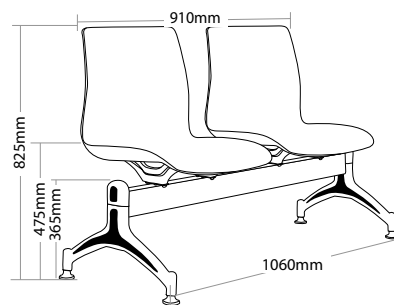
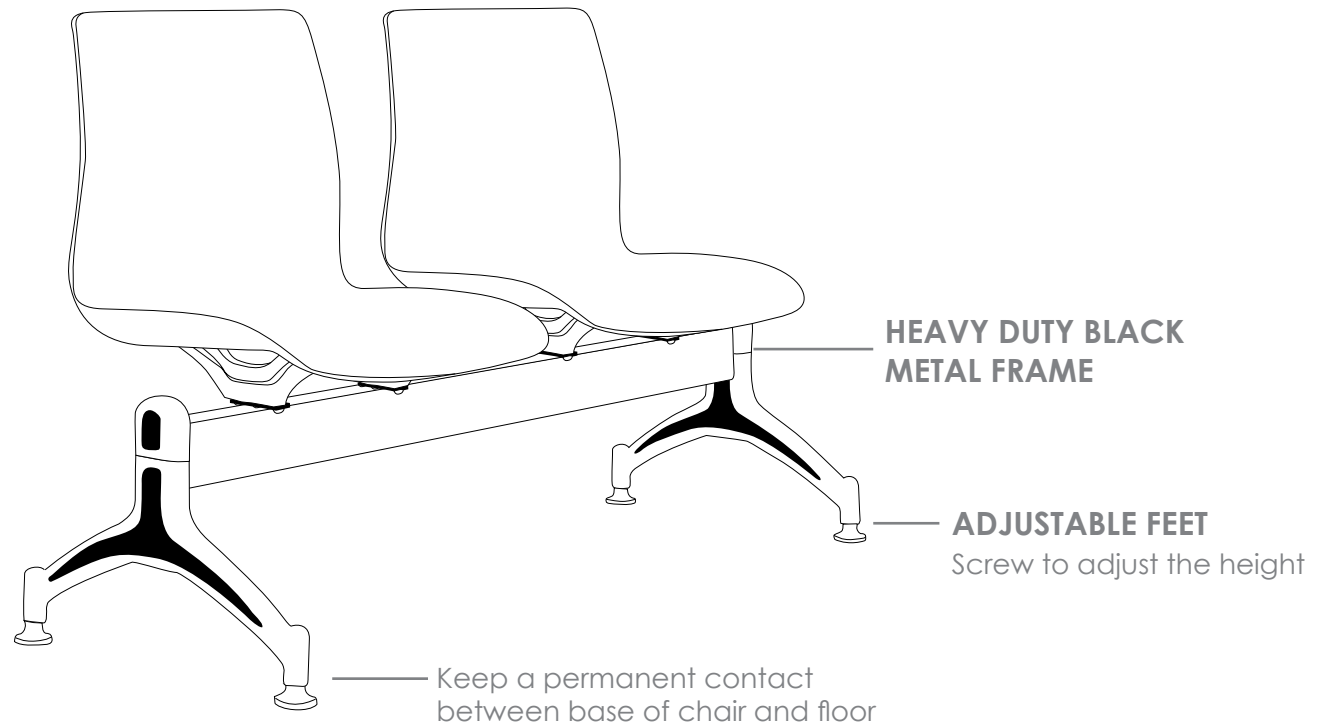
- » Optional 2, 3 or 4 seater
- » Heavy duty black metal beam frame
- » Adjustable feet
- » Available in local fabrics
- » Available in black, red and white plastic only
- » Suitable for indoor use
- » 4 Year warranty
- » Weight limit for 2 seater is 200kg
- » Weight limit for 3 seater is 300kg
- » Weight limit for 4 seater is 350kg

PLASTIC COLOUR

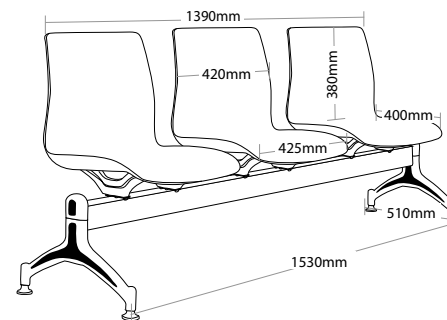


INDOOR USE ONLY

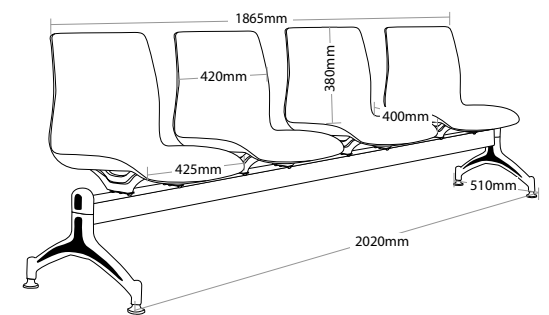
✘ Do not use as a step ladder



P-BEAM 2



P-BEAM 3



P-BEAM 4

POD BEAM SEATING



P-BEAM 2BU



P-BEAM 3RU



P-BEAM 4WU

R7 BREAKOUT SEATING

SMOKE

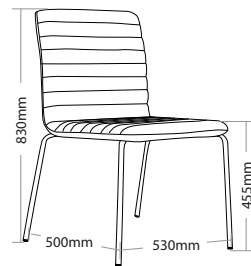
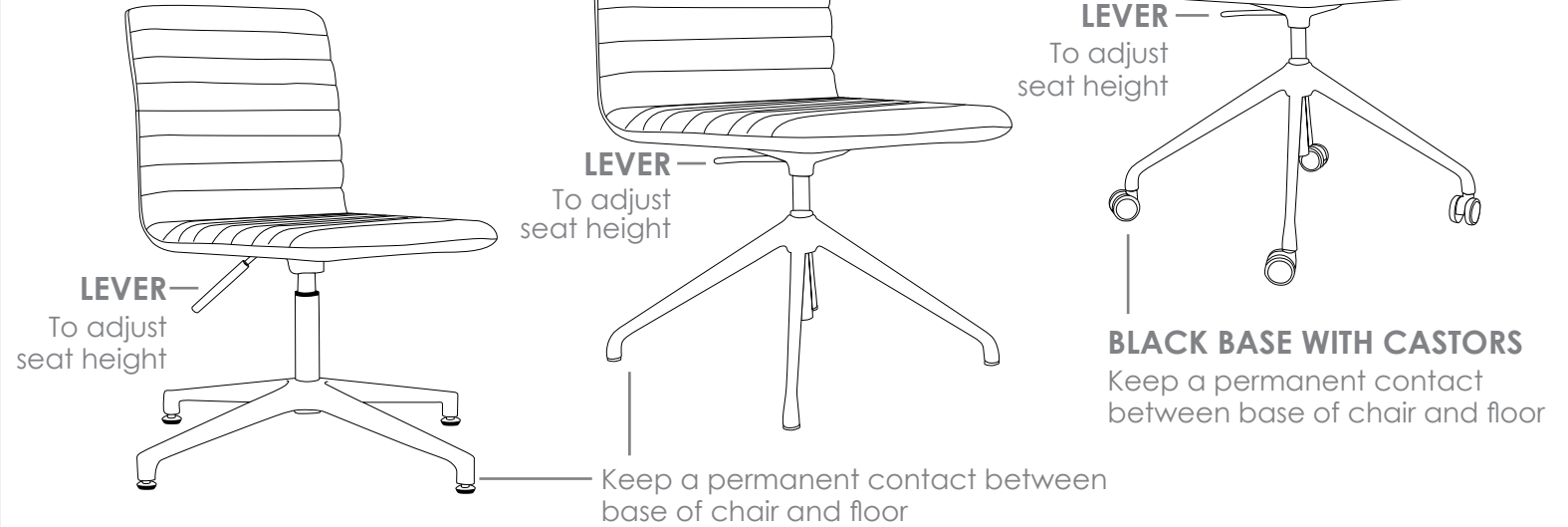


FEATURES

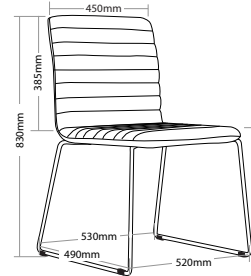
- » Adjustable seat height (With 4 star base, black base and black base with castors only)
- » Optional chrome 4 legs frame
- » Optional chrome sled base
- » Optional black sled base
- » Optional 700mm aluminium 4 star base
- » Optional timber legs with natural finish
- » Optional timber legs with black finish
- » Optional black base with or without castors
- » Fully upholstered
- » High density foam
- » Plywood shell
- » Available in local fabrics
- » Optional frame or base colour (please allow 5 more days)
- » Suitable for indoor use only
- » 5 year warranty
- » Weight limit is 130kg

INDOOR USE ONLY

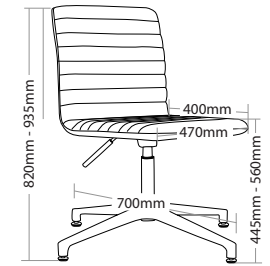
X Do not use as a step ladder



SMOKE-4L



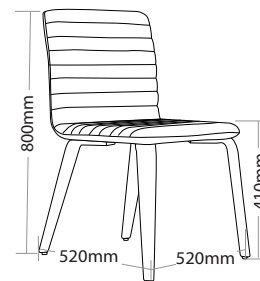
SMOKE-SB



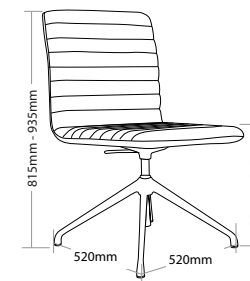
SMOKE-AB



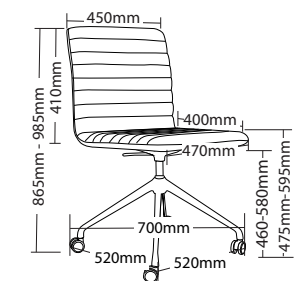
SMOKE-BL



SMOKE-NL



SMOKE-BB



SMOKE-BBC

SMOKE BREAKOUT SEATING



SMOKE-4L



SMOKE-SB



SMOKE-SBB



SMOKE-AB



SMOKE-NL



SMOKE-BL



SMOKE-BB



SMOKE-BBC

R7 BREAKOUT SEATING

YARD

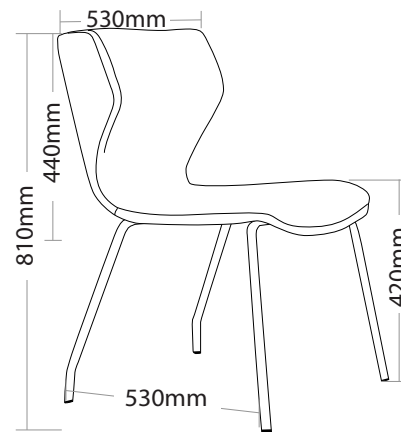
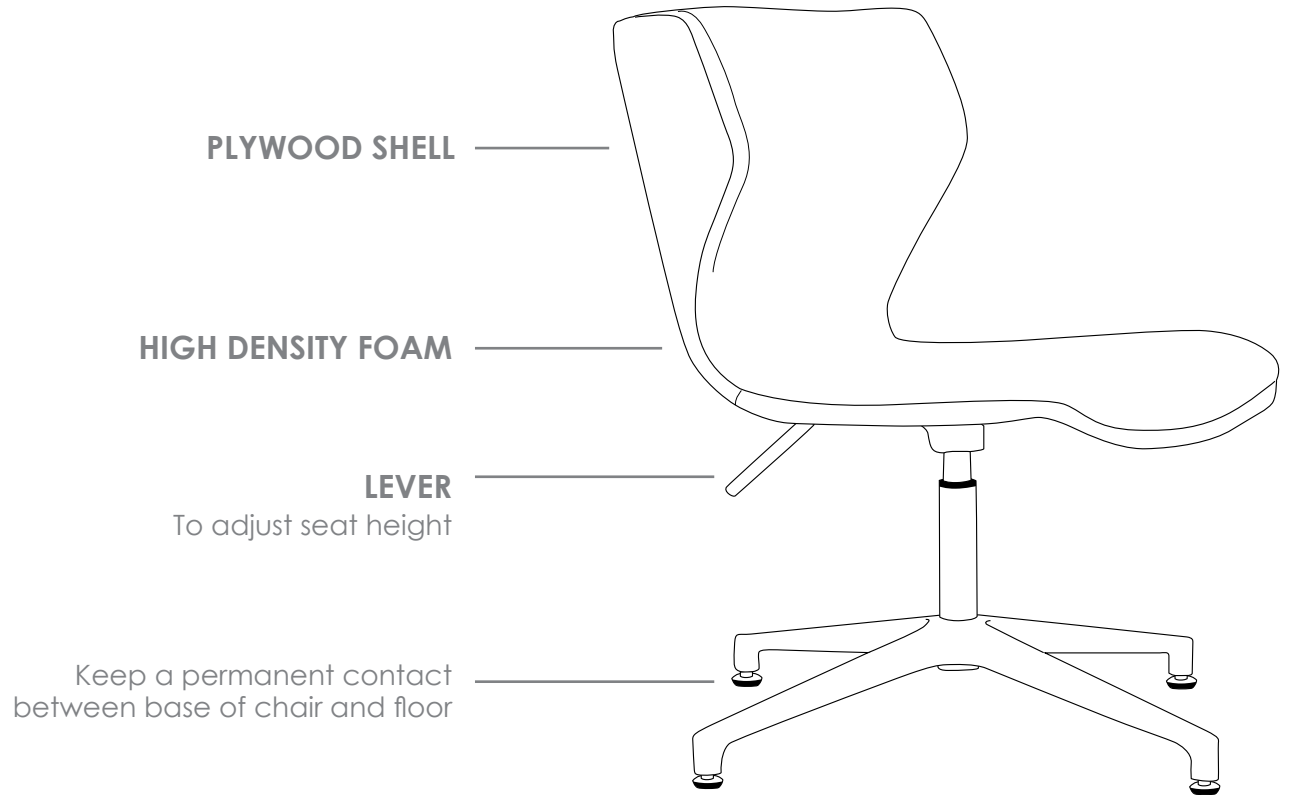


FEATURES

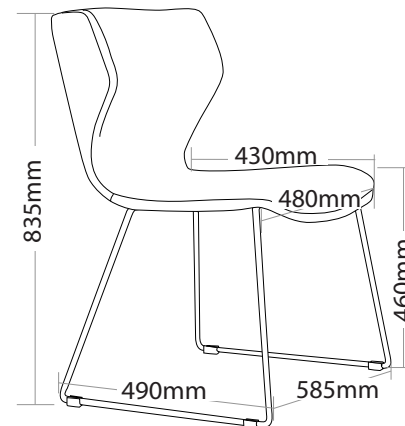
- » Adjustable seat height with 4 star base
- » Optional 660mm aluminium 4 star base
- » Optional chrome sled base
- » Optional chrome 4 legs frame
- » High density foam
- » Plywood shell
- » Available in local fabrics
- » Optional frame or base colour (please allow 5 more days)
- » Suitable for indoor use only
- » 3 year warranty
- » Weight limit is 130kg

INDOOR USE ONLY

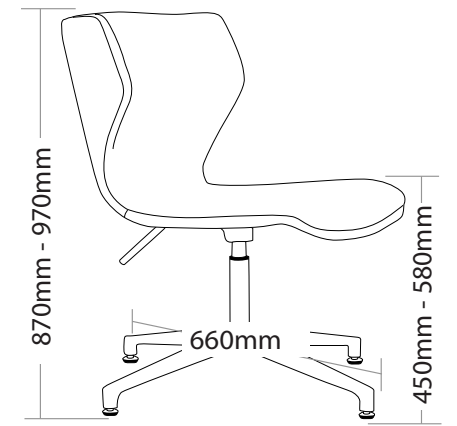
✘ Do not use as a step ladder



YARD-4L



YARD-SB



YARD-AB

YARD BREAKOUT SEATING



YARD-4L



YARD-SB



YARD-AB

R7 BREAKOUT SEATING

RIDGE



FEATURES

- » Adjustable seat height with 4 star base
- » Optional 680mm aluminium 4 star base
- » Optional solid rod sled chrome base
- » Optional chrome 4 legs frame
- » Moulded foam
- » Plywood shell
- » Available in local fabrics
- » Optional frame or base colour (please allow 5 more days)
- » Suitable for indoor use only
- » 5 year warranty
- » Weight limit is 130kg

INDOOR USE ONLY

✘ Do not use as a step ladder

PLYWOOD SHELL

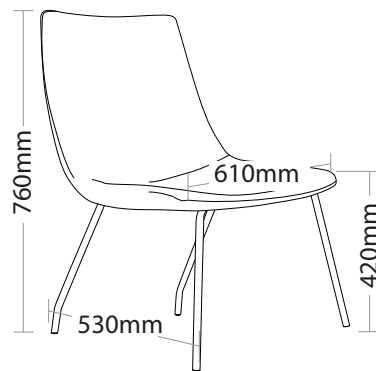
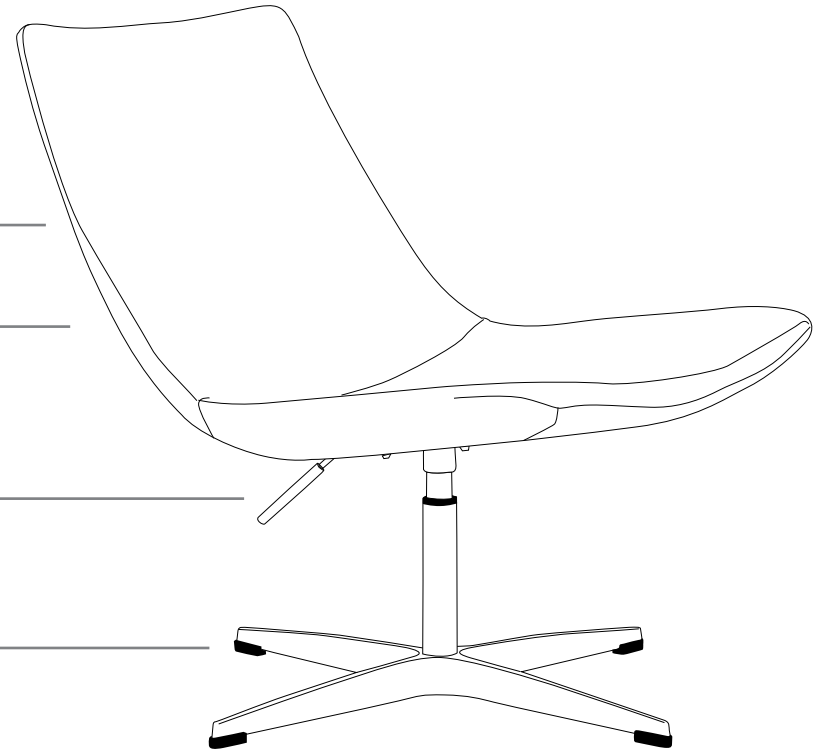
MOULDED FOAM

LEVER

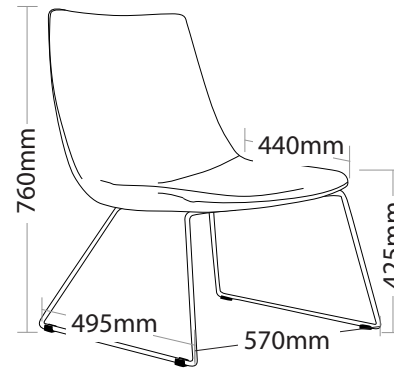
To adjust seat height

ALUMINIUM 4 STAR BASE

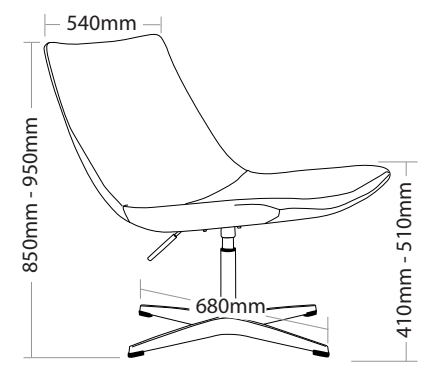
Keep a permanent contact between base of chair and floor



RIDGE-4L



RIDGE-SB



RIDGE-AB

RIDGE BREAKOUT SEATING



RIDGE-4L



RIDGE-SB



RIDGE-AB

R7 BREAKOUT SEATING

VERO



FEATURES

- » Optional black or timber finish
- » Plywood inner structure
- » Metal frame
- » High density foam
- » Available in local fabrics
- » Optional frame or base colour (please allow 5 more days)
- » Suitable for indoor use only
- » 5 year warranty
- » Weight limit is 130kg

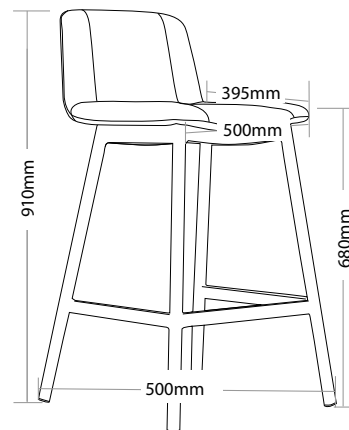
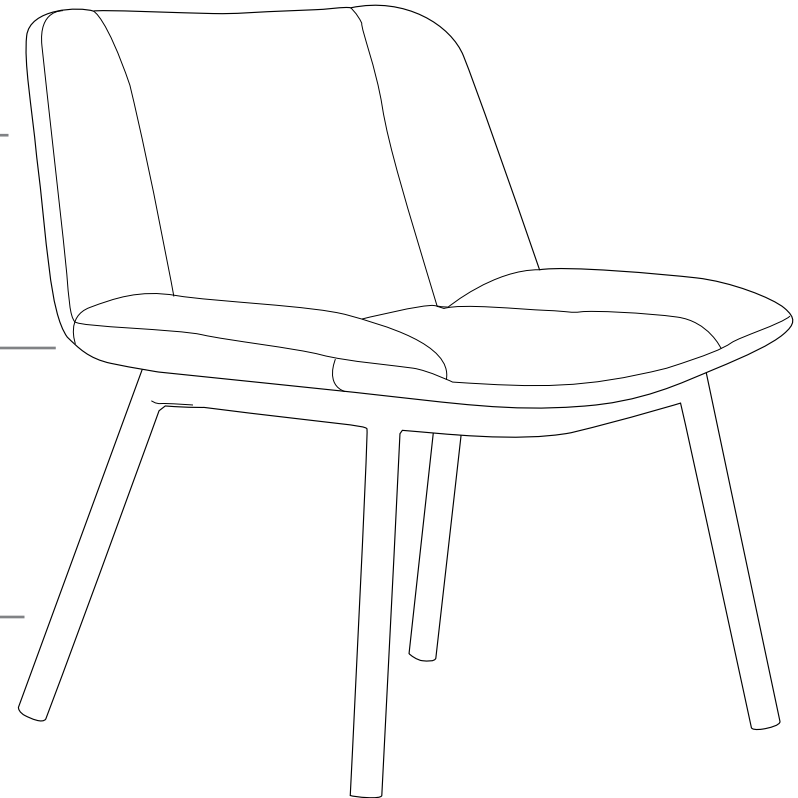
INDOOR USE ONLY

✘ Do not use as a step ladder

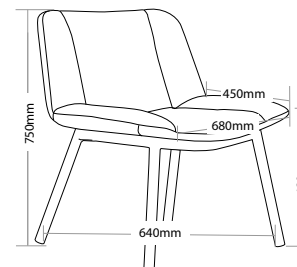
PLYWOOD INNER STRUCTURE

HIGH DENSITY FOAM

Keep a permanent contact between base of chair and floor



VERO-ST



VERO-CH

VERO BREAKOUT SEATING



VERO-STB



VERO-STT



VERO-CHB



VERO-CHT

R7 BREAKOUT SEATING

GOLD

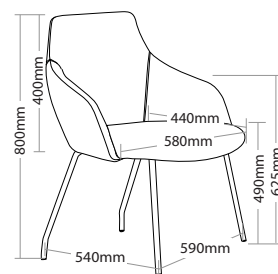


FEATURES

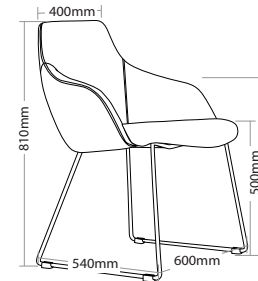
- » Adjustable seat height (With 4 star base, black base and black base with castors only)
- » Optional chrome sled base
- » Optional black sled base
- » Optional chrome 4 leg frame
- » Optional 700mm aluminium 4 star base
- » Optional timber legs with natural finish
- » Optional timber legs with black finish
- » Optional black base with or without castors
- » High density foam
- » Plywood shell
- » Available in local fabrics
- » Optional frame or base colour (please allow 5 more days)
- » Suitable for indoor use only
- » 5 year warranty
- » Weight limit is 130kg

INDOOR USE ONLY

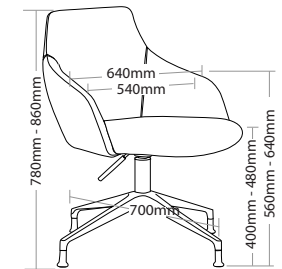
X Do not use as a step ladder



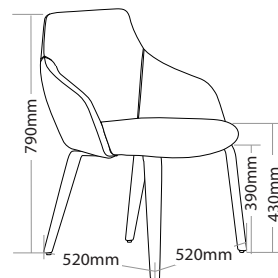
GOLD-4L



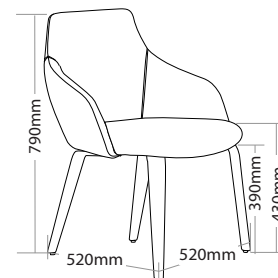
GOLD-SB



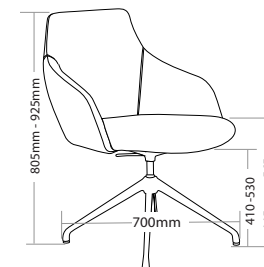
GOLD-AB



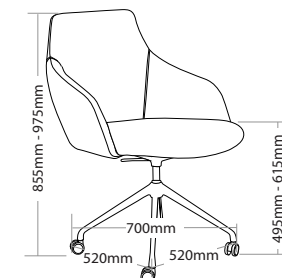
GOLD-BL



GOLD-NL



GOLD-BB



GOLD-BBC

GOLD BREAKOUT SEATING



GOLD-4L



GOLD-SB



GOLD-SBB



GOLD-AB



GOLD-NL



GOLD-BL



GOLD-BB



GOLD-BBC

R7 BREAKOUT SEATING

JUNE

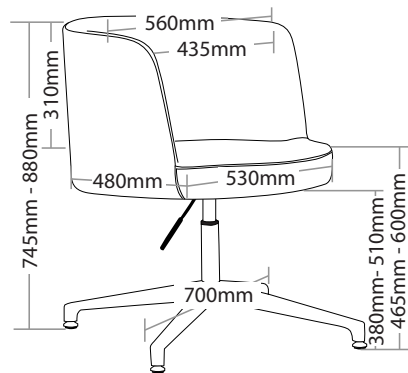
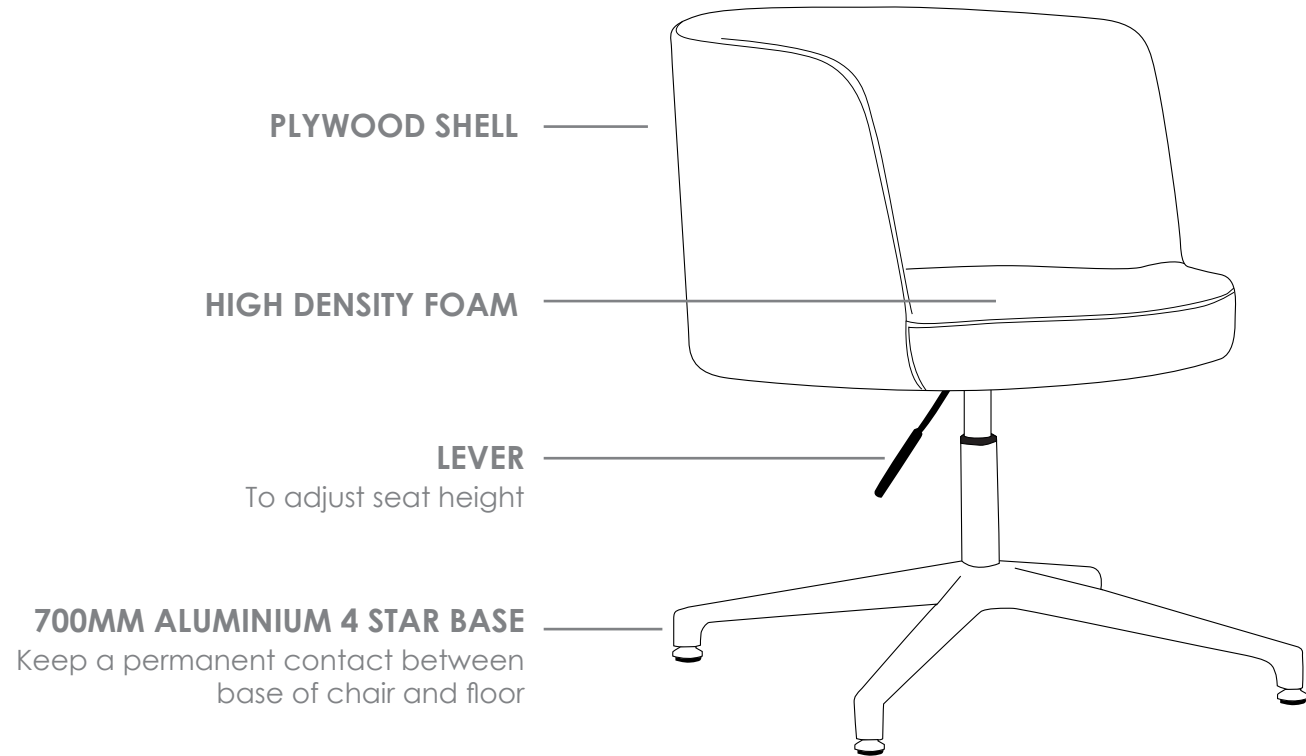


FEATURES

- » Adjustable seat height
- » High density foam
- » 700mm aluminium 4 star base
- » Plywood shell
- » Available in local fabrics
- » Optional frame or base colour (please allow 5 more days)
- » Suitable for indoor use
- » 5 Year warranty
- » Weight limit is 120kg

INDOOR USE ONLY

✘ Do not use as a step ladder



JUNE

JUNE BREAKOUT SEATING



JUNE



SIDE VIEW



BACK VIEW

R7 BREAKOUT SEATING

TIME

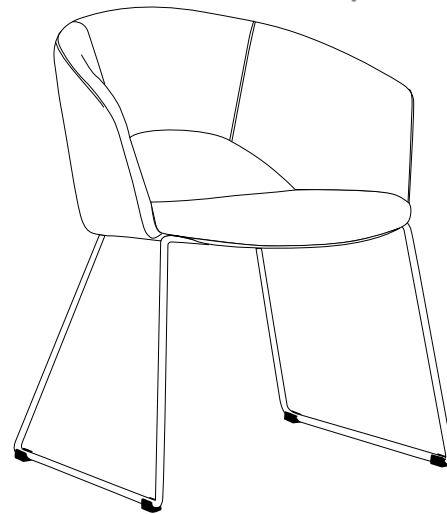


FEATURES

- » Adjustable seat height (With 4 star base, black base and black base with castors only)
- » Optional chrome sled base
- » Optional black sled base
- » Optional timber legs with natural finish
- » Optional timber legs with black finish
- » Optional black base with or without castors
- » High density foam
- » Moulded back foam
- » Plywood shell
- » Available in local fabrics
- » Optional frame or base colour (please allow 5 more days)
- » Suitable for indoor use only
- » 5 year warranty
- » Weight limit is 120kg

INDOOR USE ONLY

✗ Do not use as a step ladder



LEVER

To adjust seat height

Keep a permanent contact between base of chair and floor

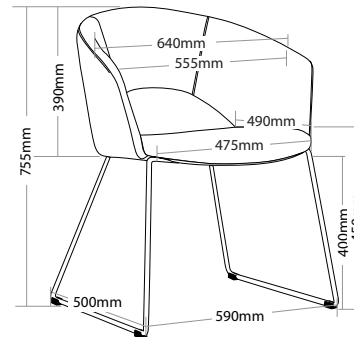


LEVER

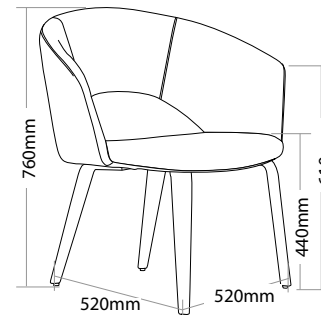
To adjust seat height

BLACK BASE WITH CASTORS

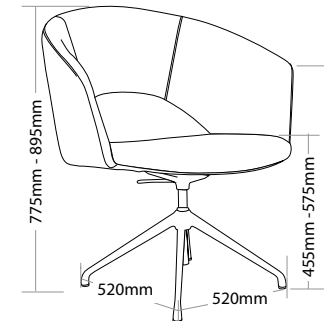
Keep a permanent contact between base of chair and floor



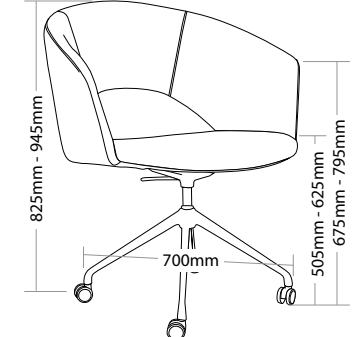
TIME



TIME-BL/NL



TIME-BB



TIME-BBC

TIME BREAKOUT SEATING



TIME



TIME-SBB



TIME-NL



TIME-BL



TIME-BB



TIME-BBC

R7 BREAKOUT SEATING

OPERA



FEATURES

- » Optional timber legs
- » Optional 700mm high arch aluminium 4 star base
- » Optional chrome 4 leg frame
- » Loose back and seat cushions
- » Moulded foam on steel frame
- » Available in local fabrics
- » Optional frame or base colour (please allow 5 more days)
- » Suitable for indoor use only
- » 5 year warranty
- » Weight limit is 120kg

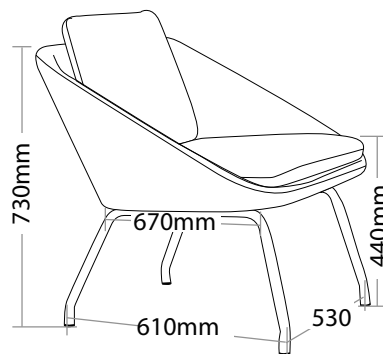
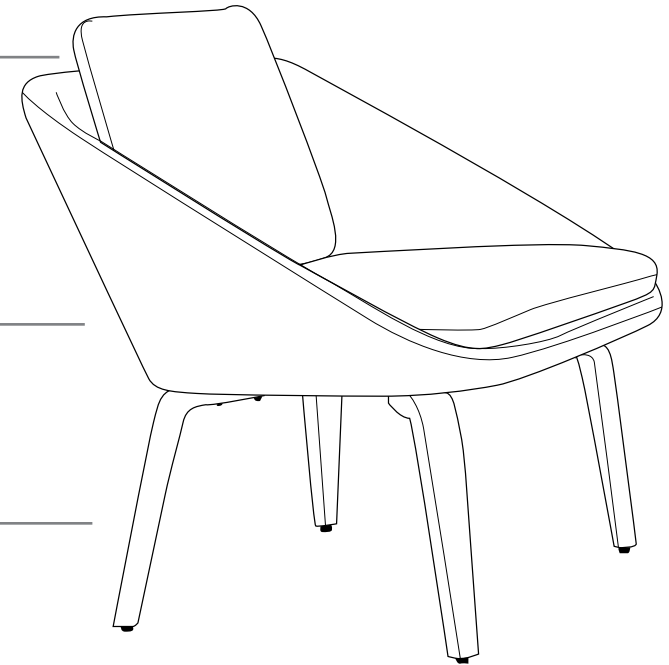
INDOOR USE ONLY

✗ Do not use as a step ladder

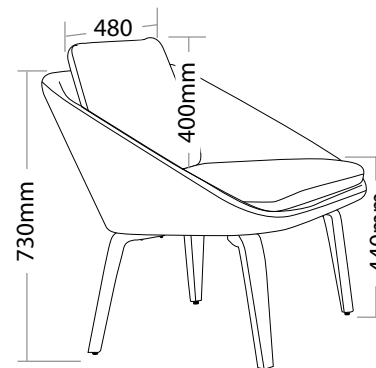
LOOSE CUSHIONS

MOULDED FOAM ON STEEL FRAME

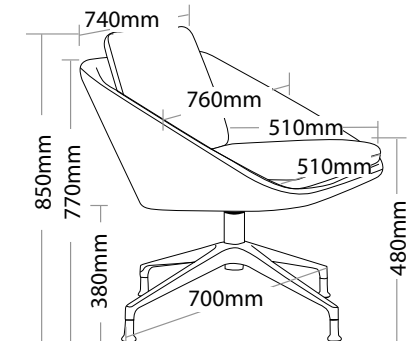
Keep a permanent contact between base of chair and floor



OPERA-4L



OPERA-TL



OPERA-AB

OPERA BREAKOUT SEATING



OPERA-4L



OPERA-TL



OPERA-AB

R7 BREAKOUT SEATING

LEAF



FEATURES

LEAF-L/LEAF-H FEATURES

- » Available in high and low back
- » High density foam
- » Loose back cushion
- » Metal frame
- » Adjustable feet
- » Available in local fabrics
- » Suitable for indoor use only
- » 3 year warranty
- » Weight limit is 120kg

TABLE FEATURES

- » MDF white top
- » Chrome frame
- » 3 year warranty

INDOOR USE ONLY

X Do not use as a step ladder

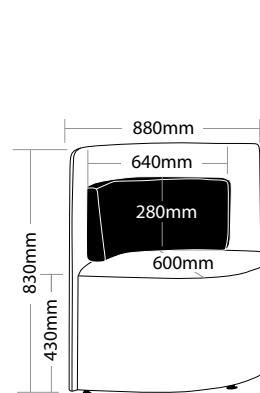
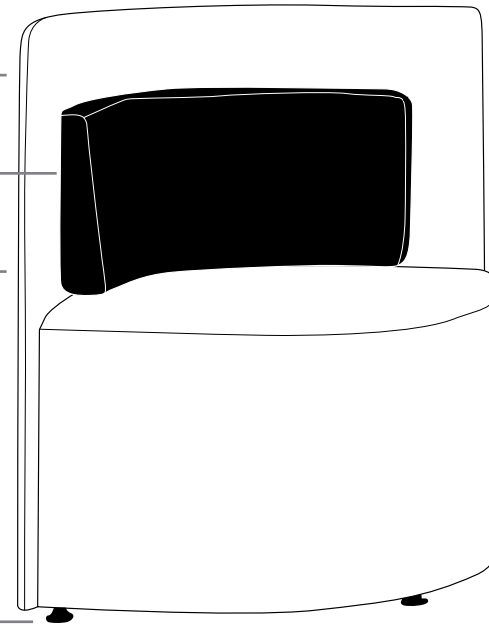
HIGH DENSITY FOAM

LOOSE BACK CUSHION

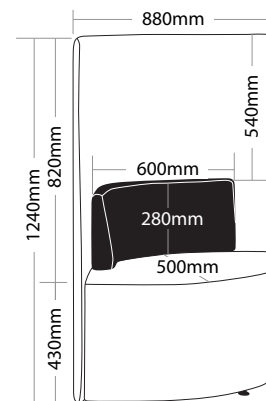
METAL FRAME

ADJUSTABLE FEET

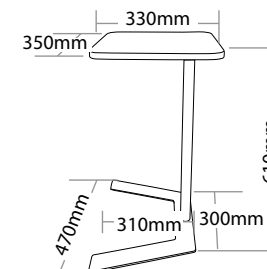
Keep a permanent contact between base of chair and floor



LEAF-L



LEAF-H



LEAF-T

LEAF BREAKOUT SEATING



LEAF-L



LEAF-H



LEAF-T



TOP VIEW



GROUP

R8 OTTOMANS

PLAY

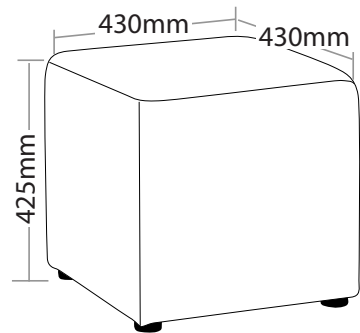
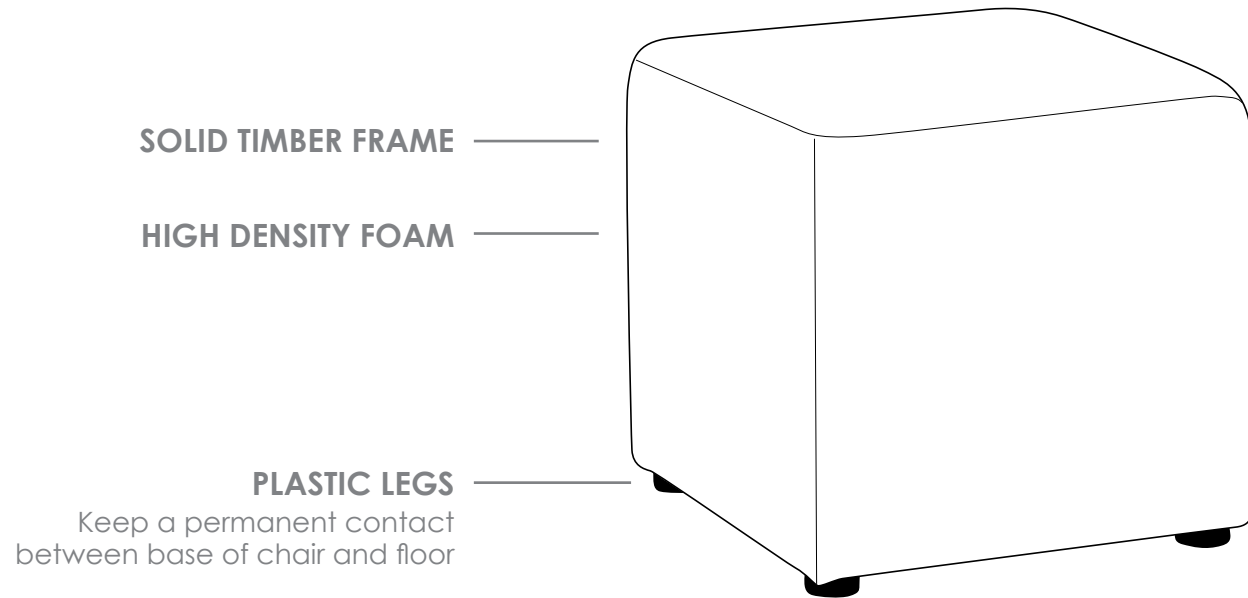


FEATURES

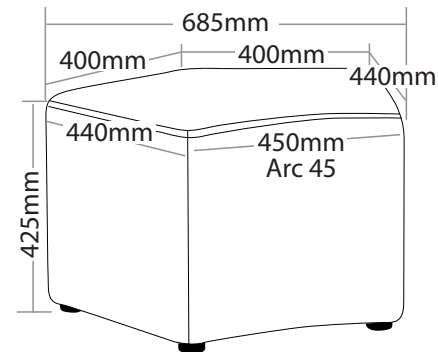
- » Available in 2 options only
- » High density foam
- » Solid timber frame
- » Plastic legs
- » Available in local fabrics
- » Suitable for indoor use only
- » 3 year warranty
- » Weight limit is 120kg

INDOOR USE ONLY

✘ Do not use as a step ladder



PLAY-1



PLAY-2

PLAY



PLAY-1



PLAY-2



GROUP

R8 OTTOMANS

OLA

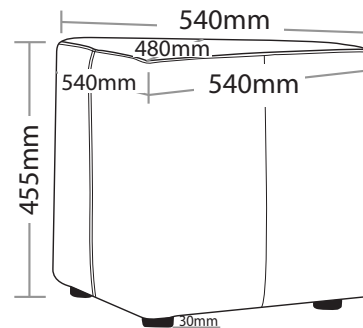
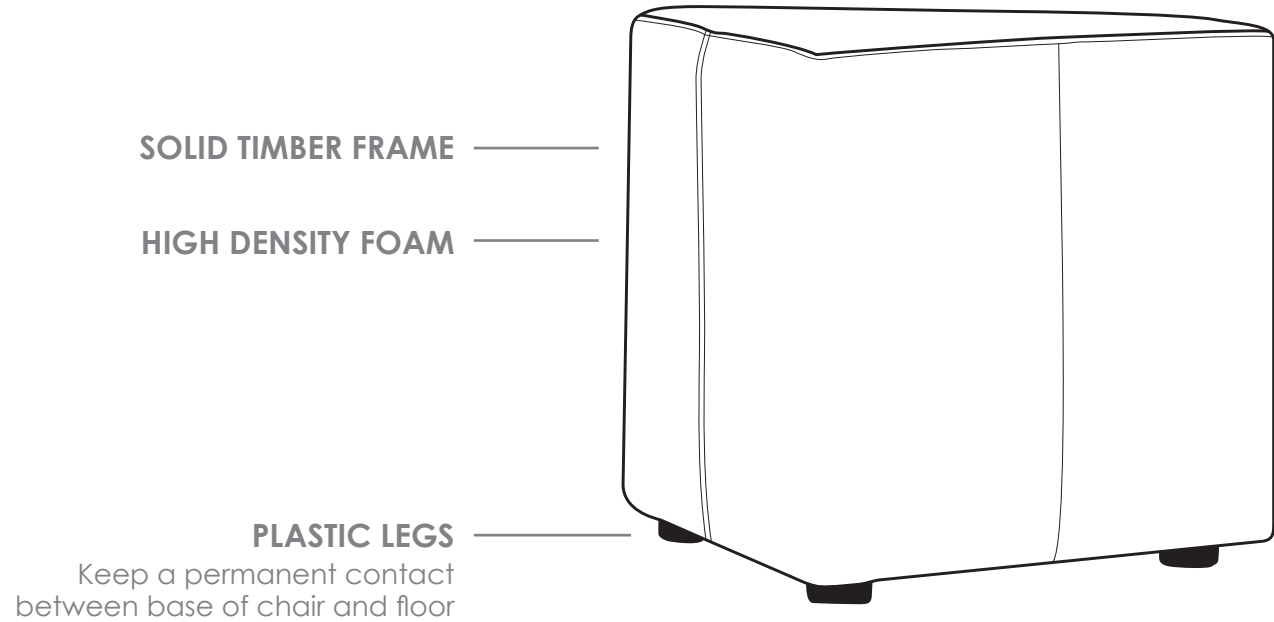


FEATURES

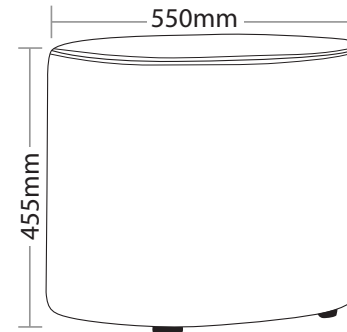
- » Available in triangle, round and square shape
- » High density foam
- » Solid timber frame
- » Plastic legs
- » Available in local fabrics
- » Suitable for indoor use only
- » 3 year warranty
- » Weight limit is 120kg

INDOOR USE ONLY

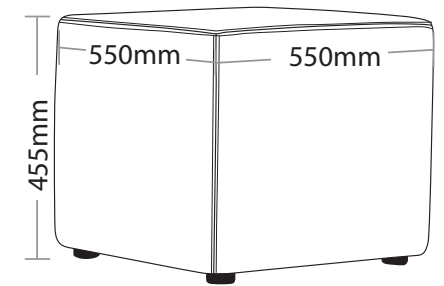
✘ Do not use as a step ladder



OLA-T



OLA-R



OLA-S

OLA



OLA-T



OLA-R



OLA-S

R8 OTTOMANS

CLIP



FEATURES

- » Zig zag steel spring
- » Solid hardwood frame
- » Webbed base
- » Chrome legs
- » Available in local fabrics
- » Optional frame or base colour (please allow 5 more days)
- » Suitable for indoor use only
- » 3 year warranty
- » Weight limit is 130kg

INDOOR USE ONLY

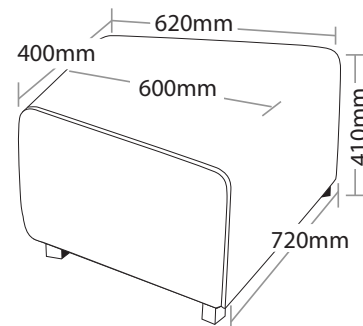
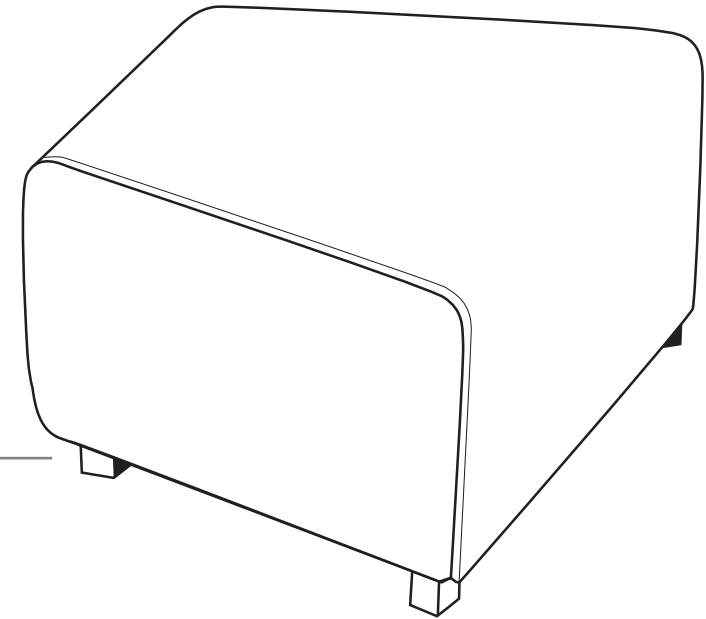
✘ Do not use as a step ladder

SOLID HARDWOOD FRAME

WEBBED BASE

CHROME LEGS

Keep a permanent contact between base of chair and floor



CLIP

CLIP



CLIP



GROUP



R8 OTTOMANS

IMPRESS



FEATURES

IMPRESS FEATURES

- » Available in 2 options only
- » Moulded polyurethane foam
- » Solid hardwood frame
- » Zinc legs
- » Available in local fabrics
- » Optional frame or base colour (please allow 5 more days)
- » Suitable for indoor use only
- » 3 year warranty
- » Weight limit is 130kg

IMPRESS TABLE FEATURES

- » 8mm Tempered glass top
- » Chrome legs
- » Optional frame or base colour (please allow 5 more days)
- » Suitable for indoor use only
- » 3 year warranty

INDOOR USE ONLY

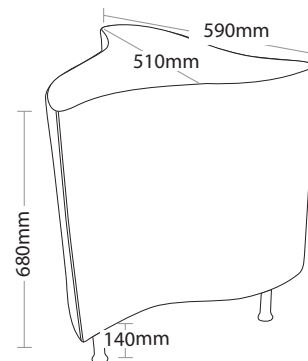
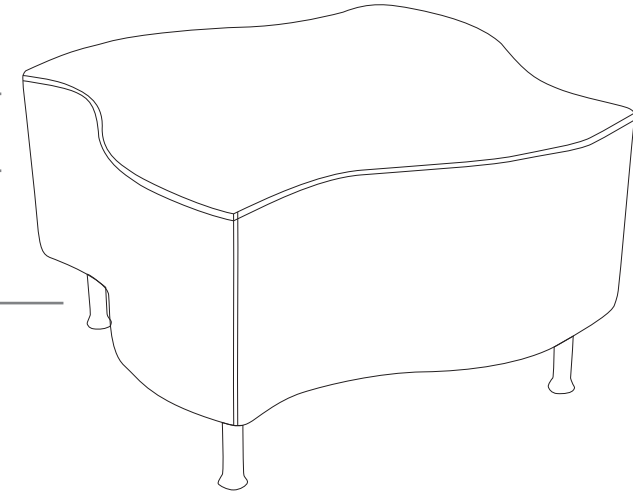
X Do not use as a step ladder

MOULDED POLYURETHANE FOAM

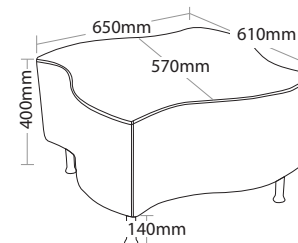
SOLID HARDWOOD FRAME

ZINC LEGS

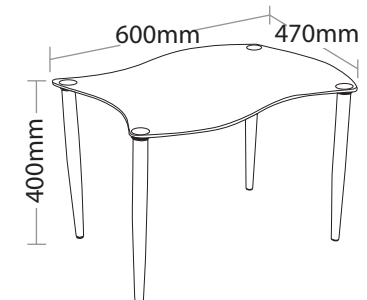
Keep a permanent contact between base of chair and floor



IMPRESS-1



IMPRESS-2



IMPRESS-T

IMPRESS



IMPRESS-1



IMPRESS-2



IMPRESS-T



GROUP

R8 OTTOMANS

RADIUS



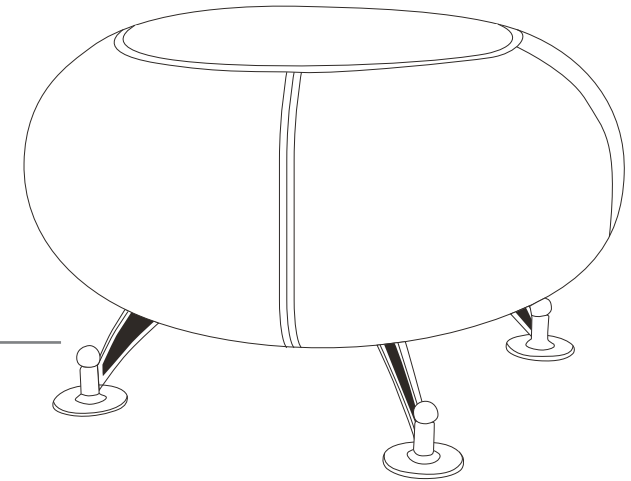
FEATURES

- » Available in 2 options only
- » Moulded polyurethane foam
- » Zinc legs
- » Available in local fabrics
- » Optional frame or base colour (please allow 5 more days)
- » Suitable for indoor use only
- » 3 year warranty
- » Weight limit is 130kg

INDOOR USE ONLY

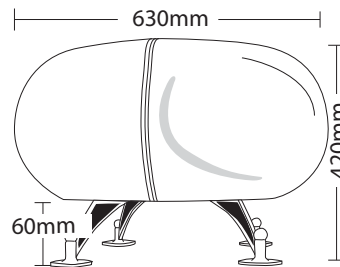
✘ Do not use as a step ladder

MOULDED POLYURETHANE FOAM

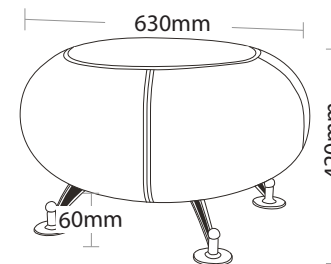


ZINC LEGS

Keep a permanent contact between base of chair and floor



RADIUS-1



RADIUS-2

RADIUS



RADIUS-1



RADIUS-2



GROUP

R9 BAR STOOLS

GAMMA, LIFT, VEGAS AND FLOW



FEATURES

GAMMA/ VEGAS FEATURES

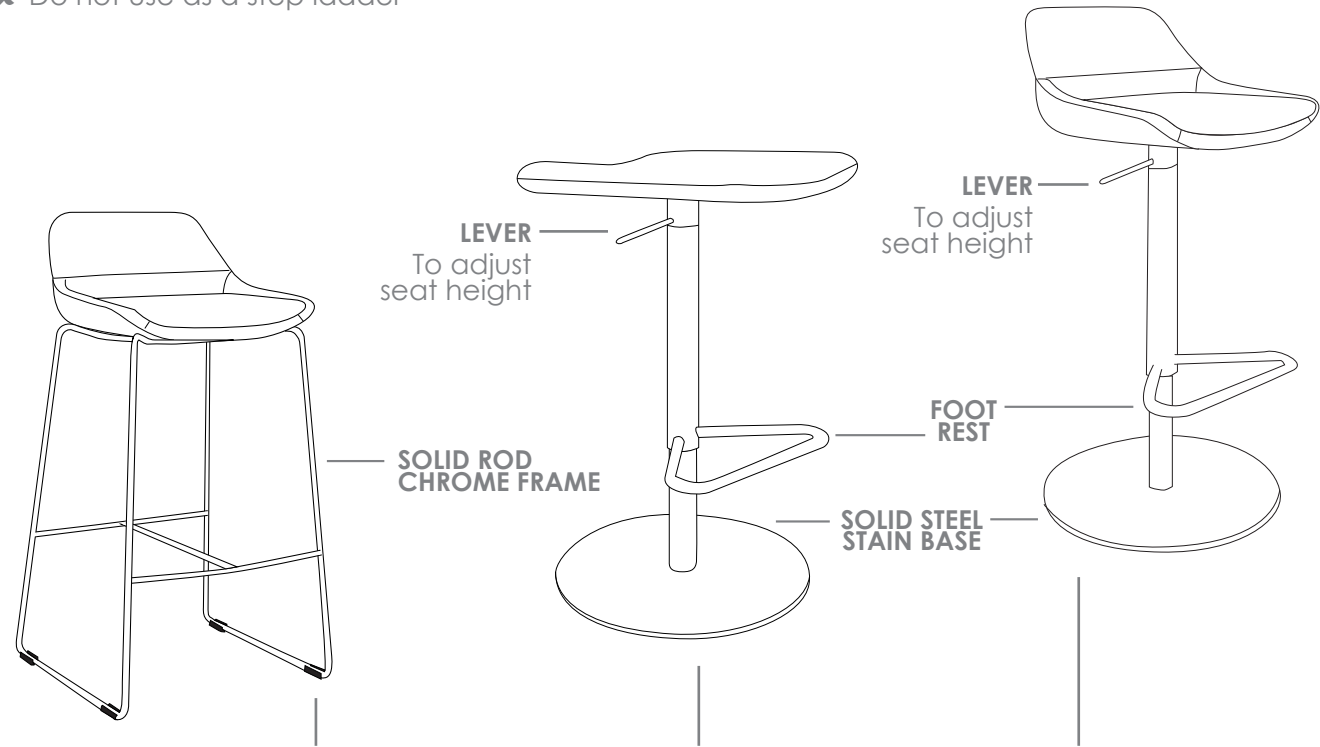
- » Solid rod chrome frame
- » Available in local fabrics
- » Optional frame or base colour (please allow 5 more days)
- » Suitable for indoor use only
- » 4 year warranty
- » Weight limit is 120kg

LIFT/ FLOW FEATURES

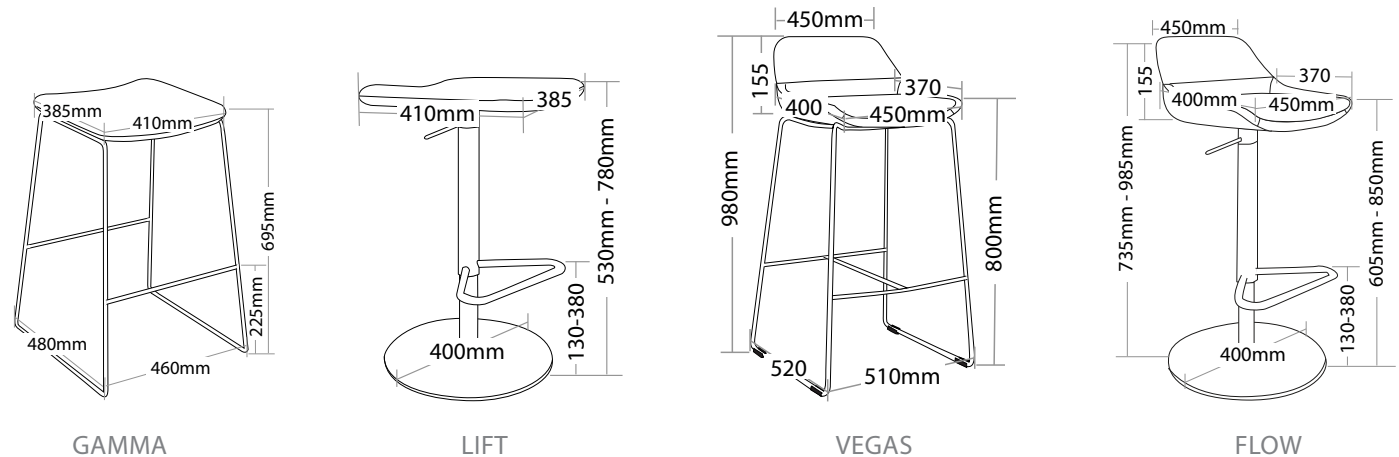
- » Adjustable seat height
- » Solid steel stain base
- » Foot rest
- » Available in local fabrics
- » Suitable for indoor use only
- » 4 year warranty
- » Weight limit is 120kg

INDOOR USE ONLY

X Do not use as a step ladder



Keep a permanent contact between base of chair and floor



GAMMA, LIFT, VEGAS AND FLOW BAR STOOLS



GAMMA



LIFT



VEGAS



FLOW

R10 SOFT SEATING

BLITZ

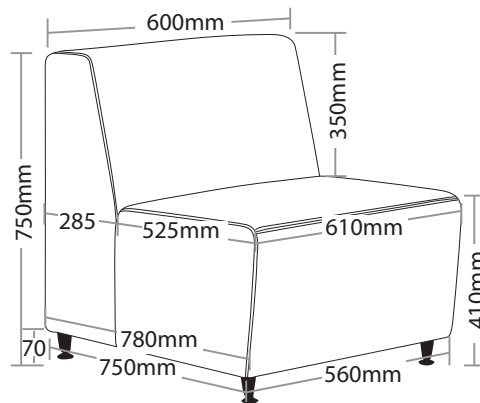
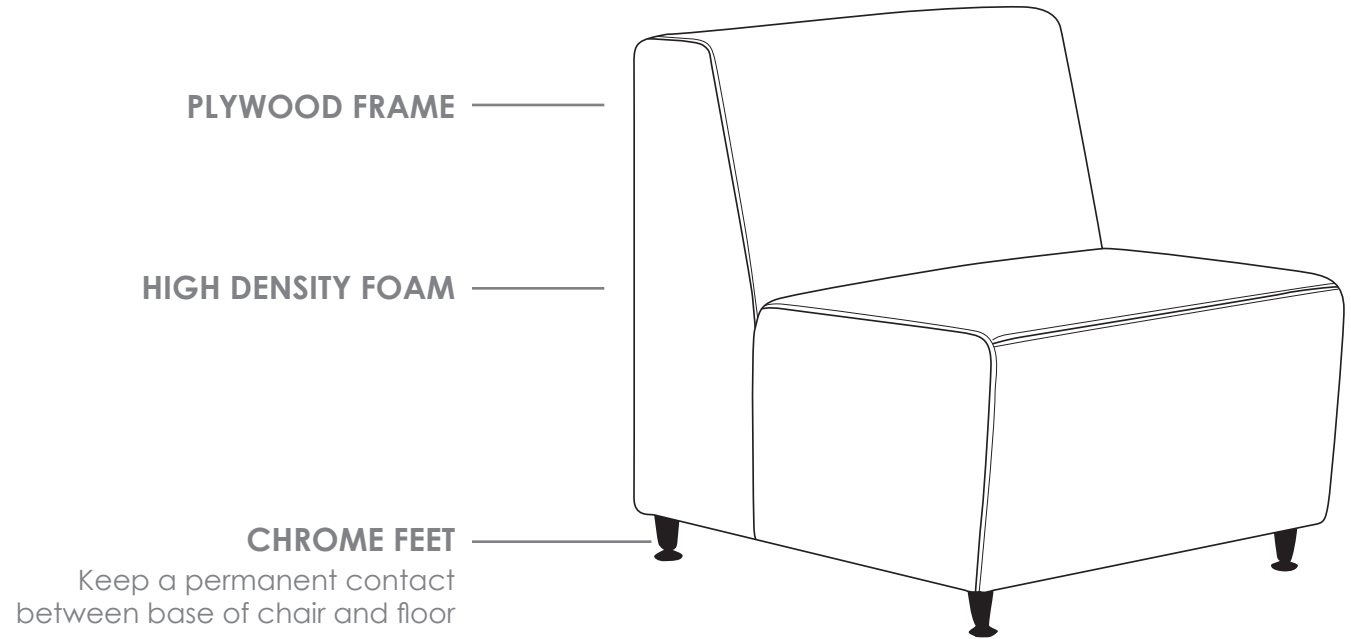


FEATURES

- » High density foam
- » Zig zag steel spring
- » Plywood frame
- » Chrome feet
- » Available in local fabrics
- » Optional frame or base colour (please allow 5 more days)
- » Suitable for indoor use only
- » 5 year warranty
- » Weight limit is 120kg

INDOOR USE ONLY

✘ Do not use as a step ladder



BLITZ-U

BLITZ SOFT SEATING



BLITZ-U



SIDE VIEW



BACK VIEW

R10 SOFT SEATING

TWIST



FEATURES

- » Available in 3 options only
- » High density foam
- » Plywood frame
- » Webbed base
- » Chrome feet
- » Available in local fabrics
- » Optional frame or base colour (please allow 5 more days)
- » Suitable for indoor use only
- » 3 year warranty
- » Weight limit is 120kg

INDOOR USE ONLY

X Do not use as a step ladder

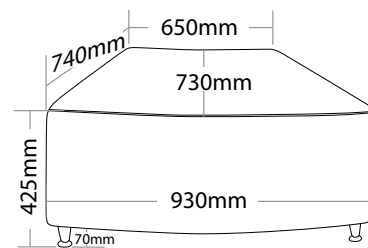
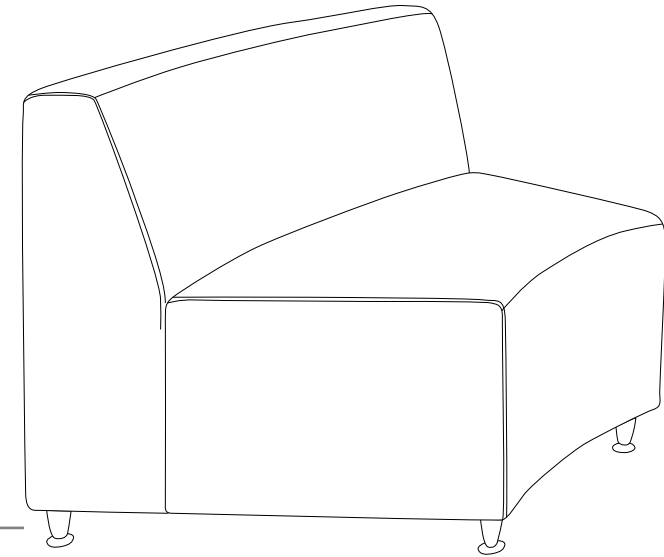
HIGH DENSITY FOAM

PLYWOOD FRAME

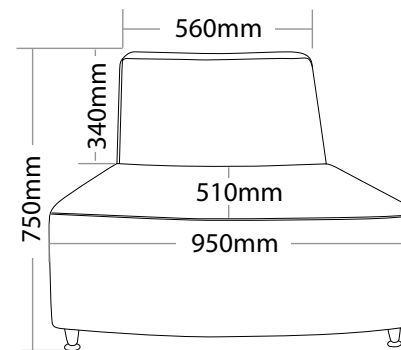
WEBBED BASE

CHROME FEET

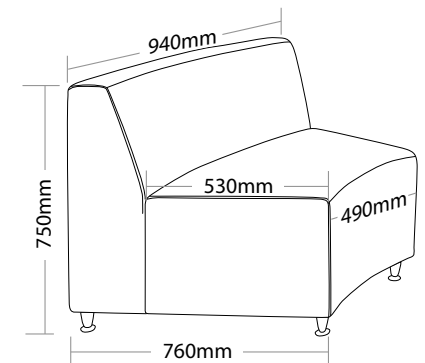
Keep a permanent contact between base of chair and floor



TWIST-OT



TWIST-SO



TWIST-SI

TWIST SOFT SEATING



TWIST-OT



TWIST-SO



TWIST-SI



GROUP

R10 SOFT SEATING

MONTAGE

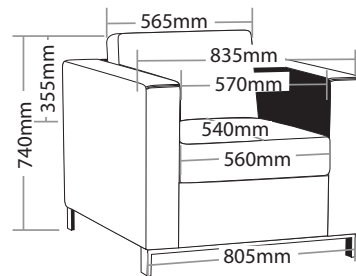
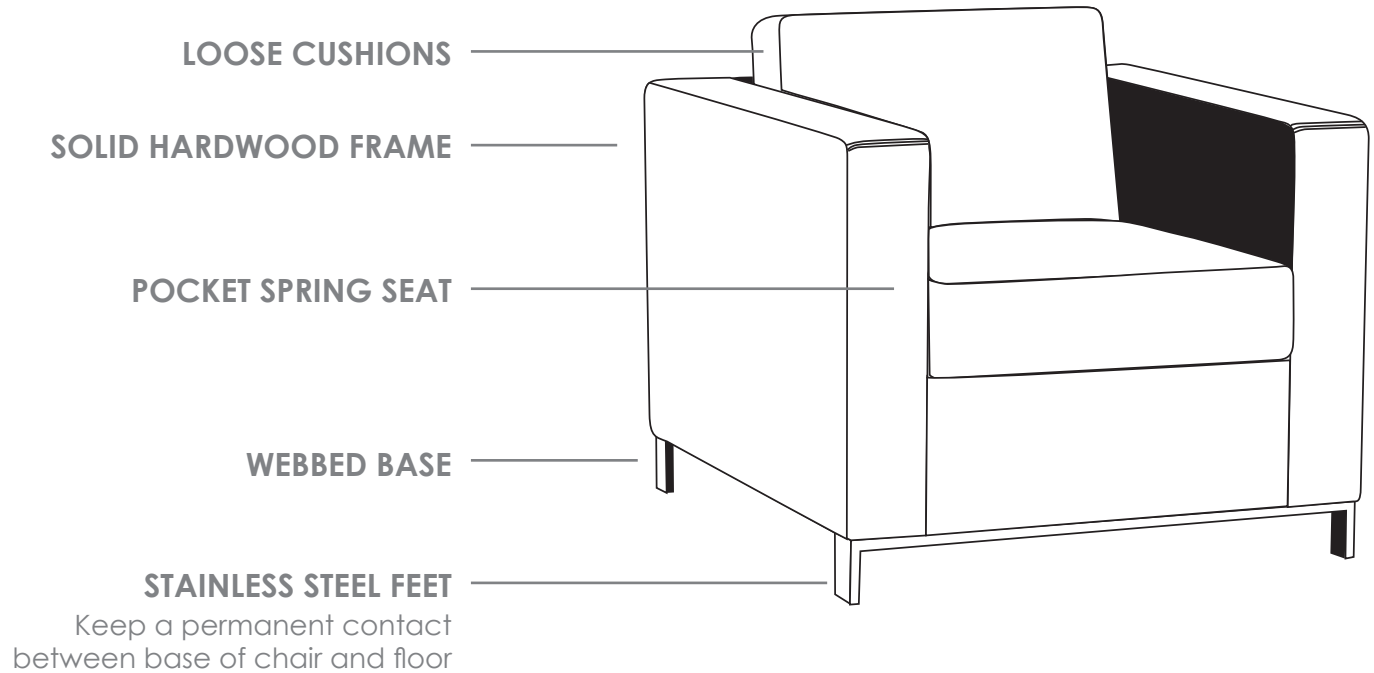


FEATURES

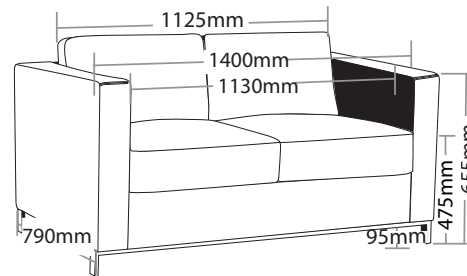
- » Optional 1, 2 or 3 seater
- » Pocket spring seat
- » Loose cushions upholstered both sides
- » Zig zag steel spring
- » Webbed base
- » Solid hardwood frame
- » Stainless steel feet
- » Available in all local fabrics
- » Optional frame or base colour (please allow 5 more days)
- » Suitable for indoor use
- » 5 year warranty
- » Weight limit for 1 seater is 130kg
- » Weight limit for 2 seater is 260kg
- » Weight limit for 3 seater is 390kg

INDOOR USE ONLY

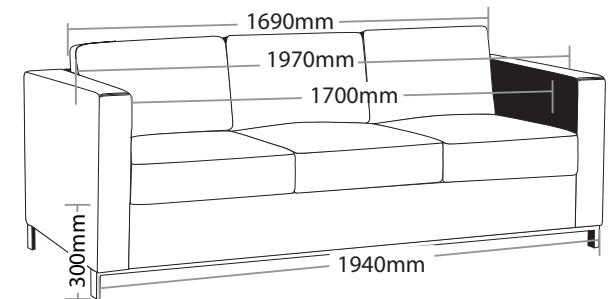
X Do not use as a step ladder



MO-1S



MO-2S



MO-3S

MONTAGE SOFT SEATING



MO-15



MO-25



MO-35

R10 SOFT SEATING

CONCEPT



FEATURES

- » Optional 1, 2 or 3 seater
- » High density foam
- » Zig zag steel spring
- » Plywood frame
- » Black mental arm and feet
- » Available in all local fabrics
- » Optional frame or base colour (please allow 5 more days)
- » Suitable for indoor use
- » 5 year warranty
- » Weight limit for 1 seater is 120kg
- » Weight limit for 2 seater is 240kg
- » Weight limit for 3 seater is 360kg

INDOOR USE ONLY

✗ Do not use as a step ladder

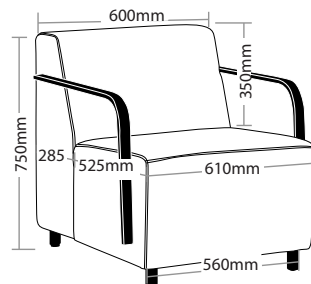
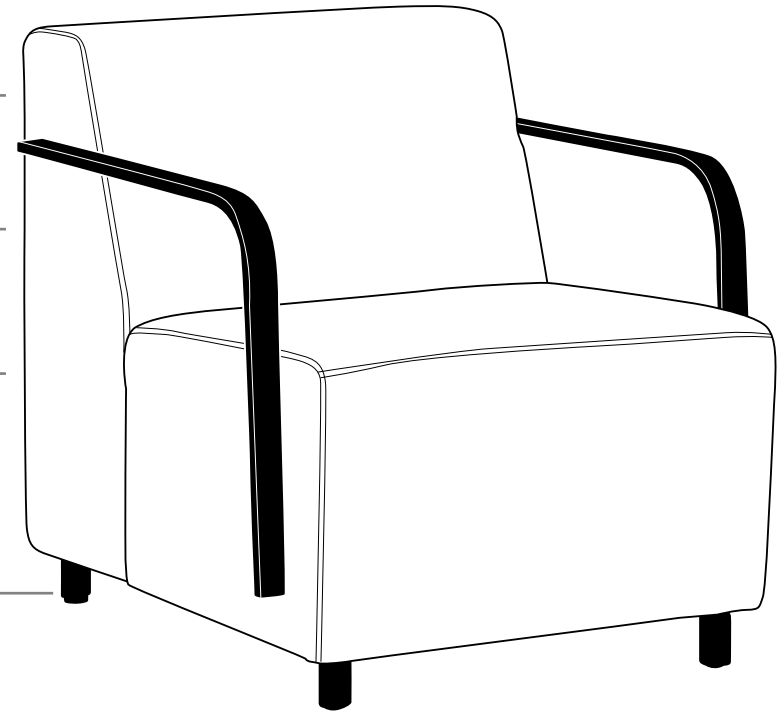
PLYWOOD FRAME

HIGH DENSITY FOAM

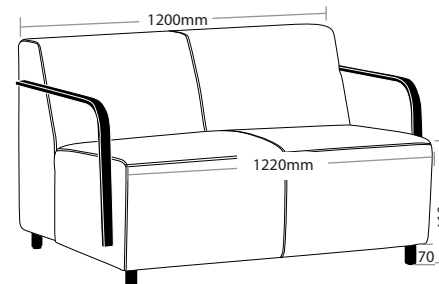
ZIG ZAG STEEL SPRING

BLACK FEET

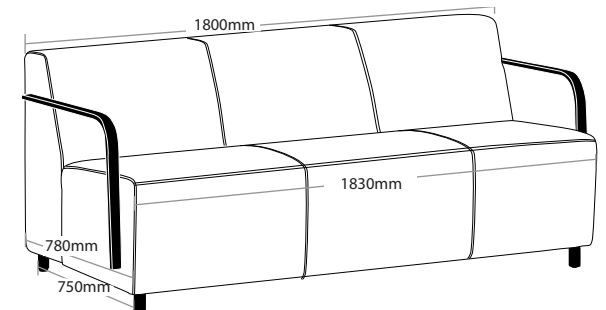
Keep a permanent contact between base of chair and floor



CON-1



CON-2



CON-3

CONCEPT SOFT SEATING



CON-1



CON-2



CON-3

R10 SOFT SEATING

SHELL

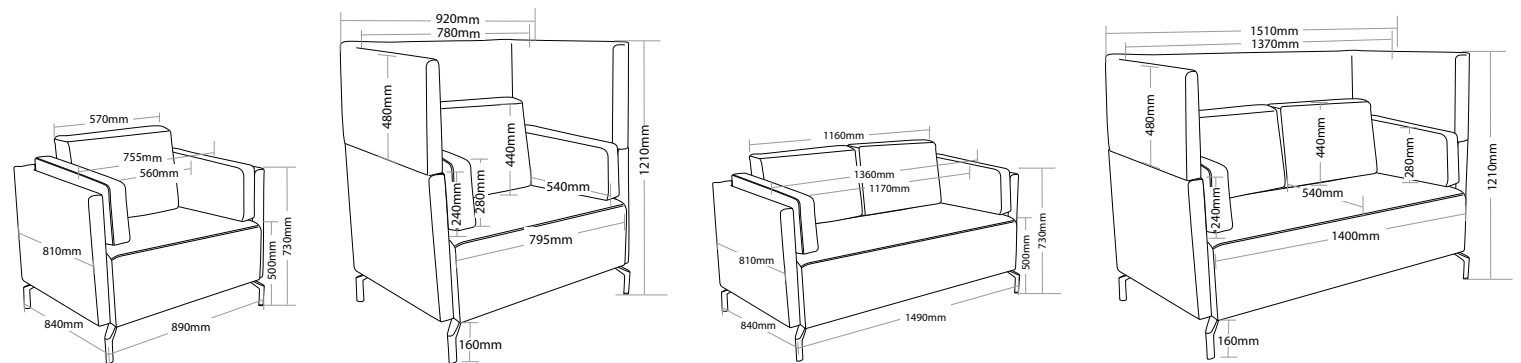
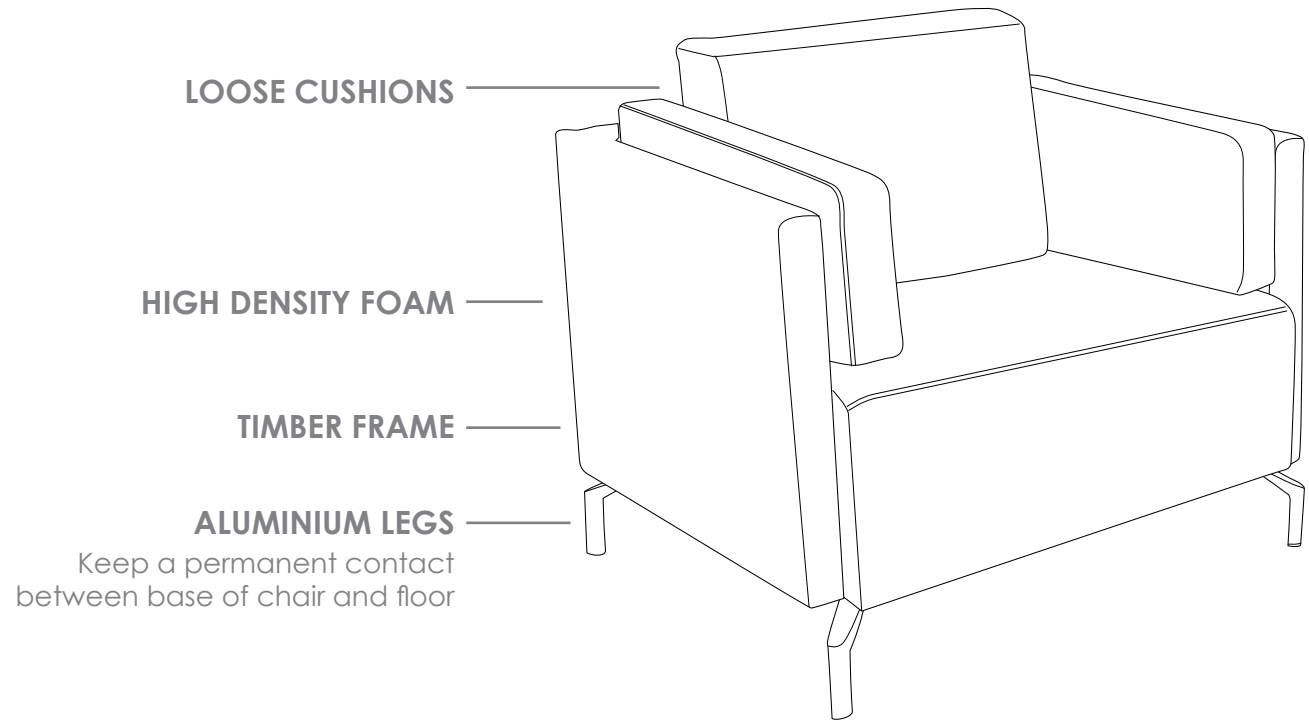


FEATURES

- » Australian made
- » Available in 1 or 2 seater (custom size available, please contact office)
- » High density foam
- » Loose cushions upholstered both sides
- » Timber frame
- » Aluminum legs
- » Available in local fabrics (two tone available, please contact office)
- » Optional frame or base colour (please allow 5 more days)
- » Suitable for indoor use
- » 5 year warranty
- » Weight limit for 1 seater is 130kg
- » Weight limit for 2 seater is 260kg

INDOOR USE ONLY

X Do not use as a step ladder



SHELL-1S

SHELL-1SH

SHELL-2S

SHELL-2SH

SHELL SOFT SEATING



SHELL-1S



SHELL-1SH



SHELL-2S



SHELL-2SH

R11 SCREENS

ACOUSTIC



FEATURES

- » Australian made
- » Solid timber frame
- » Frames wrapped with a 10mm layer of foam
- » Frames wrapped with a layer of cardboard
- » 19mm metal side frame
- » Optional frame or base colour (please allow 5 more days)
- » Suitable for indoor use
- » 2 year warranty

OPTIONS

CODE	SCREEN SIZE (HXW)
FAS-1212	1200x1200mm
FAS-1215	1200x1500mm
FAS-1218	1200x1800mm
FAS-1512	1500x1200mm
FAS-1515	1500x1500mm
FAS-1518	1500x1800mm
FAS-1812	1800x1200mm
FAS-1815	1800x1500mm
FAS-1818	1800x1800mm

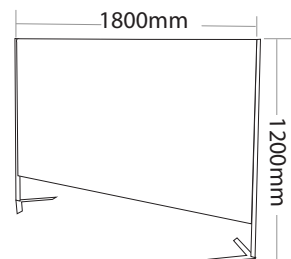
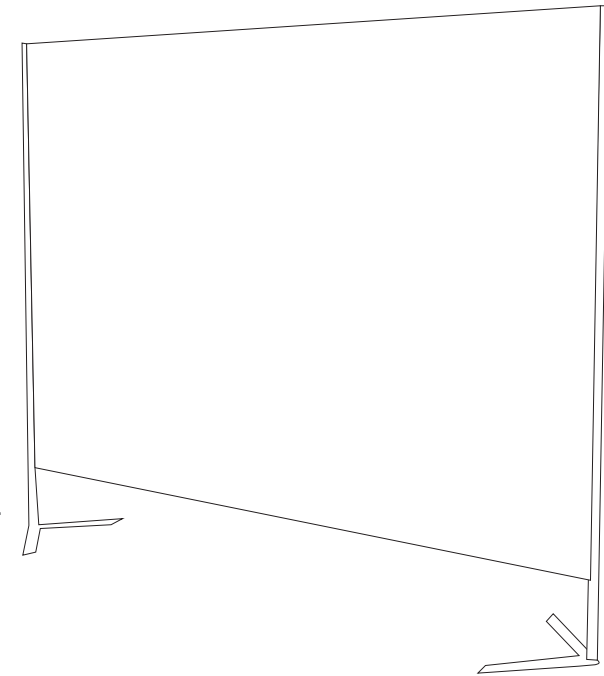
INDOOR USE ONLY

✘ Do not use as a step ladder

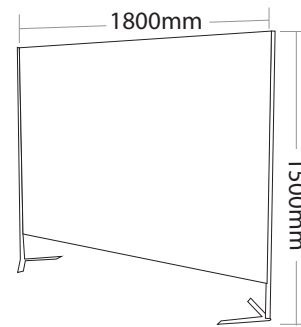
SOLID TIMBER FRAME

19MM METAL SIDE FRAME

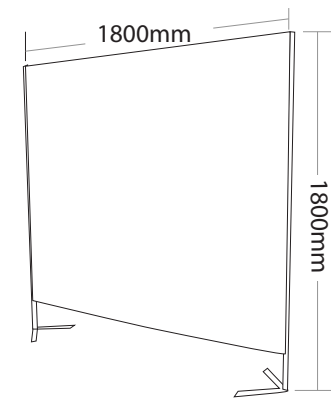
Keep a permanent contact between base of chair and floor



FAS-1218



FAS-1518



FAS-1818

ACOUSTIC SCREENS



FAS-1218



FAS-1518



FAS-1818

R12 INDUSTRIAL STOOLS

STATE



FEATURES

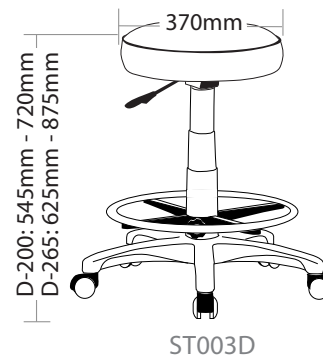
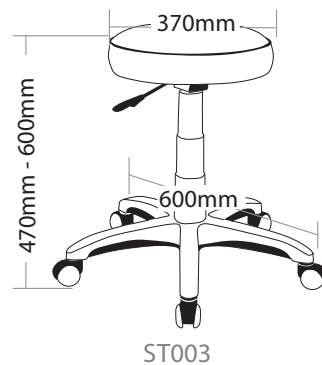
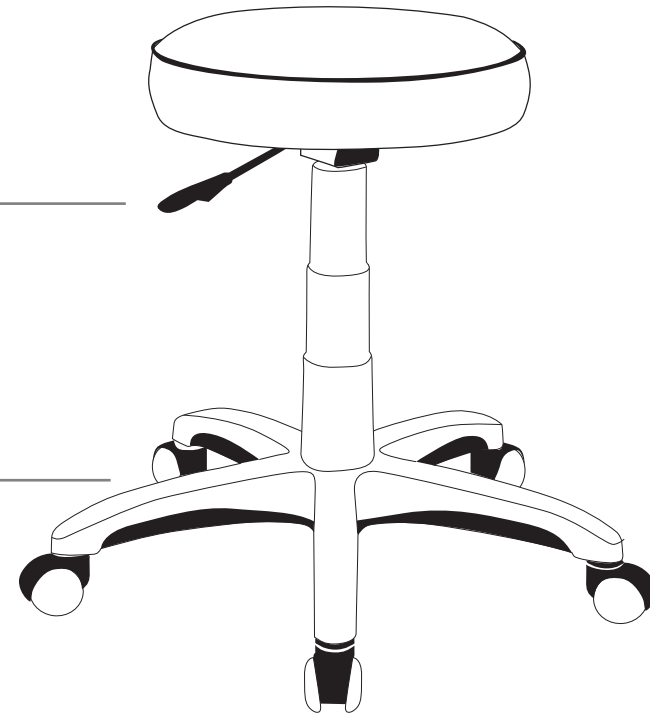
- » Adjustable seat height
- » Optional drafting kit
- » Optional glides or brake castors
- » 600mm black nylon base
- » Available in local fabrics
- » Suitable for indoor use
- » 5 year warranty
- » Weight limit is 120kg

INDOOR USE ONLY

X Do not use as a step ladder

LEVER
To adjust seat height

**600MM BLACK NYLON
5 STAR BASE WITH CASTORS**
Use soft tyred castors for tiles
Use hard tyred castors for carpet



STATE INDUSTRIAL STOOL



ST003



ST003D

NSW BRANCH

A: 83-85 Percival Road, Smithfield 2164



VIC BRANCH

A: 21-23 Edison Rd, Dandenong South 3175



QLD BRANCH

A: 3 Aliciajay Circuit, Luscombe 4207

