

# CATALOGUE

2022-2023

Effective on 01/09/2022



**STYLE<sup>®</sup> X PRESS**  
Seating On Demand 



Warranty period for chairs and lounges



Weight rating for individual chairs and lounges\*



Fully imported Chairs, lounges, parts and components.



The Performance criteria adopted for certification by Furntech is based on Australian standards, e.g. Level 6 - Severe commercial and heavy industrial.\*

*\*Weight limits are self-rated by Style Ergonomic Australia. AFRDI approved chairs are normally rated to 110kg.*

AFRDI 142 Certification



AFRDI rating for multi shift use and 160kg weight limit.



Furntech is an independent not-for-profit technical organisation providing standards, testing product certification and research for buyers and sellers of furniture.



BIFMA is a third-party certification program that provides manufacturers with valuable feedback for evaluating the environmental, human, and social impacts of their furniture products for manufacturing, facility, and organisation.



All instructions of use are instructed while sitting in the chair.

# CONTENTS

## R1- TASK MESH SEATING

Intro range .....	4
Yarra range .....	6
Rio range .....	8
Expo range .....	10
Hino range .....	12
Brent range .....	14

## R2- TASK SEATING

P350 range .....	16
Aqua range .....	18
Click range .....	20
TR600 range .....	22
Spot range .....	24

## R3 - BOARDROOM SEATING

Capri range .....	26
Gala range .....	28
Chevy range .....	30
Web range .....	32
Volt range .....	34

## R4 - MULTI SHIFT SEATING

Siren range .....	36
Logan range .....	38
Oyster range .....	40
Rover range .....	42
Ranger range .....	44
Impact range .....	46

## R5- EXECUTIVE MESH SEATING

Gibbs range .....	48
Bolt range .....	50
Kube range .....	52
Baxter range .....	54
Evita range .....	56
Zodiac range .....	58
Renata range .....	60
Ergo-1 range .....	62

## R6- EXECUTIVE SEATING

Hilton range .....	64
Cruz range .....	66
Venus range .....	68
Ohio range .....	70
Camry range .....	72
Boston range .....	74
Grand range .....	76
Flash range .....	78
Select range .....	80
Enzo range .....	82
Magnum range .....	84
Captain range .....	86

## R7 - HOSPITALITY SEATING

Neo range .....	88
Rose range .....	90
Focus range .....	92
Vinn range .....	94
Pod range .....	98

## R8 - BEAM SEATING

Focus beam range .....	102
Vinn beam range .....	104
Pod beam range .....	106

## R9 - BREAKOUT SEATING

Raven range .....	108
Tonic range .....	110
Oscar range .....	112

## R10 - SOFT SEATING

Orion range .....	114
Blitz range .....	116
Rivet range .....	118
Jaden range .....	120
Plaza range .....	122

## R11 - INDUSTRIAL STOOLS

Cad range .....	124
Stage range .....	126

# R1 TASK MESH SEATING

## INTRO



### FEATURES

- » Adjustable seat height
- » Adjustable seat and back angle
- » Adjustable weight tension
- » Fixed arms
- » Butterfly mechanism
- » 600mm heavy duty 5 star base
- » Available in black, blue, green and red only
- » Minor assembly required
- » Suitable for indoor use only
- » 4 year warranty
- » Weight limit is 120kg

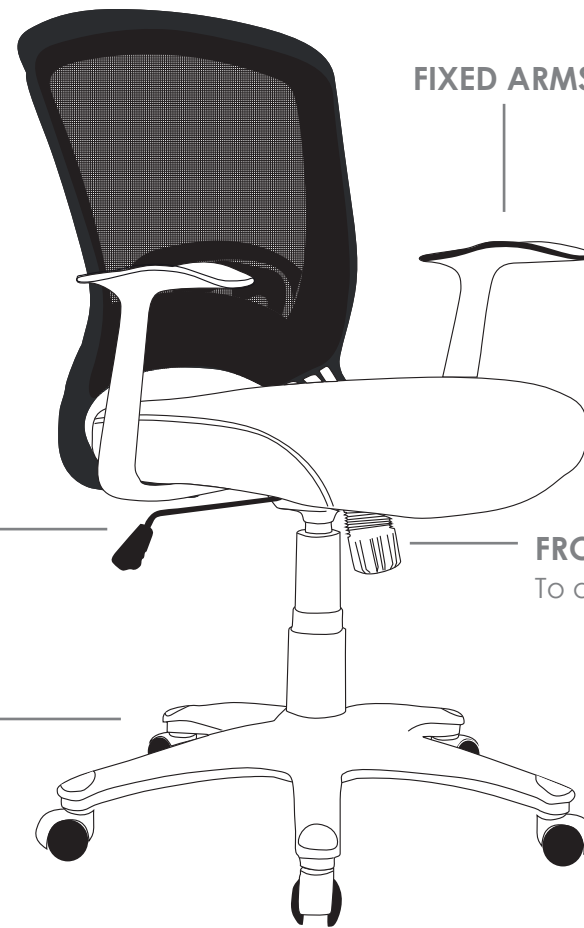
### COLOUR



Black Blue Green Red

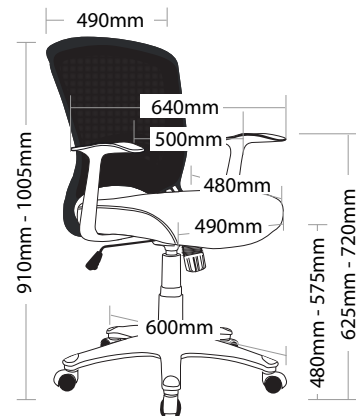
### INDOOR USE ONLY

✗ Do not use as a step ladder



### 600MM HEAVY DUTY 5 STAR BASE WITH CASTORS

Use soft tyred castors for tiles  
Use hard tyred castors for carpet



INTRO

# INTRO TASK MESH SEATING



INTRO-BLACK



INTRO-BLUE



INTRO-GREEN



INTRO-RED

# R1 TASK MESH SEATING

## YARRA

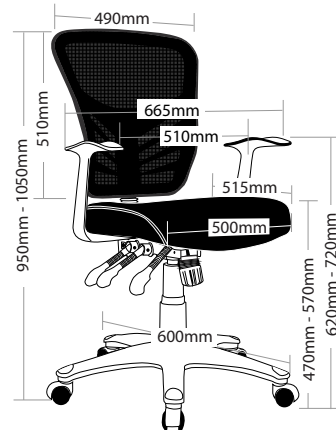
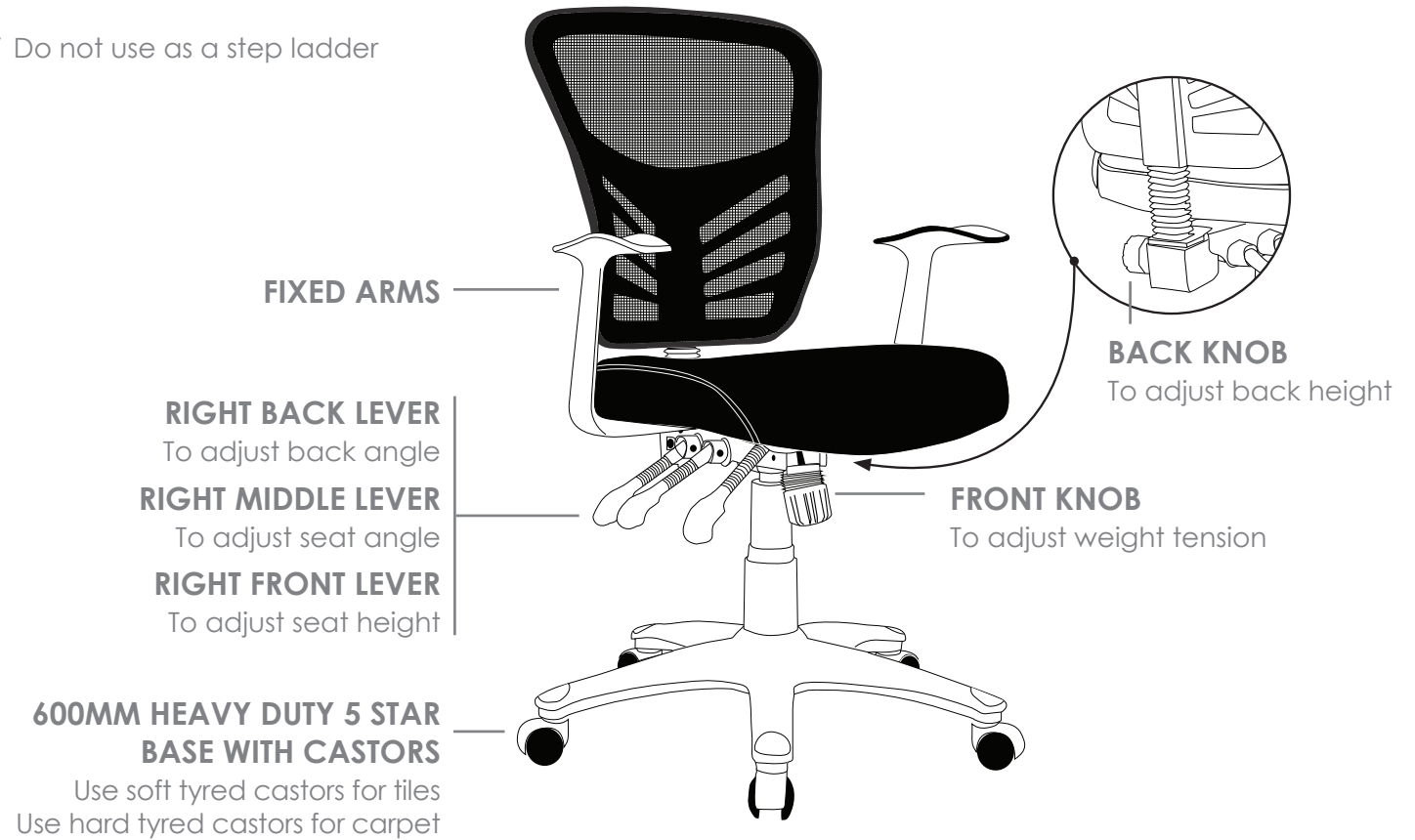


### FEATURES

- » Adjustable seat height
- » Adjustable back height
- » Adjustable seat and back angle
- » Adjustable weight tension
- » Fixed arms
- » 3 lever ergonomic mechanism
- » 600mm heavy duty 5 star base
- » Available in black only
- » Minor assembly required
- » Suitable for indoor use only
- » 4 year warranty
- » Weight limit is 120kg

### INDOOR USE ONLY

X Do not use as a step ladder



YARRA

# YARRA TASK MESH SEATING



YARRA



BACK VIEW



SIDE VIEW

# R1 TASK MESH SEATING

## RIO



### FEATURES

- » Adjustable seat height
- » Adjustable back height (ratchet)
- » Adjustable seat and back angle
- » Optional adjustable arms
- » Optional drafting kit
- » Available in high and low back
- » Moulded seat foam
- » Java seat
- » Mesh back
- » 3 lever ergonomic mechanism
- » 600mm black nylon base
- » Available in Metro black only
- » AFRDI tested to level 6
- » Minor assembly required
- » Suitable for indoor use only
- » 7 year warranty
- » Weight limit is 130kg

### INDOOR USE ONLY

✗ Do not use as a step ladder

To adjust back height hold back with two hands while seated and raise to desired height

To lower the back height raise back all the way to the top and release slowly

OPTIONAL  
ADJUSTABLE ARMS

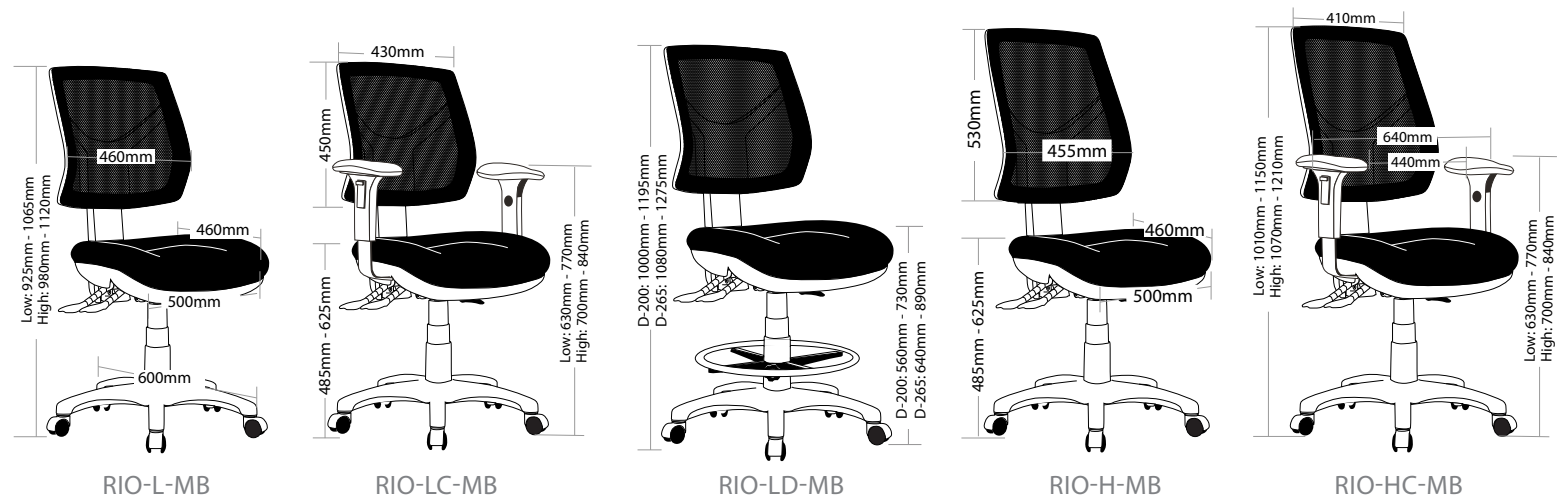
RIGHT BACK LEVER  
To adjust back angle

RIGHT FRONT LEVER  
To adjust seat height

LEFT LEVER  
To adjust seat angle

600MM BLACK NYLON 5 STAR  
BASE WITH CASTORS

Use soft tyred castors for tiles  
Use hard tyred castors for carpet





# RIO TASK MESH SEATING



RIO-L-MB



RIO-LC-MB



RIO-LD-MB



RIO-H-MB



RIO-HC-MB

# R1 TASK MESH SEATING

## EXPO



### FEATURES

- » Adjustable seat height
- » Adjustable back height (ratchet)
- » Adjustable seat and back angle
- » Optional adjustable arms
- » Optional drafting kit
- » Available in high and low back
- » Square seat
- » Moulded seat foam
- » Mesh back
- » 3 lever ergonomic mechanism
- » 660mm black nylon base
- » Available in Metro black only
- » AFRDI tested to level 6
- » Minor assembly required
- » Suitable for indoor use only
- » 7 year warranty
- » Weight limit is 130kg

### INDOOR USE ONLY

✗ Do not use as a step ladder

To adjust back height hold back with two hands while seated and raise to desired height

To lower the back height raise back all the way to the top and release slowly

OPTIONAL ADJUSTABLE ARMS

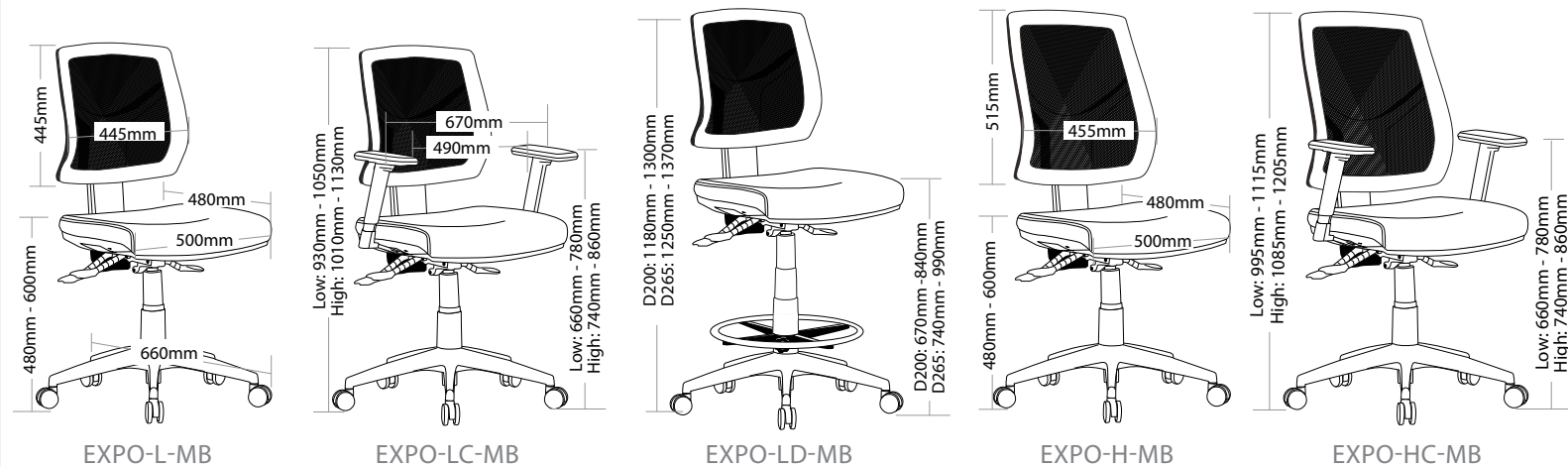
RIGHT BACK LEVER  
To adjust back angle

RIGHT FRONT LEVER  
To adjust seat height

LEFT LEVER  
To adjust seat angle

660MM BLACK NYLON 5 STAR BASE WITH CASTORS

Use soft tyred castors for tiles  
Use hard tyred castors for carpet



# EXPO TASK MESH SEATING



EXPO-L-MB



EXPO-LC-MB



EXPO-LD-MB



EXPO-H-MB



EXPO-HC-MB

# R1 TASK MESH SEATING

## HINO

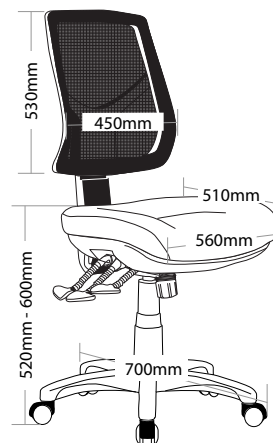
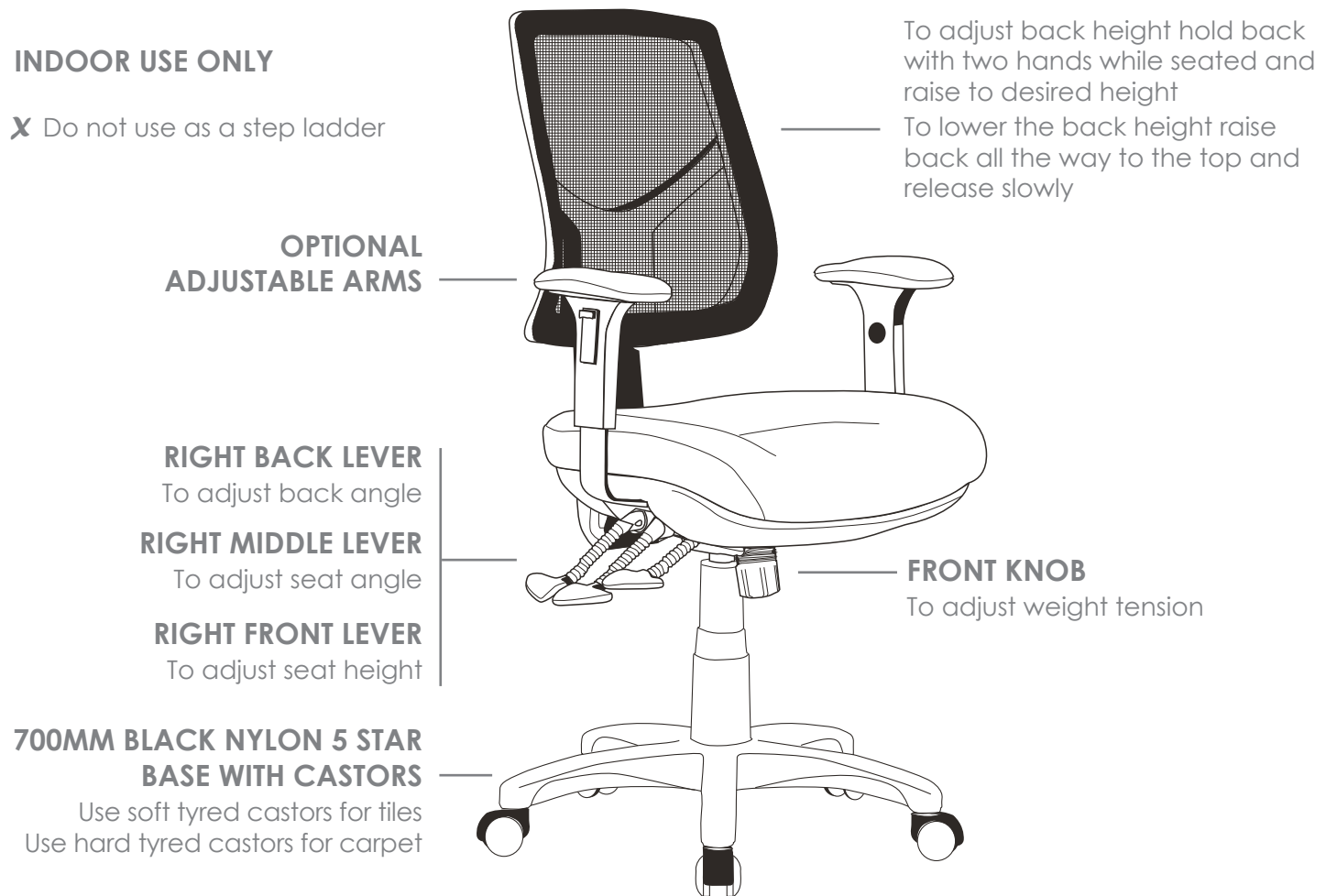


### FEATURES

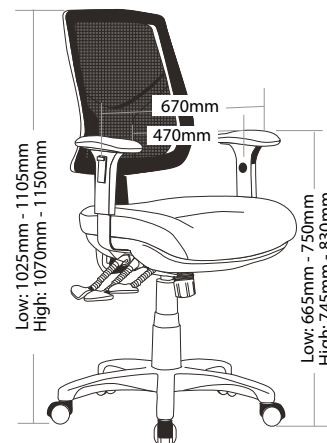
- » Adjustable seat height
- » Adjustable back height (ratchet)
- » Adjustable seat and back angle
- » Adjustable weight tension
- » Optional adjustable arms
- » Moulded seat foam
- » Mega big boy seat
- » Mesh back
- » 3 lever heavy duty ergonomic mechanism
- » 700mm black nylon base
- » Chair not available with drafting kit
- » Available in Metro black only
- » AFRDI tested to level 6
- » Minor assembly required
- » Suitable for indoor use only
- » 7 year warranty
- » Weight limit is 140kg

### INDOOR USE ONLY

✗ Do not use as a step ladder



HINO-MB



HINO-C-MB

# HINO TASK MESH SEATING



HINO-MB



HINO-C-MB



BACK VIEW

# R1 TASK MESH SEATING

## BRENT



### FEATURES

- » Adjustable seat height
- » Adjustable back height (ratchet)
- » Adjustable back and seat angle
- » Adjustable weight tension
- » Adjustable seat depth (build-in seat slider)
- » Adjustable lumbar support
- » Optional adjustable arms
- » Moulded seat foam
- » Big boy seat
- » Mesh back
- » 3 lever ergonomic heavy duty mechanism
- » 700mm black nylon base
- » Available in Metro black only
- » AFRDI tested to level 6
- » Suitable for indoor use only
- » 7 year warranty
- » Weight limit is 140kg

### INDOOR USE ONLY

X Do not use as a step ladder

OPTIONAL  
ADJUSTABLE ARMS

RIGHT BACK LEVER  
To adjust back angle

RIGHT MIDDLE LEVER  
To adjust seat angle

RIGHT FRONT LEVER  
To adjust seat height

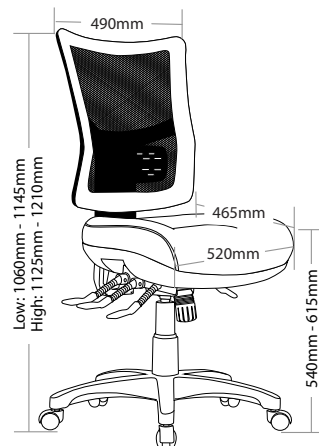
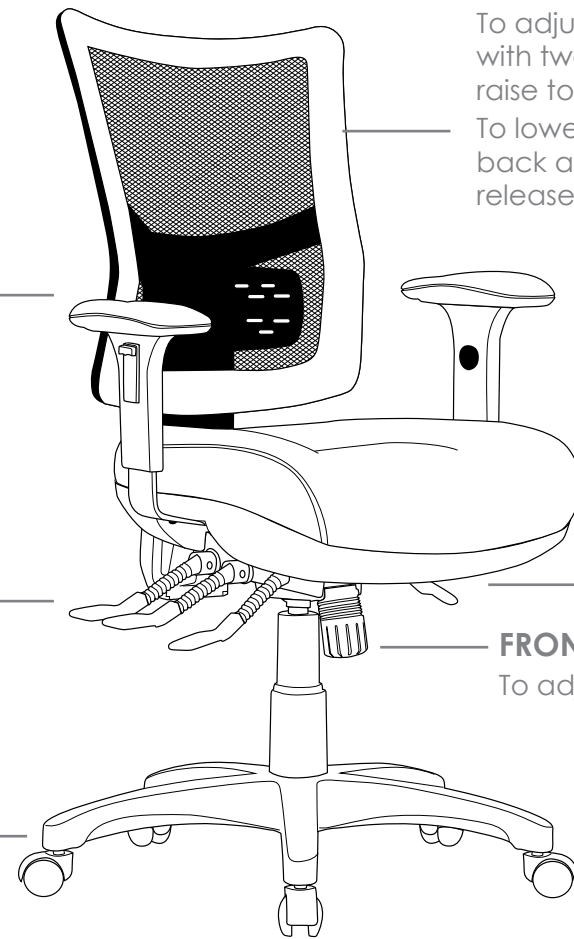
700MM BLACK NYLON 5 STAR  
BASE WITH CASTORS

Use soft tyred castors for tiles  
Use hard tyred castors for carpet

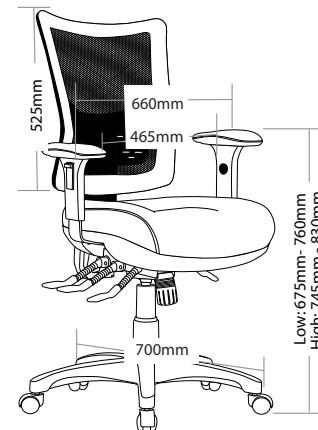
To adjust back height hold back with two hands while seated and raise to desired height  
To lower the back height raise back all the way to the top and release slowly

LEFT LEVER  
To adjust seat depth  
(Build-in seat slider)

FRONT KNOB  
To adjust weight tension



BRENT-MB



BRENT-C-MB

# **BRENT** TASK MESH SEATING



BRENT-MB



BRENT-C-MB



BACK VIEW

# R2 TASK SEATING

## P350

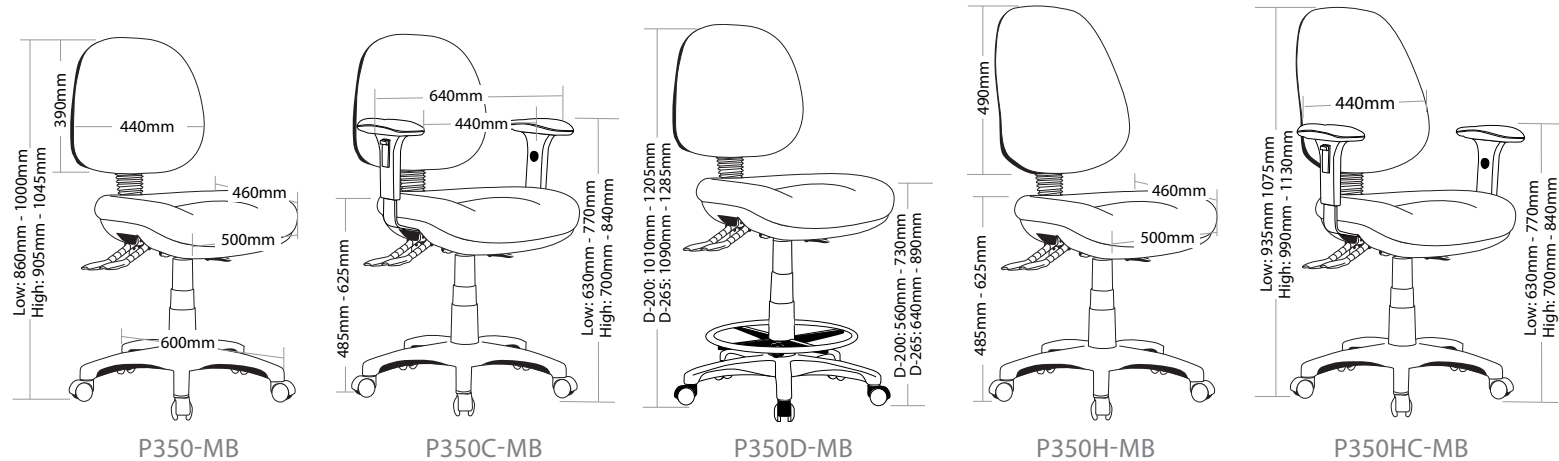


### FEATURES

- » Adjustable seat height
- » Adjustable back height
- » Adjustable seat and back angle
- » Optional adjustable arms
- » Optional drafting kit
- » Available in high and low back
- » Moulded seat and back foam
- » Java seat
- » 3 lever ergonomic mechanism
- » 600mm black nylon base
- » Available in Metro black only
- » AFRDI tested to level 6
- » Minor assembly required
- » Suitable for indoor use only
- » 7 year warranty
- » Weight limit is 130kg

### INDOOR USE ONLY

✗ Do not use as a step ladder





# P350 TASK SEATING



P350-MB



P350C-MB



P350D-MB



P350H-MB



P350HC-MB

# R2 TASK SEATING

## AQUA



### FEATURES

- » Adjustable seat height
- » Adjustable back height (ratchet)
- » Adjustable seat and back angle
- » Optional adjustable arms
- » Optional drafting kit
- » Available in high and low back
- » Moulded seat and back foam
- » Java seat
- » 3 lever ergonomic mechanism
- » 600mm black nylon base
- » Available in Metro black only
- » AFRDI tested to level 6
- » Minor assembly required
- » Suitable for indoor use only
- » 7 year warranty
- » Weight limit is 130kg

### INDOOR USE ONLY

✗ Do not use as a step ladder

To adjust back height hold back with two hands while seated and raise to desired height

To lower the back height raise back all the way to the top and release slowly

OPTIONAL  
ADJUSTABLE ARMS

RIGHT BACK LEVER  
To adjust back angle

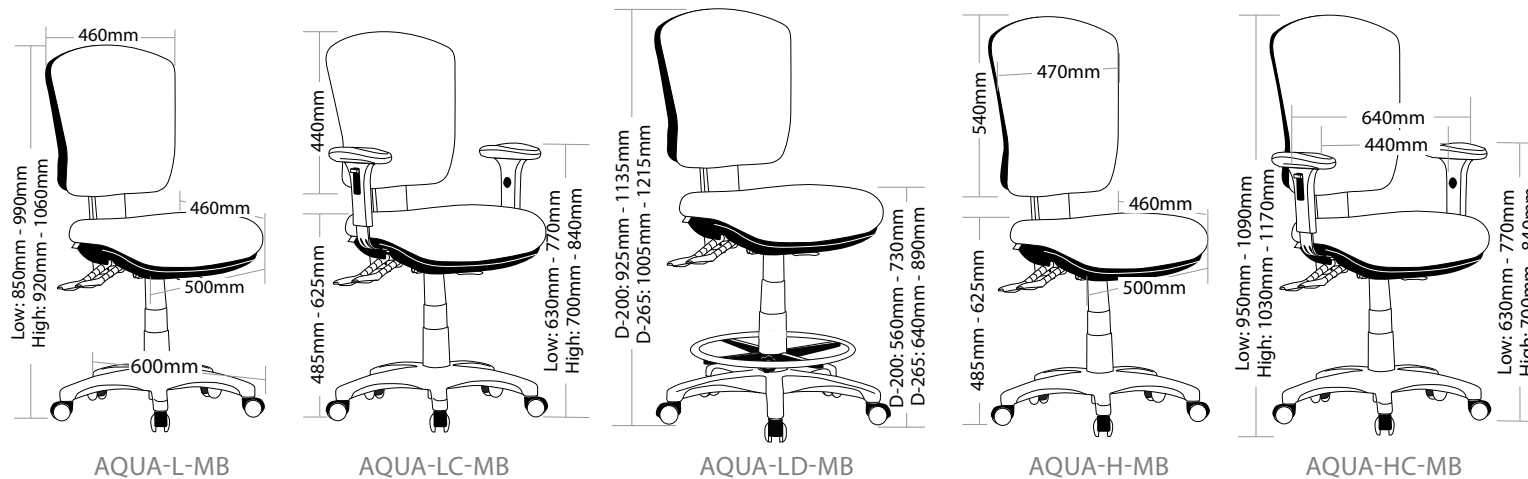
RIGHT FRONT LEVER  
To adjust seat height

LEFT LEVER

To adjust seat angle

600MM BLACK NYLON 5 STAR  
BASE WITH CASTORS

Use soft tyred castors for tiles  
Use hard tyred castors for carpet



# AQUA TASK SEATING



AQUA-L-MB



AQUA-LC-MB



AQUA-LD-MB



AQUA-H-MB



AQUA-HC-MB

# R2 TASK SEATING

## CLICK



### FEATURES

- » Adjustable seat height
- » Adjustable back height (ratchet)
- » Adjustable seat and back angle
- » Optional adjustable arms
- » Optional drafting kit
- » Available in high and low back
- » Moulded seat and back foam
- » Square seat
- » 3 lever ergonomic mechanism
- » 660mm black nylon base
- » Available in Metro black only
- » AFRDI tested to level 6
- » Minor assembly required
- » Suitable for indoor use only
- » 7 year warranty
- » Weight limit is 130kg

### INDOOR USE ONLY

✗ Do not use as a step ladder

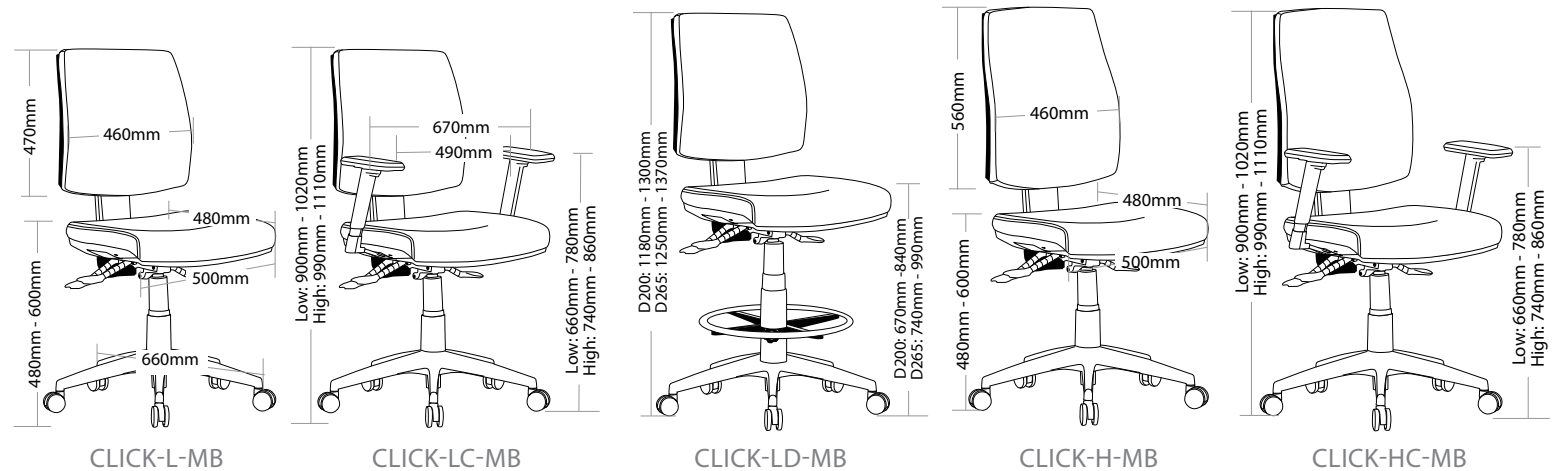
To adjust back height hold back with two hands while seated and raise to desired height  
To lower the back height raise back all the way to the top and release slowly

OPTIONAL ADJUSTABLE ARMS

RIGHT BACK LEVER  
To adjust back angle  
RIGHT FRONT LEVER  
To adjust seat height

LEFT LEVER  
To adjust seat angle

660MM BLACK NYLON 5 STAR BASE WITH CASTORS  
Use soft tyred castors for tiles  
Use hard tyred castors for carpet



# CLICK TASK SEATING



CLICK-L-MB



CLICK-LC-MB



CLICK-LD-MB



CLICK-H-MB



CLICK-HC-MB

# R2 TASK SEATING

## TR600

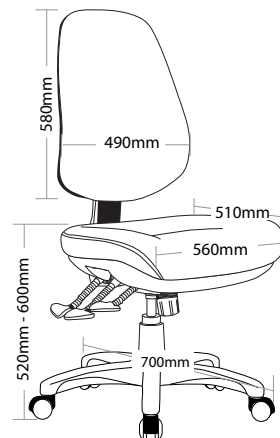


### FEATURES

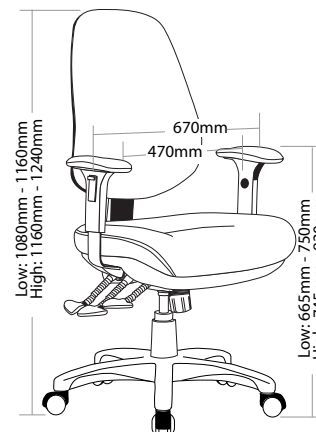
- » Adjustable seat height
- » Adjustable back height (ratchet)
- » Adjustable seat and back angle
- » Adjustable weight tension
- » Optional adjustable arms
- » Moulded seat and back foam
- » Mega big boy seat
- » 3 lever heavy duty ergonomic mechanism
- » 700mm black nylon base
- » Chair not available with drafting kit
- » Available in Metro black only
- » AFRDI tested to level 6
- » Minor assembly required
- » Suitable for indoor use only
- » 7 year warranty
- » Weight limit is 140kg

### INDOOR USE ONLY

✗ Do not use as a step ladder



TR600-MB



TR600-C-MB

# TR600 TASK SEATING



TR600-MB



TR600-C-MB



BACK VIEW

# R2 TASK SEATING

## SPOT



### FEATURES

- » Adjustable seat height
- » Adjustable back height (ratchet)
- » Adjustable seat and back angle
- » Adjustable weight tension
- » Optional adjustable arms
- » Moulded seat and back foam
- » Mega big boy seat
- » 3 lever heavy duty ergonomic mechanism
- » 700mm black nylon base
- » Chair not available with drafting kit
- » Available in Metro black only
- » AFRDI tested to level 6
- » Minor assembly required
- » Suitable for indoor use only
- » 7 year warranty
- » Weight limit is 140kg

### INDOOR USE ONLY

X Do not use as a step ladder

OPTIONAL  
ADJUSTABLE ARMS

RIGHT BACK LEVER

To adjust back angle

RIGHT MIDDLE LEVER

To adjust seat angle

RIGHT FRONT LEVER

To adjust seat height

700MM BLACK NYLON 5 STAR  
BASE WITH CASTORS

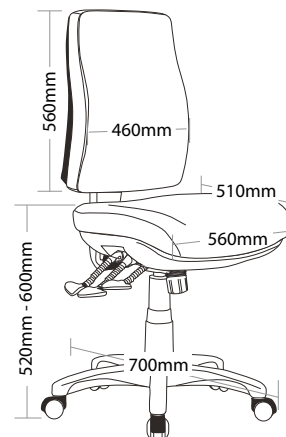
Use soft tyred castors for tiles  
Use hard tyred castors for carpet

To adjust back height hold back with two hands while seated and raise to desired height

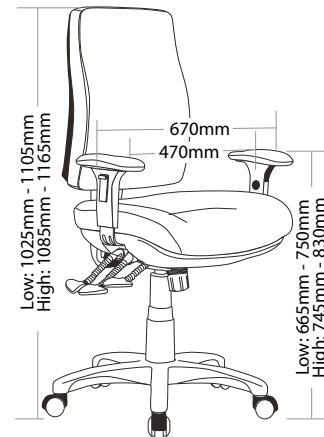
To lower the back height raise back all the way to the top and release slowly

FRONT KNOB

To adjust weight tension



SPOT-MB



SPOT-C-MB



# SPOT TASK SEATING



SPOT-MB



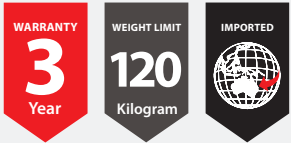
SPOT-C-MB



BACKVIEW

# R3 BOARDROOM SEATING

## CAPRI

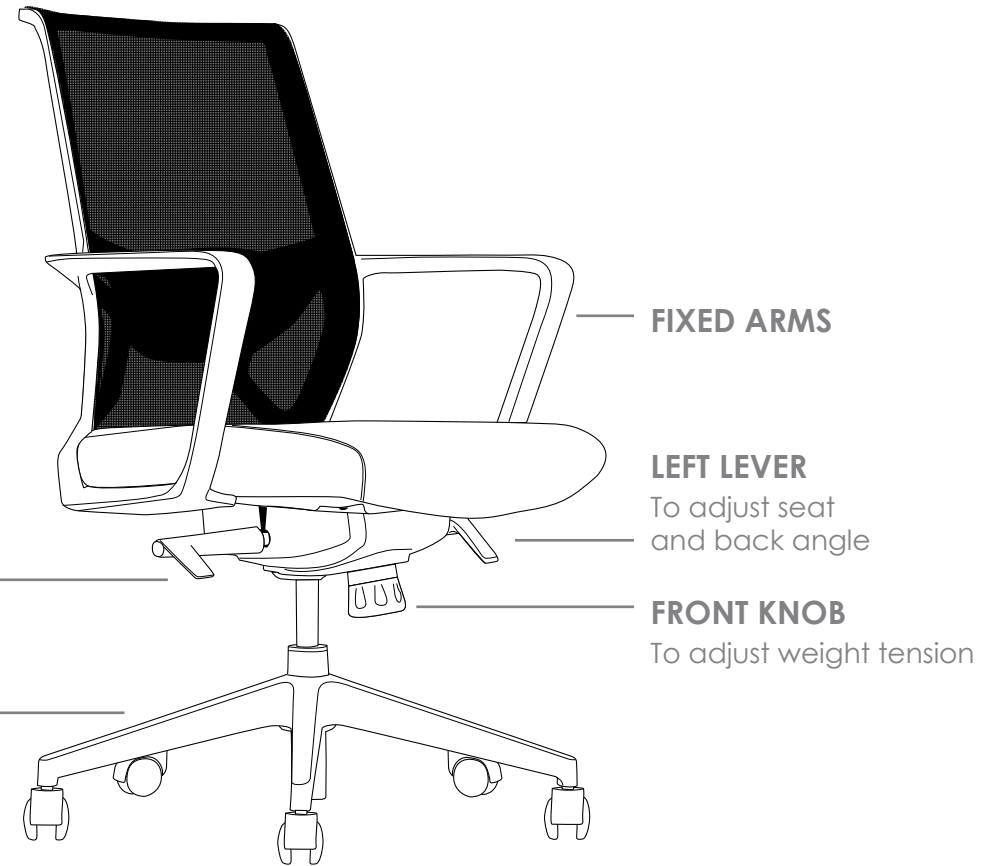


### FEATURES

- » Adjustable seat height
- » Adjustable seat and back angle
- » Adjustable weight tension
- » Fixed arms
- » Mesh back
- » Knee tilt mechanism with 3 locking positions
- » 680mm black nylon 5 star base
- » Available in black only
- » Minor assembly required
- » Suitable for indoor use only
- » 3 year warranty
- » Weight limit is 120kg

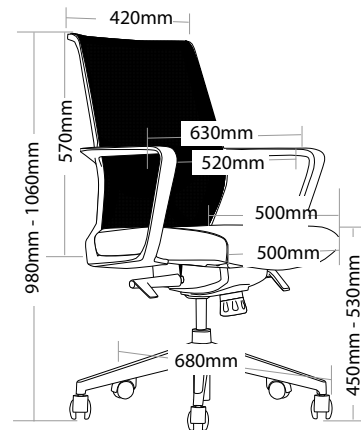
### INDOOR USE ONLY

X Do not use as a step ladder



### 680MM BLACK NYLON 5 STAR BASE WITH CASTORS

Use soft tyred castors for tiles  
Use hard tyred castors for carpet



CAPRI

# CAPRI BOARDROOM SEATING



CAPRI



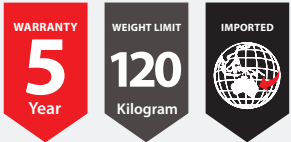
BACK VIEW



SIDE VIEW

# R3 BOARDROOM SEATING

## GALA

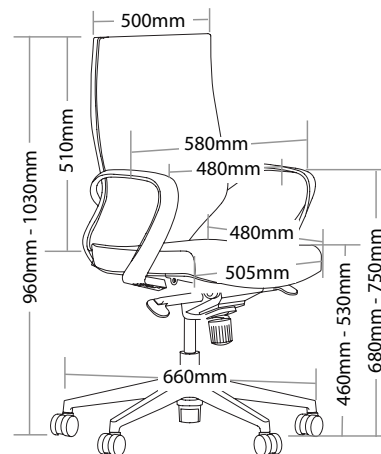
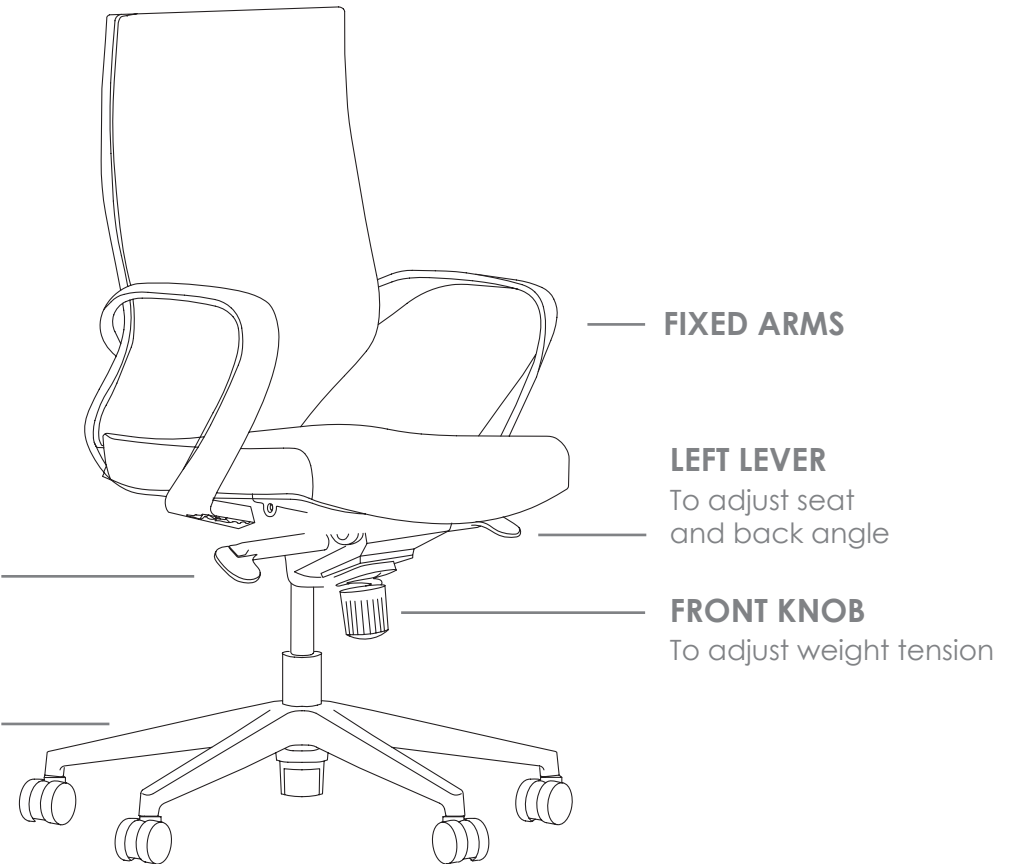


### FEATURES

- » Adjustable seat height
- » Adjustable seat and back angle
- » Adjustable weight tension
- » Fixed arms
- » Mesh black
- » Knee tilt mechanism with 3 locking positions
- » 660mm black nylon base
- » Available in black only
- » Minor assembly required
- » Suitable for indoor use only
- » 5 year warranty
- » Weight limit is 120kg

### INDOOR USE ONLY

**X** Do not use as a step ladder



GALA

# **GALA** BOARDROOM SEATING



GALA



BACK VIEW



SIDE VIEW

# R3 BOARDROOM SEATING

## CHEVY

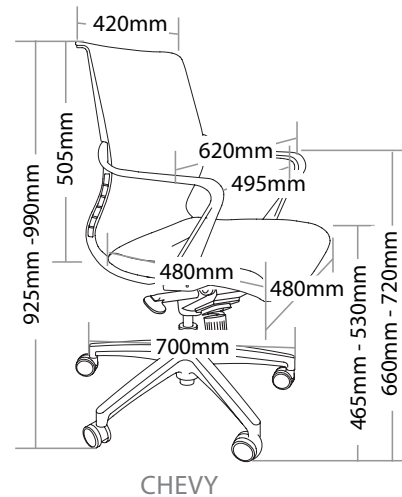
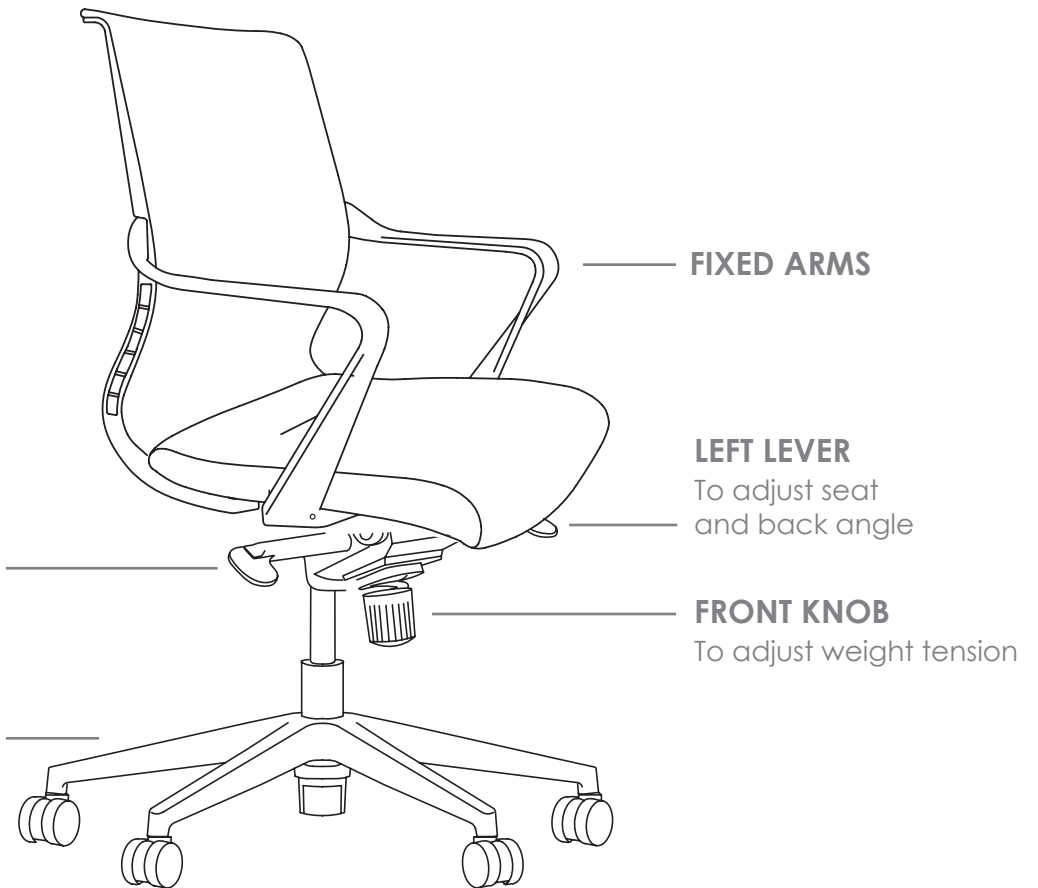


### FEATURES

- » Adjustable seat height
- » Adjustable seat and back angle
- » Adjustable weight tension
- » Fixed arms
- » Mesh back
- » Knee tilt mechanism with 3 locking positions
- » 700mm black nylon base
- » Available in black only
- » Minor assembly required
- » Suitable for indoor use only
- » 5 year warranty
- » Weight limit is 120kg

### INDOOR USE ONLY

X Do not use as a step ladder



# CHEVY BOARDROOM SEATING



CHEVY



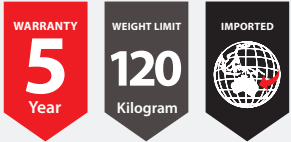
BACK VIEW



SIDE VIEW

# R3 BOARDROOM SEATING

## WEB



### FEATURES

- » Adjustable seat height
- » Adjustable seat and back angle
- » Adjustable weight tension
- » Fixed chrome arms
- » Knee tilt mechanism with 3 locking positions
- » 700mm aluminium base
- » Available in black PU only
- » Minor assembly required
- » Suitable for indoor use only
- » 5 year warranty
- » Weight limit is 120kg

### INDOOR USE ONLY

X Do not use as a step ladder

FIXED CHROME ARMS

RIGHT LEVER

To adjust seat height

LEFT LEVER

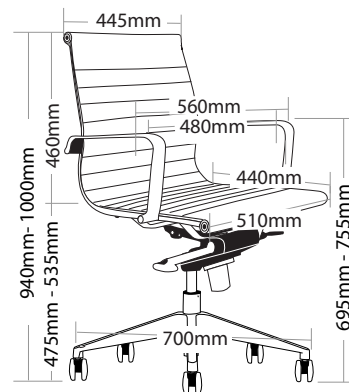
To adjust seat and back angle

FRONT KNOB

To adjust weight tension

700MM ALUMINIUM 5 STAR BASE WITH CASTORS

Use soft tyred castors for tiles  
Use hard tyred castors for carpet



WEB-LB



# WEB BOARDROOM SEATING



WEB-LB



SIDE VIEW



BACK VIEW

# R3 BOARDROOM SEATING

## VOLT



### FEATURES

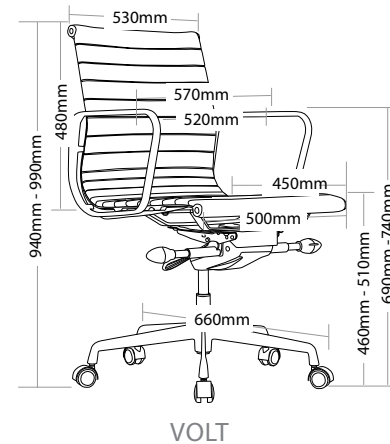
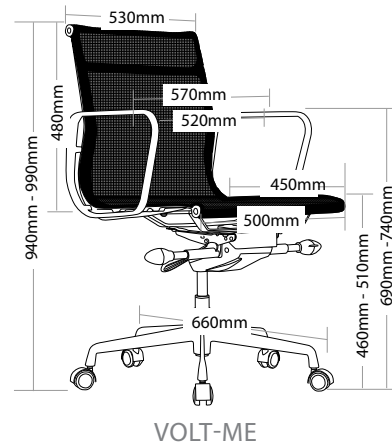
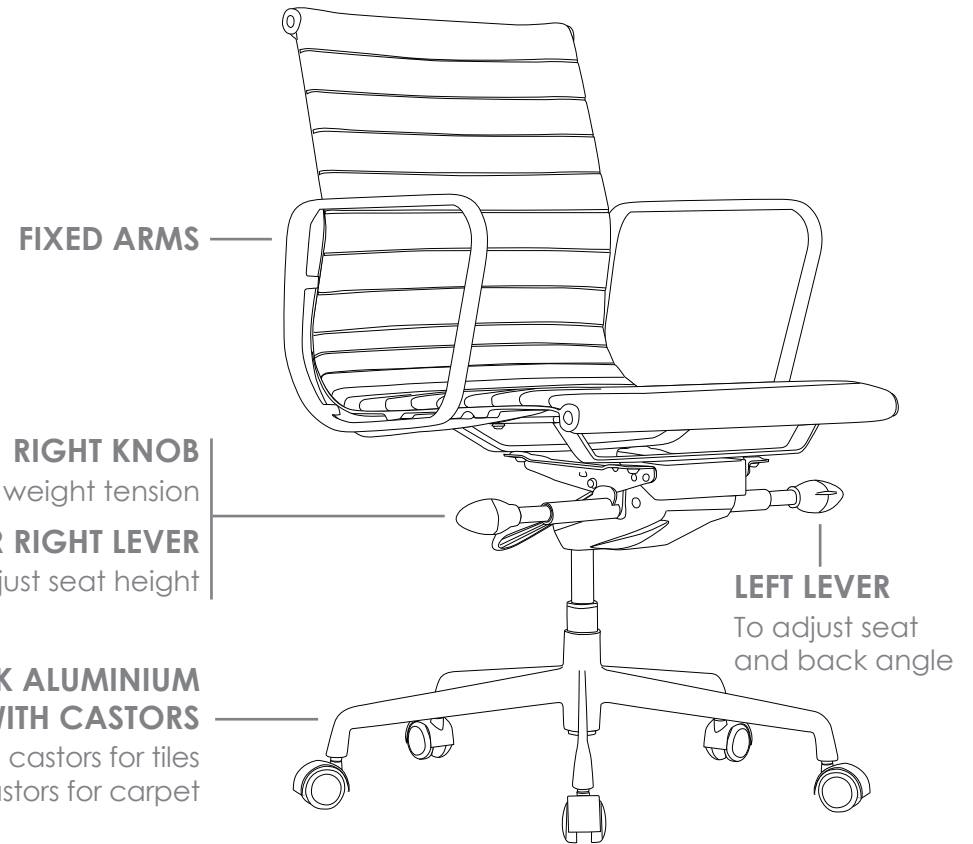
- » Adjustable seat height
- » Adjustable seat and back angle
- » Adjustable weight tension
- » Fixed arms
- » Knee tilt mechanism with 3 locking positions
- » 660mm heavy duty black aluminium base
- » Black powder coated frame
- » Available in black mesh, terracotta PU, tan PU and black PU
- » Minor assembly required
- » Suitable for indoor use only
- » 5 year warranty
- » Weight limit is 130kg

### COLOUR



### INDOOR USE ONLY

X Do not use as a step ladder



# VOLT BOARDROOM SEATING



VOLT-ME



VOLT-TE



VOLT-TA



VOLT-BL

# R4 MULTI SHIFT SEATING

## SIREN



### FEATURES

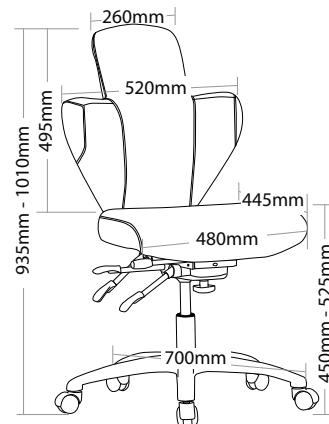
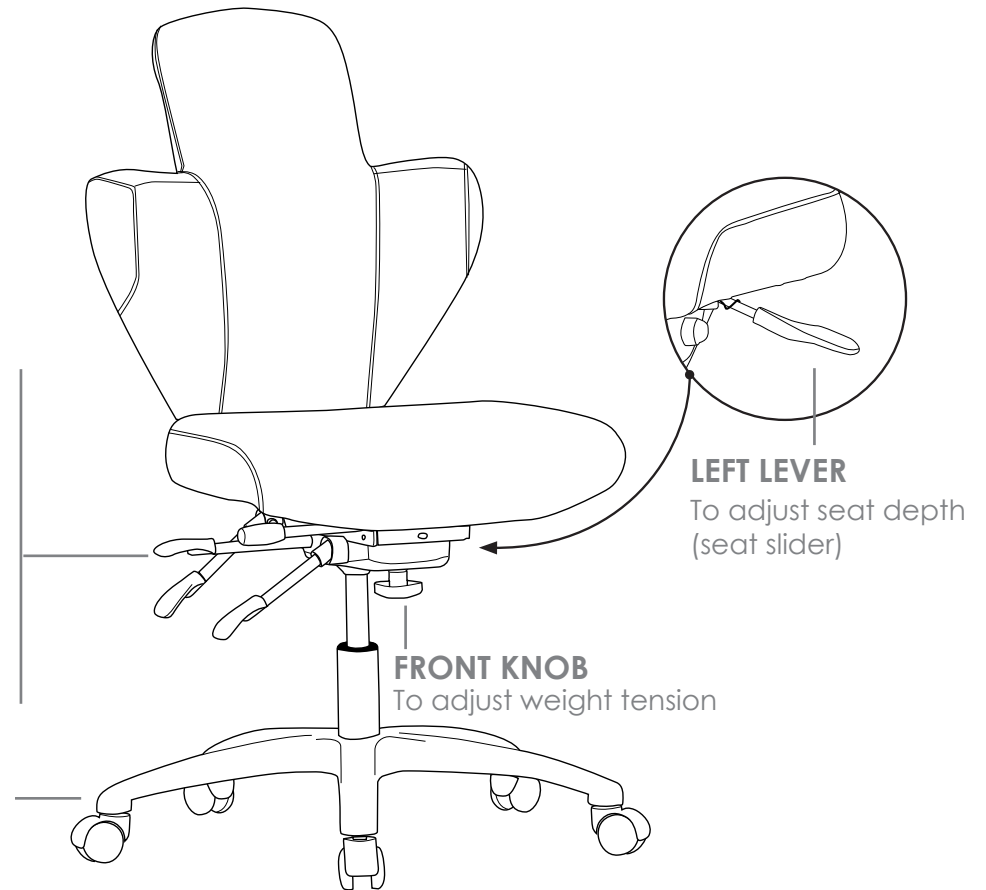
- » Adjustable seat height
- » Adjustable seat and back angle
- » Adjustable seat depth (seat slider)
- » Adjustable weight tension
- » 700mm aluminium base
- » Available in black PU only
- » Minor assembly required
- » Suitable for indoor use only
- » 5 year warranty
- » Weight limit is 140kg

### INDOOR USE ONLY

✘ Do not use as a step ladder

- 4TH RIGHT LEVER**  
To adjust back angle
- 3RD RIGHT LEVER**  
To adjust seat height
- 2ND RIGHT LEVER**  
To adjust seat angle (backwards)
- 1ST RIGHT KNOB**  
To adjust seat angle (forwards)

**700MM ALUMINIUM 5 STAR BASE WITH CASTORS**  
Use soft tyred castors for tiles  
Use hard tyred castors for carpet



SIREN

# **SIREN** MULTI SHIFT SEATING



SIREN



BACK VIEW



SIDE VIEW

# R4 MULTI SHIFT SEATING

## LOGAN

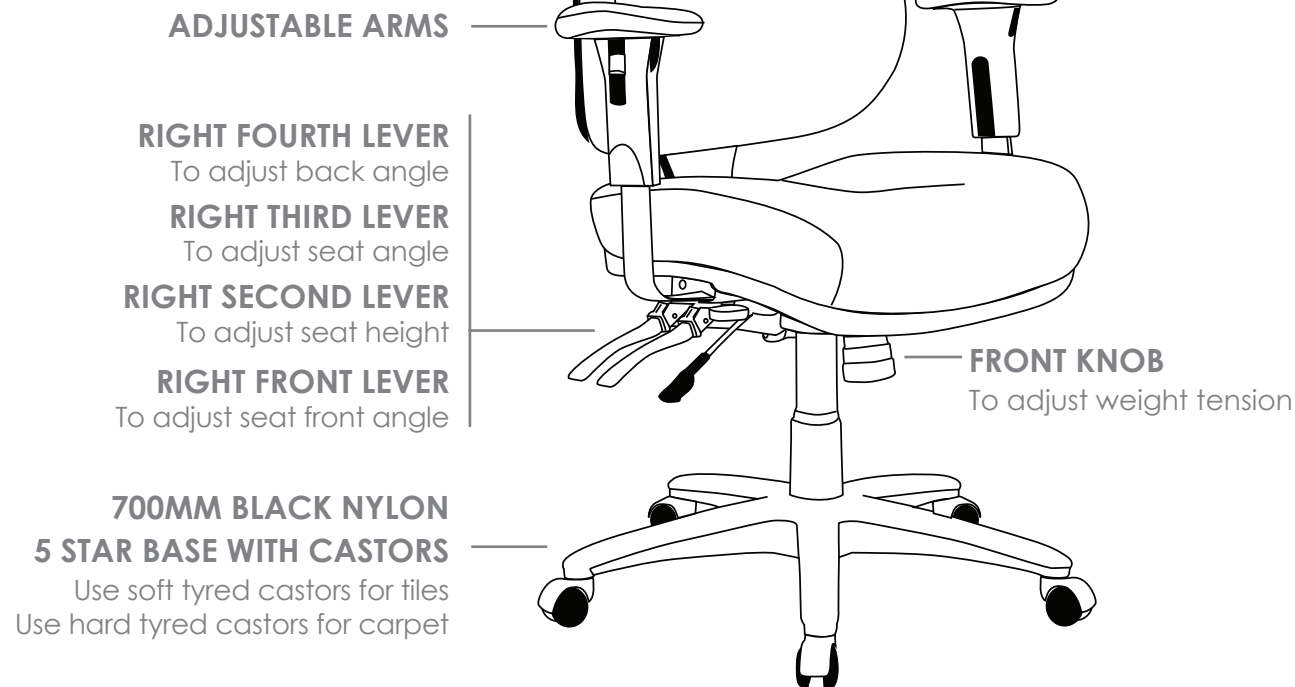


### FEATURES

- » Adjustable seat height
- » Adjustable back height (ratchet)
- » Adjustable seat and back angle
- » Adjustable weight tension
- » Adjustable arms
- » Available in high and low back
- » Moulded seat and back foam
- » 4 lever ergonomic mechanism
- » 700mm black nylon base
- » Available in black only
- » Minor assembly required
- » Suitable for indoor use only
- » 10 year warranty
- » Weight limit is 140kg

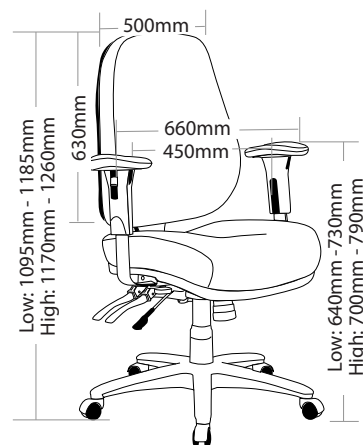
### INDOOR USE ONLY

✘ Do not use as a step ladder

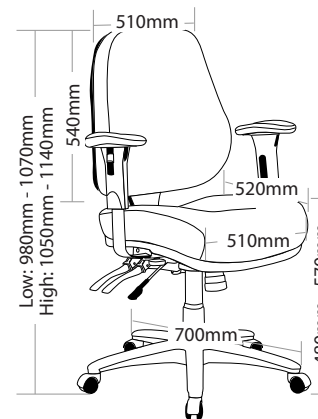


To adjust back height hold back with two hands while seated and raise to desired height

To lower the back height raise back all the way to the top and release slowly



LOGAN-H



LOGAN-L

# LOGAN MULTI SHIFT SEATING



LOGAN-H



LOGAN-L



BACK VIEW

# R4 MULTI SHIFT SEATING

## OYSTER



### FEATURES

- » Adjustable seat height
- » Adjustable back height (ratchet) (available in low back only)
- » Adjustable seat and back angle
- » Adjustable seat depth (seat slider)
- » Adjustable arms
- » Available in high, medium and low back
- » Moulded seat foam
- » Mesh back
- » 4 lever ergonomic mechanism
- » 700mm aluminium base
- » Available in black only
- » Minor assembly required
- » Suitable for indoor use only
- » 10 year warranty
- » Weight limit is 140kg

### INDOOR USE ONLY

✘ Do not use as a step ladder

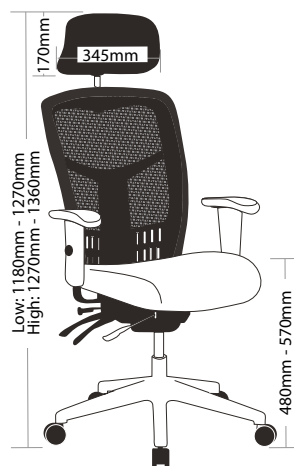
- ADJUSTABLE ARMS**
- RIGHT BACK KNOB**  
To adjust seat depth (seat slider)
- RIGHT BACK LEVER**  
To adjust back angle
- RIGHT MIDDLE LEVER**  
To adjust seat angle
- RIGHT FRONT LEVER**  
To adjust seat height

### 700MM ALUMINIUM 5 STAR BASE WITH CASTORS

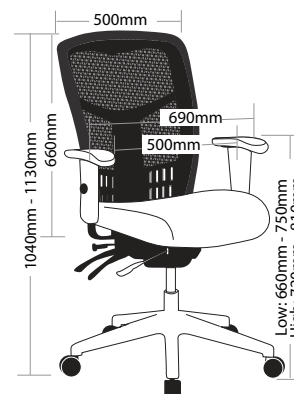
Use soft tyred castors for tiles  
Use hard tyred castors for carpet



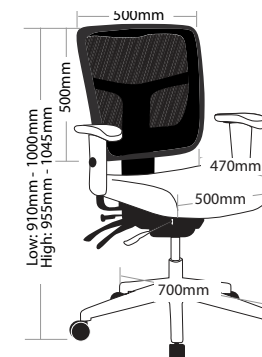
To adjust back height hold back with two hands while seated and raise to desired height  
To lower the back height raise back all the way to the top and release slowly (LOW BACK ONLY)



OYEX1-H



OYEX1-M



OYEX1-L



# OYSTER MULTI SHIFT SEATING



OYEX1-H



OYEX1-M



OYEX1-L

*\* Please note that the Headrest should not be used to manoeuvre the chair.*

# R4 MULTI SHIFT SEATING

## ROVER



### FEATURES

- » Adjustable seat height
- » Adjustable back height (ratchet)
- » Adjustable seat and back angle
- » Adjustable weight tension
- » Adjustable arms
- » Available in high and low back
- » Moulded seat and back foam
- » 4 lever ergonomic mechanism
- » 700mm black nylon base
- » Available in black leather only
- » Minor assembly required
- » Suitable for indoor use only
- » 10 year warranty
- » Weight limit is 140kg

### INDOOR USE ONLY

X Do not use as a step ladder

#### ADJUSTABLE ARMS

#### RIGHT FOURTH LEVER

To adjust back angle

#### RIGHT THIRD LEVER

To adjust seat angle

#### RIGHT SECOND LEVER

To adjust seat height

#### RIGHT FRONT LEVER

To adjust seat front angle

#### 700MM BLACK NYLON 5 STAR BASE WITH CASTORS

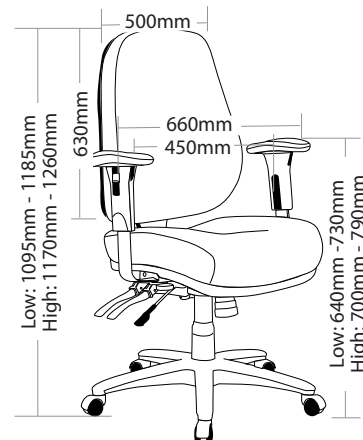
Use soft tyred castors for tiles  
Use hard tyred castors for carpet

To adjust back height hold back with two hands while seated and raise to desired height

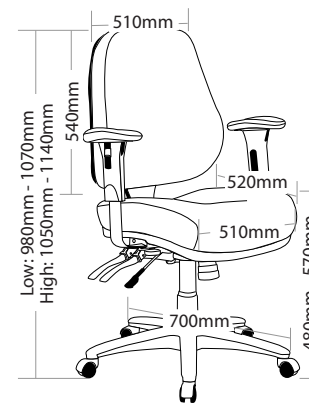
To lower the back height raise back all the way to the top and release slowly

#### FRONT KNOB

To adjust weight tension



ROVER-1HA



ROVER-1LA

# ROVER MULTI SHIFT SEATING



ROVER-1HA



ROVER-1LA



BACK VIEW

# R4 MULTI SHIFT SEATING

## RANGER



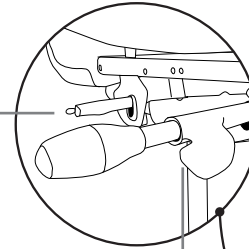
### FEATURES

- » Adjustable seat height
- » Adjustable seat and back angle
- » Adjustable seat depth (seat slider)
- » Adjustable weight tension
- » Adjustable headrest
- » Adjustable arms
- » Moulded seat and back foam
- » Saddle seat
- » Double steel strengthened for both seat and back
- » Synchron mechanism with 3 locking positions
- » 720mm aluminium base
- » Available in black and grey only
- » AFRDI tested to level 6
- » AFRDI tested to multi shift use 160kg
- » Minor assembly required
- » Suitable for indoor use only
- » 7 year warranty
- » Weight limit is 160kg

### INDOOR USE ONLY

✗ Do not use as a step ladder

**INNER BACK LEVER**  
To adjust seat angle  
(Forwards)



**INNER RIGHT LEVER**  
To adjust seat height

**RIGHT KNOB**  
To adjust weight tension

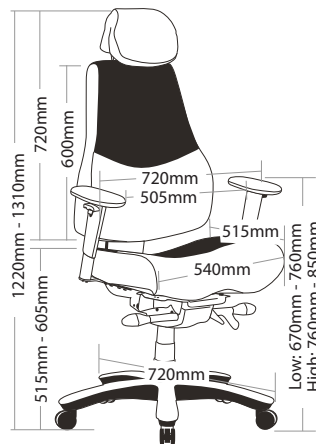
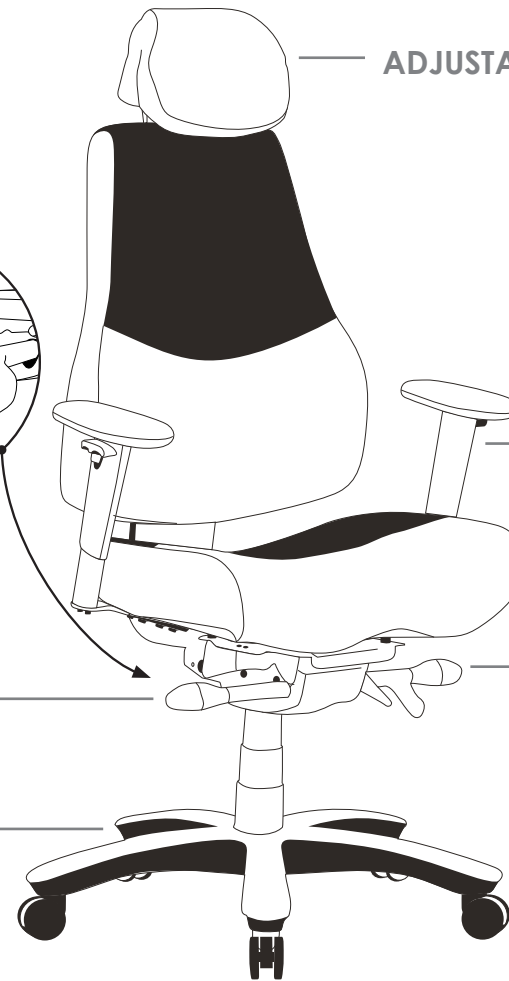
**720MM ALUMINIUM  
5 STAR BASE WITH CASTORS**  
Use soft tyred castors for tiles  
Use hard tyred castors for carpet

**ADJUSTABLE HEADREST**

**ADJUSTABLE ARMS**

**LEFT KNOB**  
To adjust seat and  
back angle

**INNER LEFT LEVER**  
To adjust seat depth  
(seat slider)



RANGER

# RANGER MULTI SHIFT SEATING



RANGER



BACK VIEW



SIDE VIEW

*\* Please note that the Headrest should not be used to manoeuvre the chair.*

# R4 MULTI SHIFT SEATING

## IMPACT



### FEATURES

- » Adjustable seat height
- » Adjustable seat and back angle
- » Adjustable seat depth (seat slider)
- » Adjustable weight tension
- » Adjustable lumbar support
- » Adjustable headrest
- » Adjustable arms
- » Moulded seat and back foam
- » Saddle seat
- » Double steel strengthened for both seat and back
- » Synchron mechanism with 3 locking positions
- » 720mm aluminium base
- » Brake castors
- » AFRDI tested to level 6
- » Multi shift use 200kg
- » Available in black only
- » Minor assembly required
- » Suitable for indoor use only
- » 7 year warranty
- » Weight limit is 200kg

INDOOR USE ONLY

✗ Do not use as a step ladder

**INNER BACK LEVER**  
To adjust seat angle  
(Forwards)

**INNER RIGHT LEVER**  
To adjust seat height

**BACK KNOB**  
To adjust lumbar

**RIGHT KNOB**  
To adjust weight tension

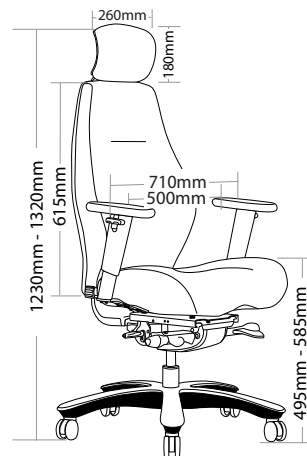
**720MM ALUMINIUM  
5 STAR BASE WITH BRAKE CASTORS**  
Use soft tyred castors for tiles  
Use hard tyred castors for carpet

— ADJUSTABLE HEADREST

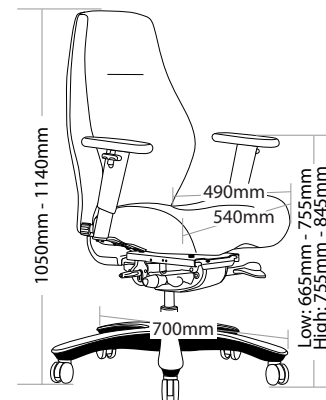
— ADJUSTABLE ARMS

**LEFT KNOB**  
To adjust seat and  
back angle

**INNER LEFT LEVER**  
To adjust seat depth  
(seat slider)



IMPACT-H



IMPACT-L

# IMPACT MULTI SHIFT SEATING



IMPACT-H

ADJUSTABLE LUMBAR



IMPACT-L



BACK VIEW

*\* Please note that the Headrest should not be used to manoeuvre the chair.*

# R5 EXECUTIVE MESH SEATING

## GIBBS

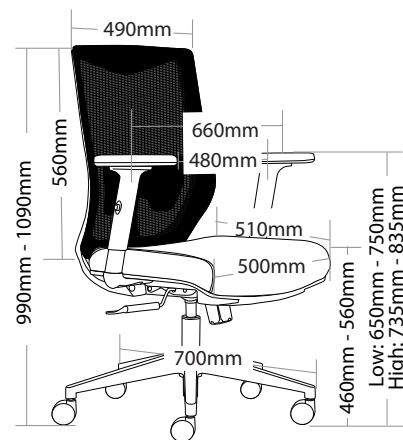
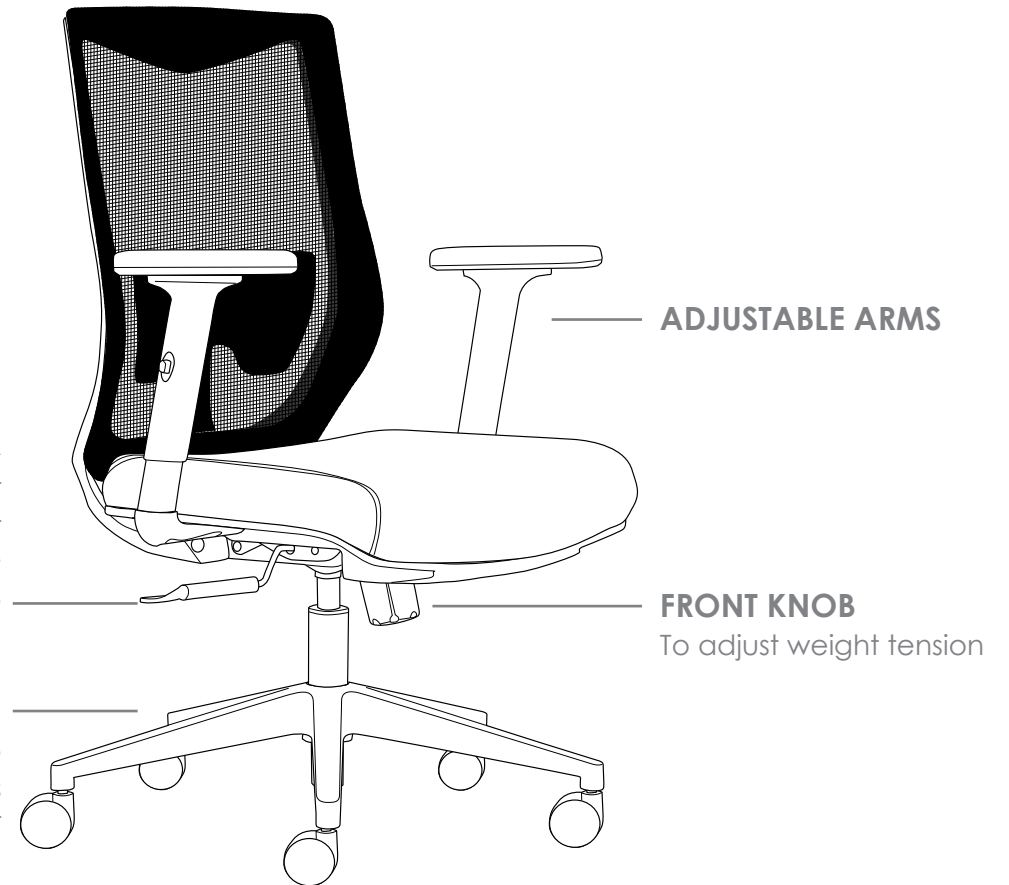


### FEATURES

- » Adjustable seat height
- » Adjustable seat and back angle
- » Adjustable weight tension
- » Adjustable arms
- » Lumbar support
- » Butterfly mechanism
- » 700mm black nylon 5 star base
- » Minor assembly required
- » Suitable for indoor use only
- » 4 year warranty
- » Weight limit is 120kg

### INDOOR USE ONLY

**X** Do not use as a step ladder



GIBBS



# **GIBBS** EXECUTIVE MESH SEATING



GIBBS



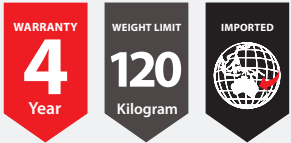
BACK VIEW



FRONT VIEW

# R5 EXECUTIVE MESH SEATING

## BOLT

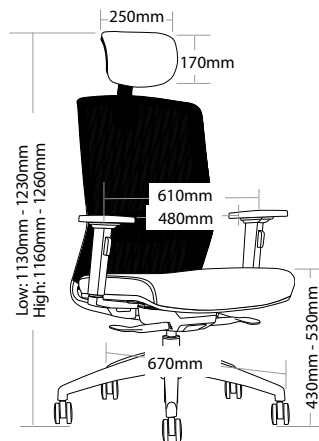
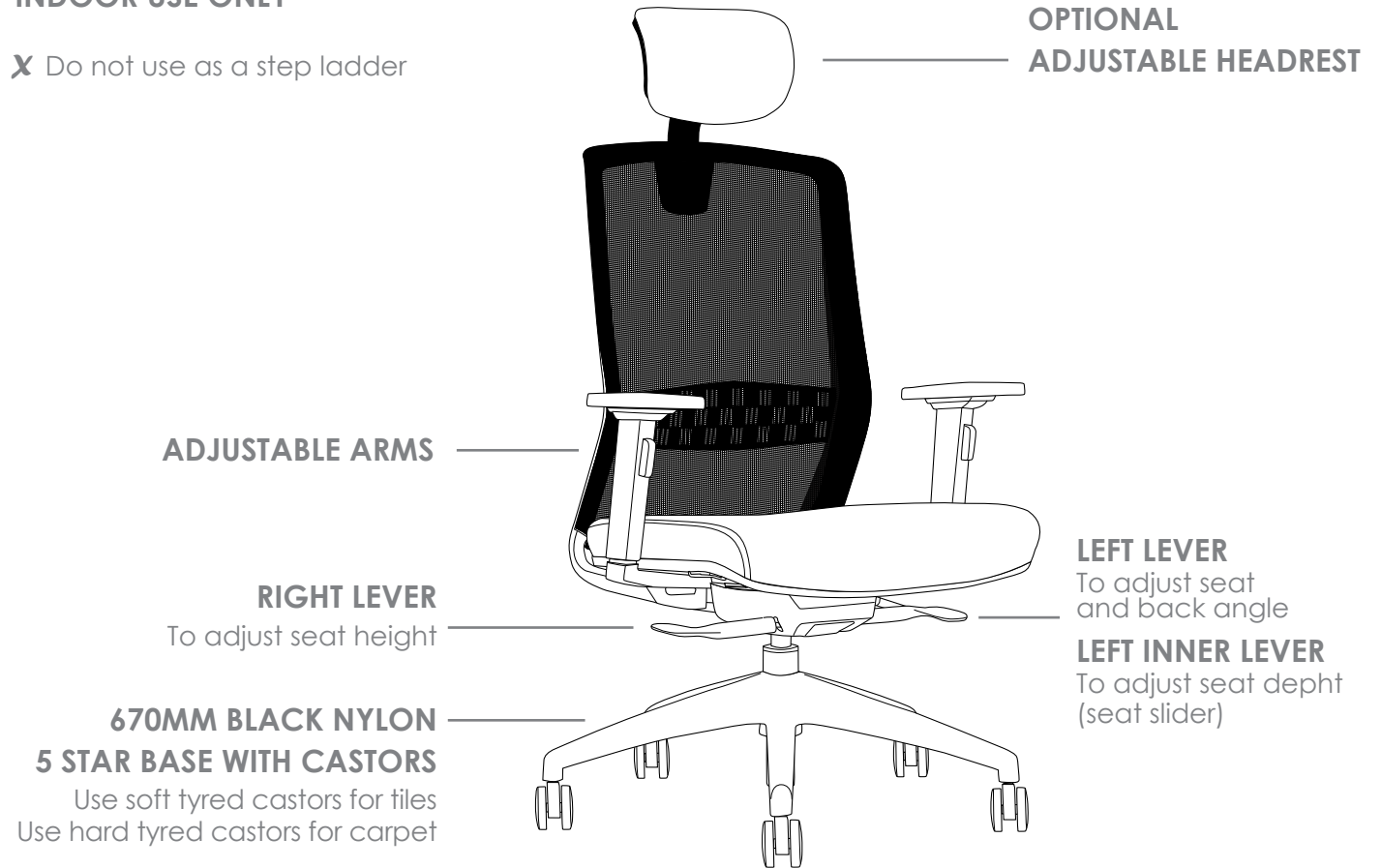


### FEATURES

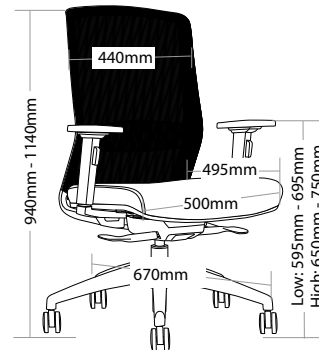
- » Adjustable seat height
- » Adjustable seat and back angle
- » Adjustable seat depth (seat slider)
- » Adjustable lumbar support
- » Adjustable arms
- » Auto weight tensioning
- » Optional adjustable headrest
- » Synchron mechanism with 3 locking positions
- » 670mm black nylon 5 star base
- » Available in black only
- » Suitable for indoor use only
- » 4 year warranty
- » Weight limit is 120kg

### INDOOR USE ONLY

**X** Do not use as a step ladder



BOLT-H



BOLT-L

# **BOLT** EXECUTIVE MESH SEATING



BOLT-H



BOLT-L



BACK VIEW

*\* Please note that the Headrest should not be used to manoeuvre the chair.*

# R5 EXECUTIVE MESH SEATING

## KUBE



### FEATURES

- » Adjustable seat height
- » Adjustable seat and back angle
- » Adjustable seat depth (seat slider)
- » Adjustable weight tension
- » Adjustable lumbar
- » Adjustable arms
- » Optional adjustable headrest
- » Synchron mechanism with 3 locking positions
- » 670mm black nylon 5 star base
- » Available in black only
- » BIFMA tested
- » Minor assembly required
- » Suitable for indoor use only
- » 5 year warranty
- » Weight limit is 130kg

INDOOR USE ONLY

X Do not use as a step ladder

ADJUSTABLE LUMBAR

RIGHT KNOB

To adjust weight tension

INNER RIGHT LEVER

To adjust seat height

670MM BLACK NYLON 5 STAR BASE WITH CASTORS

Use soft tyred castors for tiles  
Use hard tyred castors for carpet

OPTIONAL ADJUSTABLE HEADREST

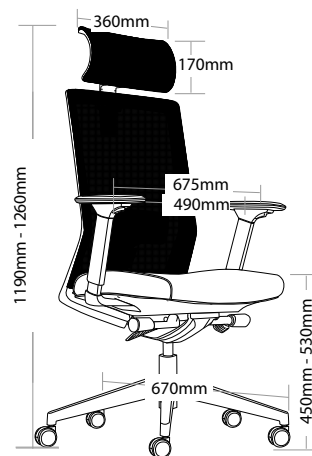
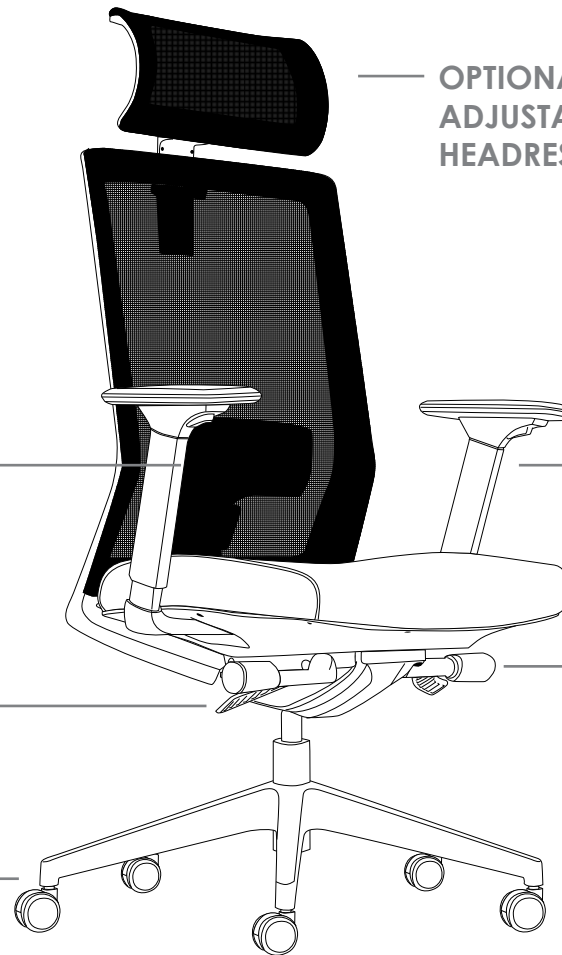
ADJUSTABLE ARMS

LEFT KNOB

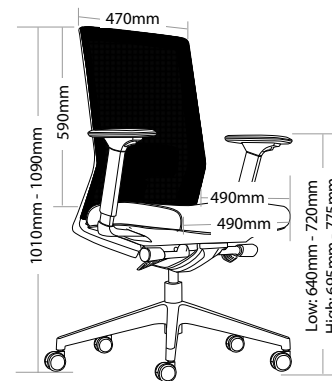
To adjust seat and back angle

INNER LEFT LEVER

To adjust seat depth (seat slider)



KUBE-H



KUBE-L

# KUBE EXECUTIVE MESH SEATING



KUBE-H



KUBE-L



BACK VIEW

*\* Please note that the Headrest should not be used to manoeuvre the chair.*

# R5 EXECUTIVE MESH SEATING

## BAXTER

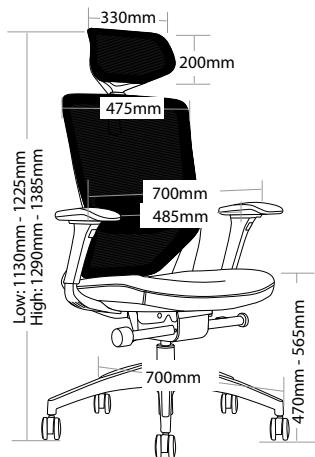
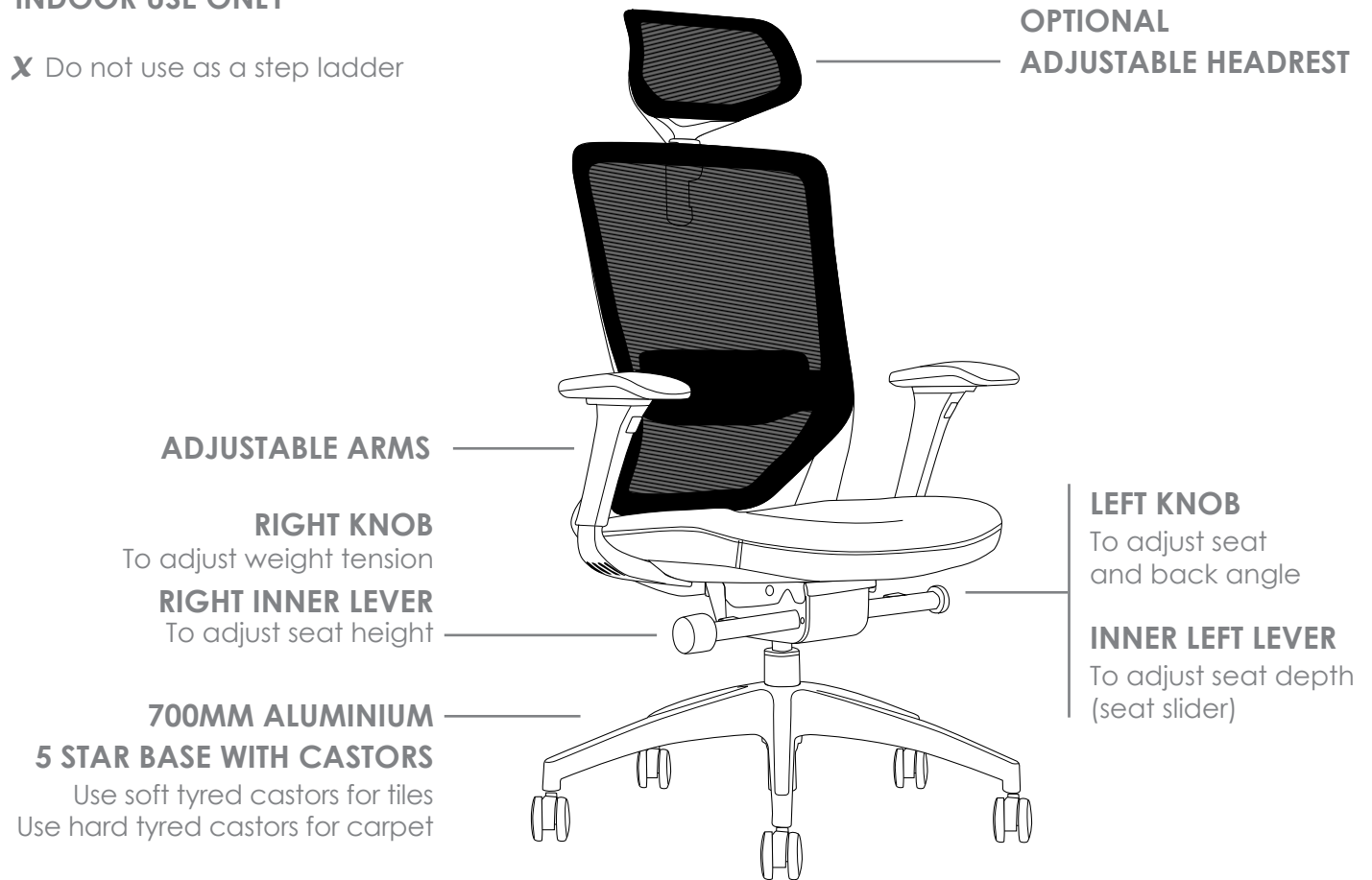


### FEATURES

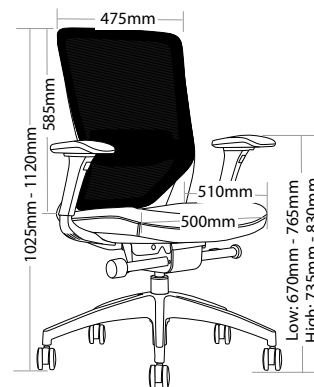
- » Adjustable seat height
- » Adjustable seat and back angle
- » Adjustable seat depth (seat slider)
- » Adjustable weight tension
- » Adjustable lumbar
- » Adjustable arms
- » Optional adjustable headrest
- » Synchron mechanism with 3 locking positions
- » 700mm aluminium base
- » Available in black only
- » BIFMA tested
- » Minor assembly required
- » Suitable for indoor use only
- » 5 year warranty
- » Weight limit is 130kg

### INDOOR USE ONLY

X Do not use as a step ladder



BAXTER-H



BAXTER-L

# **BAXTER** EXECUTIVE MESH SEATING



BAXTER-H



BAXTER-L



BACK VIEW

*\* Please note that the Headrest should not be used to manoeuvre the chair.*

# R5 EXECUTIVE MESH SEATING

## EVITA



### FEATURES

#### EVITA-TA

- » Adjustable seat height
- » Adjustable seat and back angle
- » Adjustable lumbar
- » Adjustable arms
- » Synchron mechanism with 3 locking positions
- » 680mm black nylon base
- » Moulded seat foam
- » Korean mesh back
- » Available in black only
- » Minor assembly required
- » Suitable for indoor use only
- » 5 year warranty
- » Weight limit is 120kg



#### EVITA-H/ EVITA-L

- » Adjustable seat height
- » Adjustable seat and back angle
- » Adjustable seat depth (seat slider)
- » Adjustable weight tension
- » Adjustable lumbar
- » Adjustable arms
- » Optional adjustable headrest
- » Moulded seat foam
- » Korean mesh back
- » Synchron mechanism with 3 locking positions
- » 700mm aluminium base
- » Available in black only
- » BIFMA tested
- » Minor assembly required
- » Suitable for indoor use only
- » 5 year warranty
- » Weight limit is 120kg



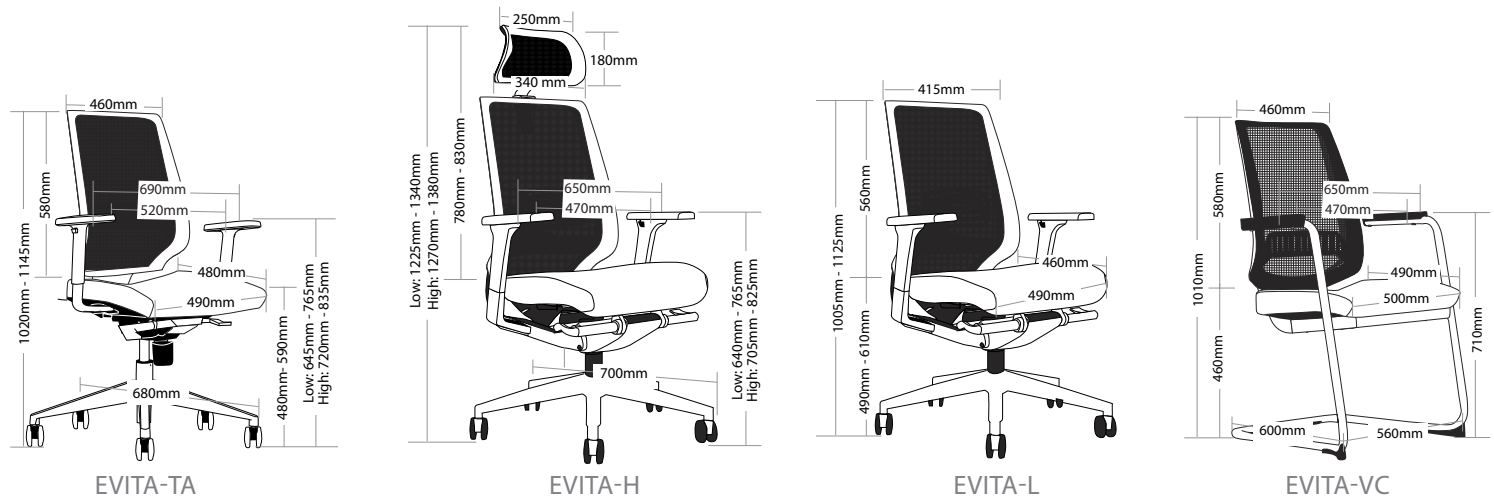
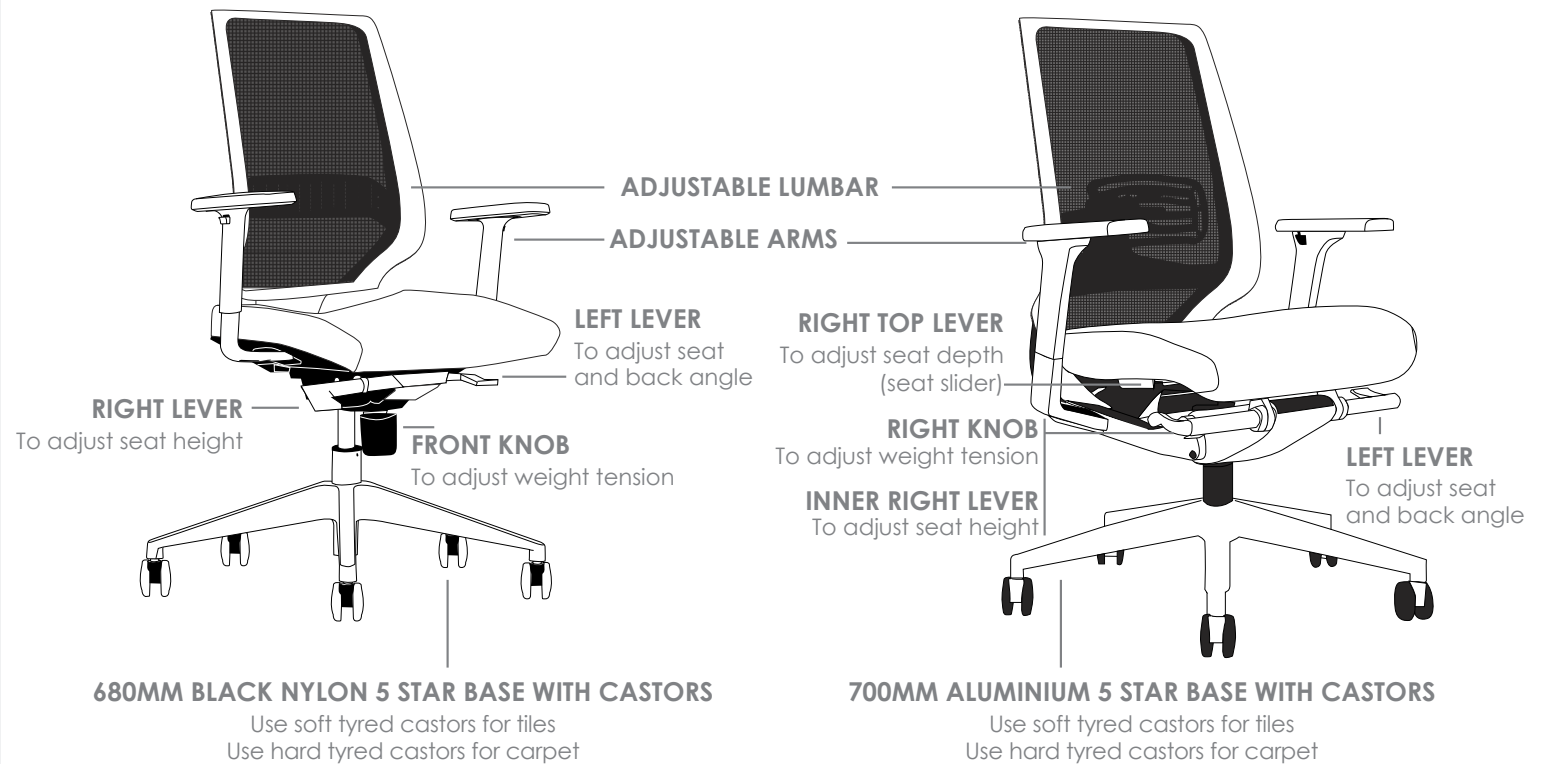
#### EVITA-VC

- » Chrome frame
- » Moulded seat foam
- » Korean mesh back
- » Available in black only
- » Minor assembly required
- » Suitable for indoor use only
- » 4 year warranty
- » Weight limit is 120kg



## INDOOR USE ONLY

✗ Do not use as a step ladder





# EVITA EXECUTIVE MESH SEATING



EVITA-TA



EVITA-H



EVITA-L



EVITA-VC

*\* Please note that the Headrest should not be used to manoeuvre the chair.*

# R5 EXECUTIVE MESH SEATING

## ZODIAC



### FEATURES

- » Adjustable seat height cable controlled
- » Adjustable back height (ratchet)
- » Adjustable seat and back angle cable controlled
- » Adjustable seat depth (seat slider) cable controlled
- » Adjustable weight tension
- » Optional adjustable headrest
- » Adjustable arms
- » Synchron mechanism with 3 locking positions
- » 700mm aluminium base
- » Available in black only
- » BIFMA tested
- » Minor assembly required
- » Suitable for indoor use only
- » 5 year warranty
- » Weight limit is 120kg

### INDOOR USE ONLY

**X** Do not use as a step ladder

To adjust back height hold back with two hands while seated and raise to desired height

To lower the back height raise back all the way to the top and release slowly

ADJUSTABLE ARMS

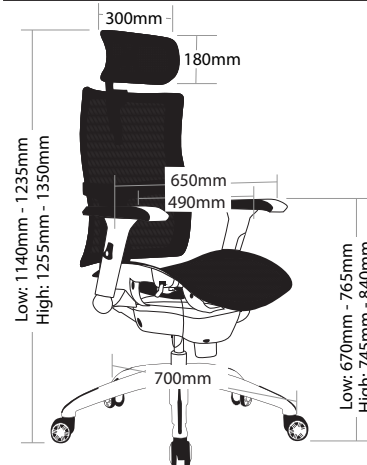
RIGHT LEVER

To adjust seat height

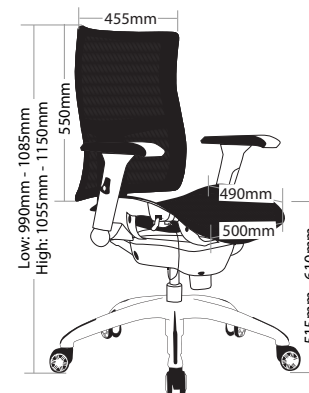
**700MM ALUMINIUM 5 STAR BASE WITH CASTORS**

Use soft tyred castors for tiles  
Use hard tyred castors for carpet

OPTIONAL ADJUSTABLE HEADREST



ZODIAC-H



ZODIAC-L

# ZODIAC EXECUTIVE MESH SEATING



ZODIAC-H



ZODIAC-L



BACK VIEW

*\* Please note that the Headrest should not be used to manoeuvre the chair.*

# R5 EXECUTIVE MESH SEATING

## RENATA

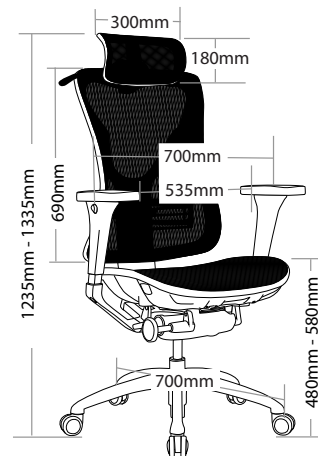
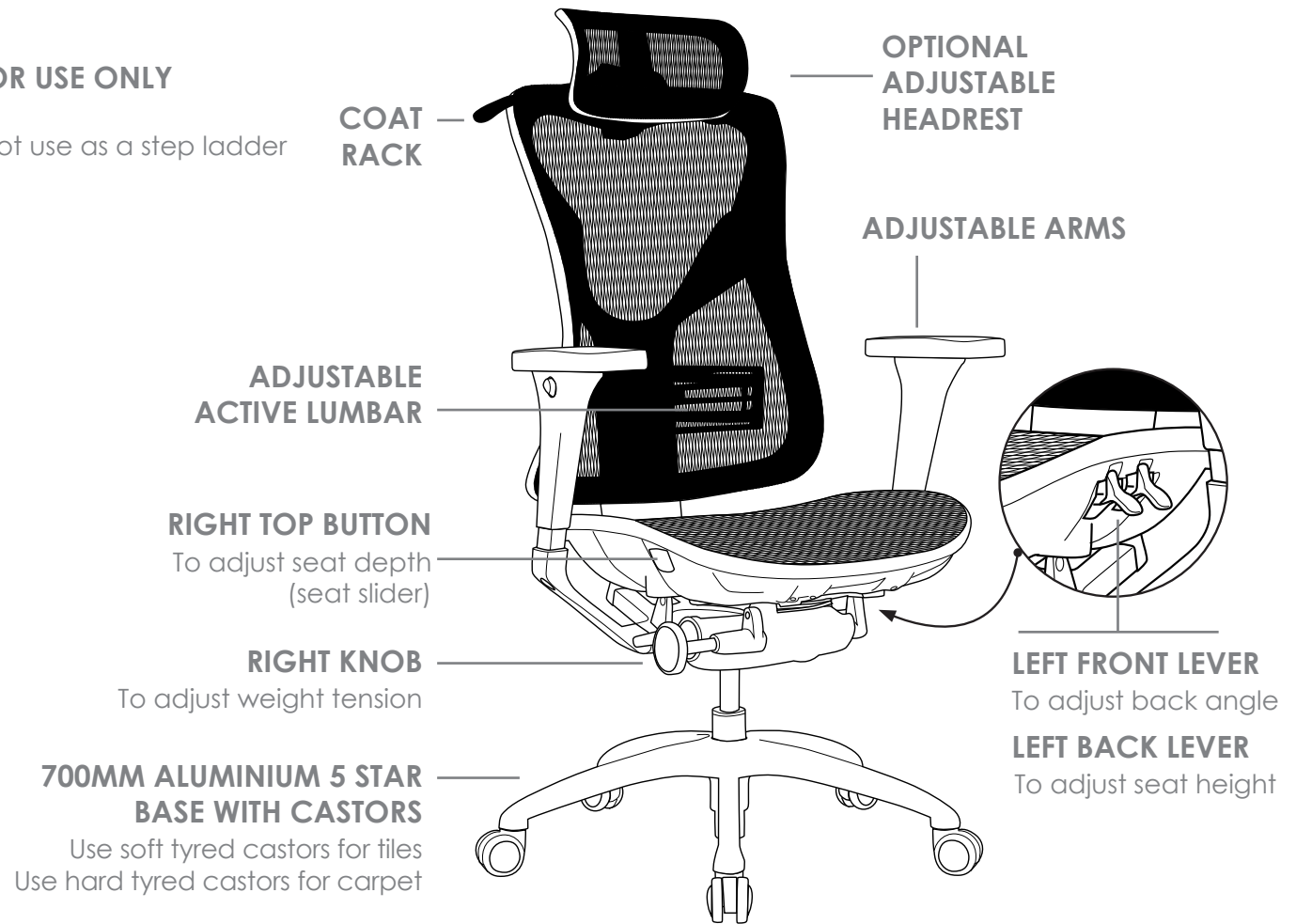


### FEATURES

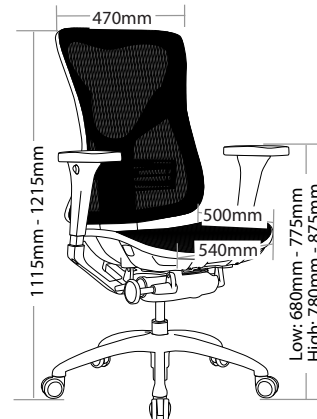
- » Adjustable seat height cable controlled
- » Adjustable seat and back angle cable controlled
- » Adjustable seat depth (seat slider) cable controlled
- » Adjustable weight tension
- » Adjustable active lumbar
- » Adjustable arms
- » Optional adjustable headrest
- » Coat rack
- » Mesh seat and back only
- » Synchron mechanism with 3 locking positions
- » 700mm aluminium base
- » Available in black only
- » BIFMA tested
- » Minor assembly required
- » Suitable for indoor use only
- » 5 year warranty
- » Weight limit is 120kg

### INDOOR USE ONLY

X Do not use as a step ladder



RENATA-H



RENATA-L

# RENATA EXECUTIVE MESH SEATING



RENATA-H



RENATA-L



BACK VIEW

*\* Please note that the Headrest should not be used to manoeuvre the chair.*

# R5 EXECUTIVE MESH SEATING

## ERGO-1

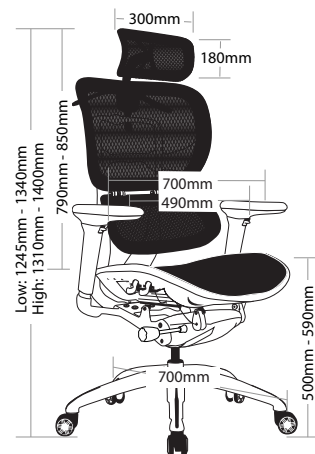
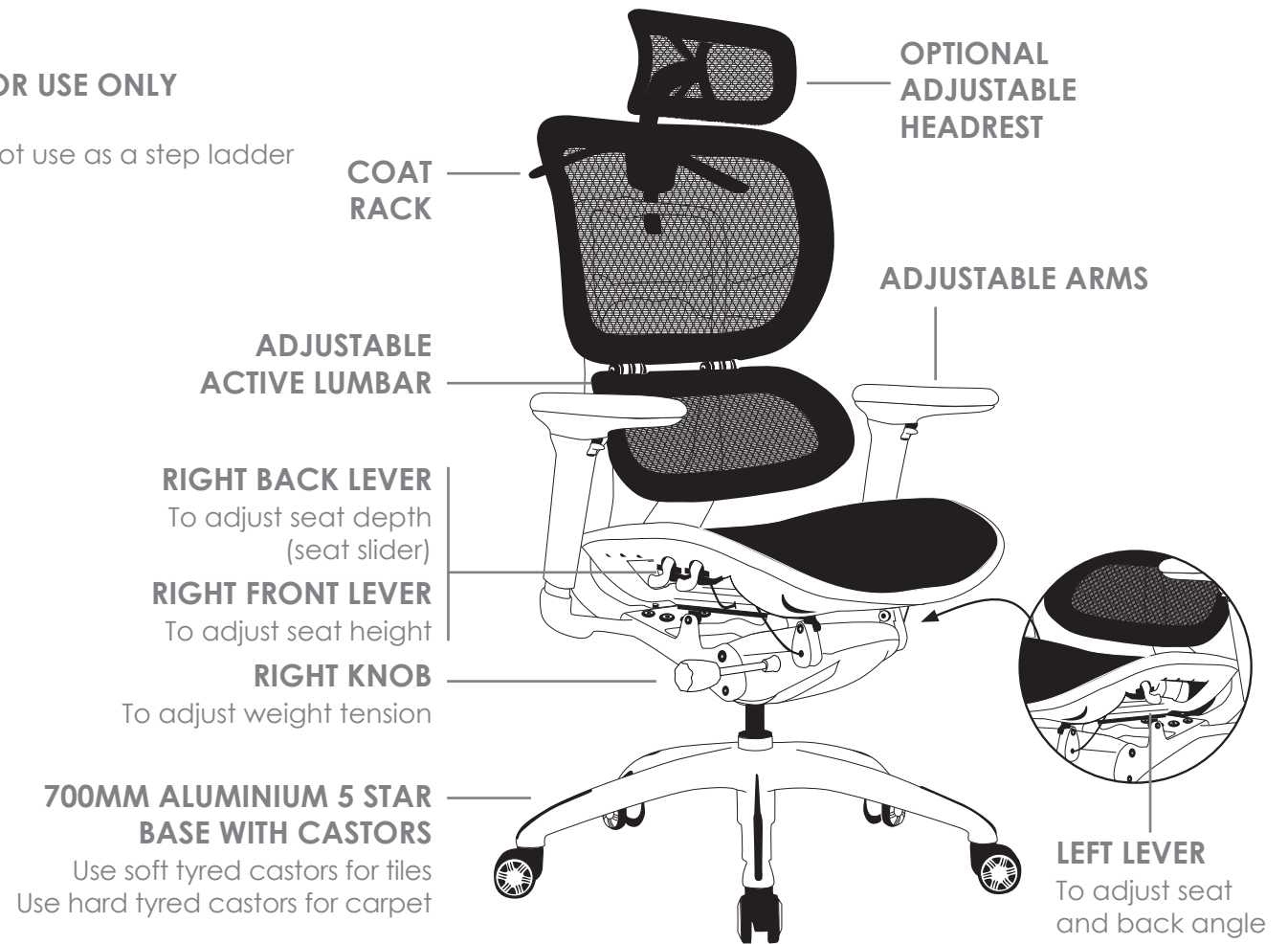


### FEATURES

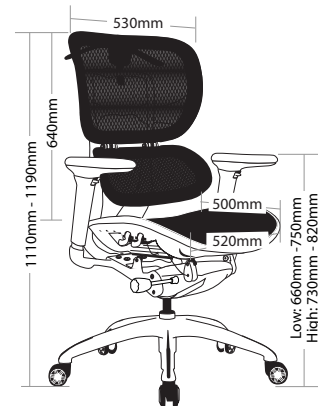
- » Adjustable seat height cable controlled
- » Adjustable seat and back angle cable controlled
- » Adjustable seat depth (seat slider) cable controlled
- » Adjustable weight tension
- » Adjustable active lumbar
- » Adjustable arms
- » Optional adjustable headrest
- » Coat rack
- » Synchron mechanism with 3 locking positions
- » 700mm aluminium base
- » Available in black only
- » BIFMA tested
- » Minor assembly required
- » Suitable for indoor use only
- » 5 year warranty
- » Weight limit is 120kg

### INDOOR USE ONLY

X Do not use as a step ladder



ERGO-1H



ERGO-1L

# ERGO-1 EXECUTIVE MESH SEATING



ERG0-1H



ERG0-1L

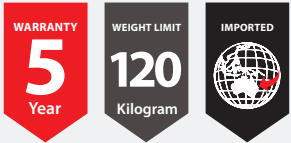


RIGHT VIEW

*\* Please note that the Headrest should not be used to manoeuvre the chair.*

# R6 EXECUTIVE SEATING

## HILTON



### FEATURES

#### HILTON-H/ HILTON-L

- » Adjustable seat height
- » Adjustable seat and back angle
- » Adjustable weight tension
- » Adjustable arms
- » Available in high and low back
- » Synchron mechanism with 3 locking positions
- » 700mm large black nylon base
- » Available in black PU only
- » Minor assembly required
- » Suitable for indoor use only
- » 5 year warranty
- » Weight limit is 120kg

#### HILTON-VC

- » Black metal frame
- » Available in black PU only
- » Minor assembly required
- » Suitable for indoor use only
- » 5 year warranty
- » Weight limit is 120kg

### INDOOR USE ONLY

X Do not use as a step ladder

ADJUSTABLE ARMS

RIGHT LEVER  
To adjust seat height

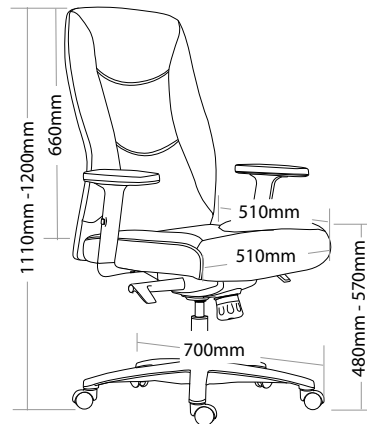
700MM LARGE BLACK NYLON  
5 STAR BASE WITH CASTORS

Use soft tyred castors for tiles  
Use hard tyred castors for carpet

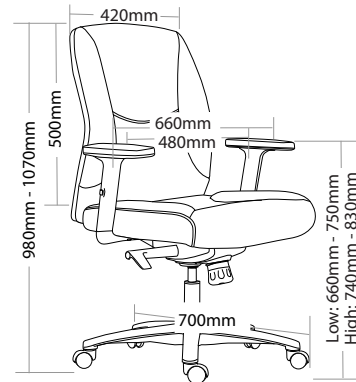


LEFT LEVER  
To adjust seat and back angle

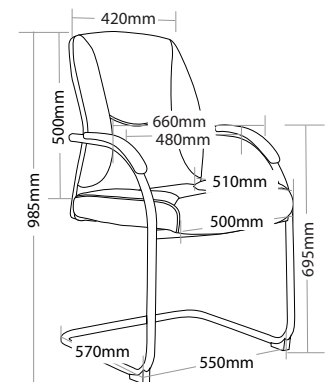
FRONT KNOB  
To adjust weight tension



HILTON-H



HILTON-L



HILTON-VC



# HILTON EXECUTIVE SEATING



HILTON-H



HILTON-L



HILTON-VC

# R6 EXECUTIVE SEATING

## CRUZ



### FEATURES

- » Adjustable seat height
- » Adjustable seat and back angle
- » Adjustable weight tension
- » Fixed chrome arms
- » Available in high and low back
- » Knee tilt mechanism with 3 locking positions
- » 700mm aluminium base
- » Available in black PU only
- » Minor assembly required
- » Suitable for indoor use only
- » 5 year warranty
- » Weight limit is 120kg

### INDOOR USE ONLY

X Do not use as a step ladder

FIXED CHROME ARMS

LEFT LEVER

To adjust seat and back angle

RIGHT LEVER

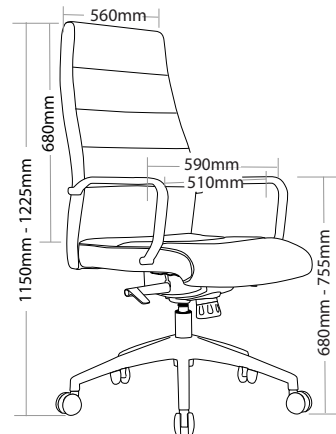
To adjust seat height

FRONT KNOB

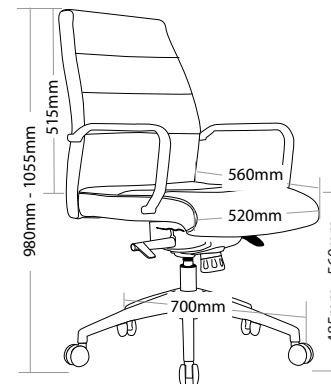
To adjust weight tension

700MM ALUMINIUM 5 STAR BASE WITH CASTORS

Use soft tyred castors for tiles  
Use hard tyred castors for carpet



CRUZ-H



CRUZ-L

# CRUZ EXECUTIVE SEATING



CRUZ-H



CRUZ-L



BACK VIEW

# R6 EXECUTIVE SEATING

## VENUS

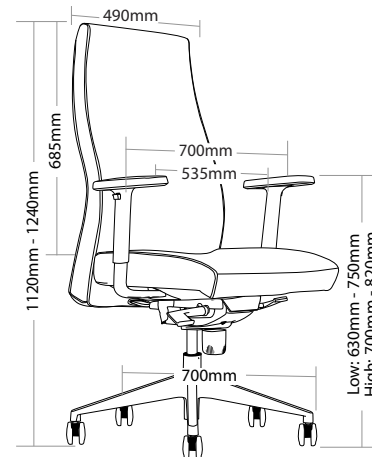
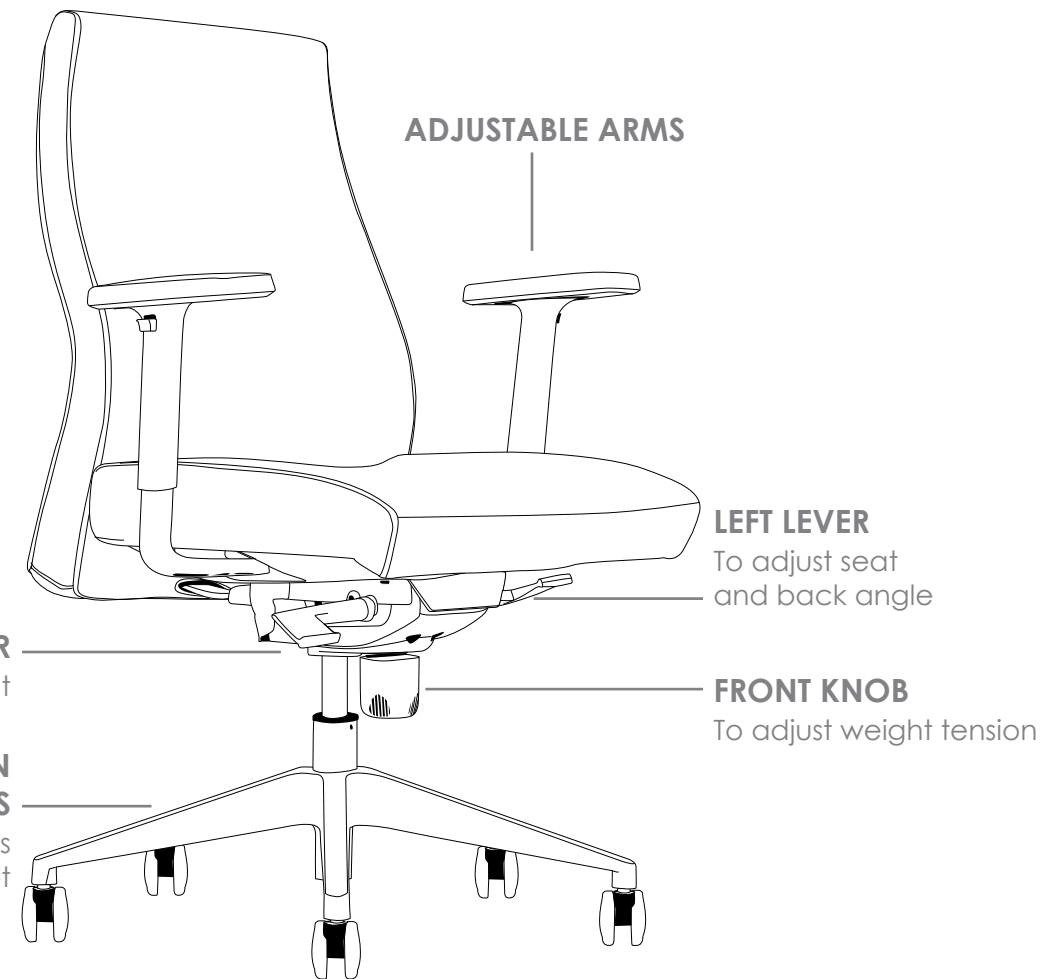


### FEATURES

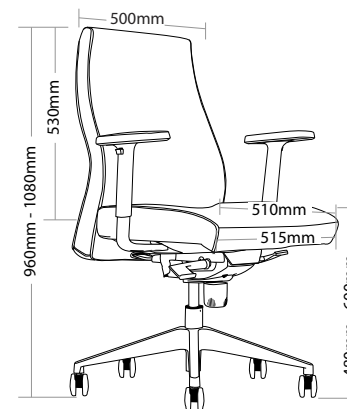
- » Adjustable seat height
- » Adjustable seat and back angle
- » Adjustable weight tension
- » Adjustable arms
- » Available in high and low back
- » Plastic under pan
- » Moulded seat and back foam
- » Synchron mechanism with 3 locking positions
- » 700mm heavy duty black nylon base
- » Available in black PU only
- » Minor assembly required
- » Suitable for indoor use only
- » 5 year warranty
- » Weight limit is 130kg

### INDOOR USE ONLY

X Do not use as a step ladder



VENUS-H



VENUS-L

# VENUS EXECUTIVE SEATING



VENUS-H



VENUS-L



BACKVIEW

# R6 EXECUTIVE SEATING

## OHIO



### FEATURES

- » Adjustable seat height
- » Adjustable seat and back angle
- » Adjustable weight tension
- » Adjustable chrome arms
- » Optional headrest
- » Moulded back foam
- » Saddle seat
- » Synchron mechanism with 3 locking positions
- » 700mm aluminium base
- » Available in black PU only
- » Minor assembly required
- » Suitable for indoor use only
- » 5 year warranty
- » Weight limit is 130kg

### INDOOR USE ONLY

X Do not use as a step ladder

ADJUSTABLE CHROME ARMS

RIGHT LEVER

To adjust seat height

700MM ALUMINIUM 5 STAR BASE WITH CASTORS

Use soft tyred castors for tiles  
Use hard tyred castors for carpet

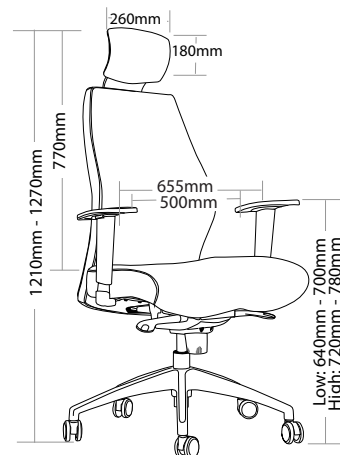
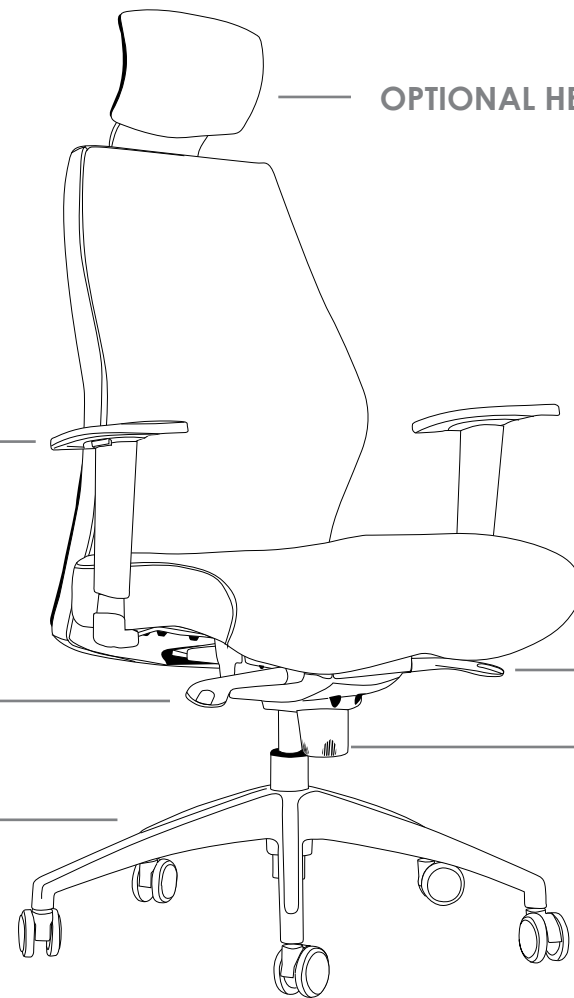
OPTIONAL HEADREST

LEFT LEVER

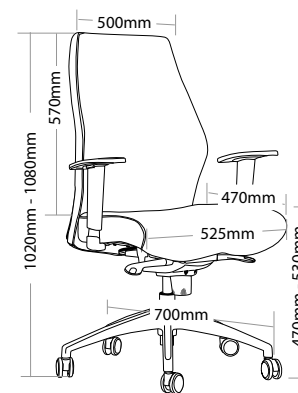
To adjust seat and back angle

FRONT KNOB

To adjust weight tension



OHIO-H



OHIO-L

# OHIO EXECUTIVE SEATING



OHIO-H



OHIO-L



BACKVIEW

*\* Please note that the Headrest should not be used to manoeuvre the chair.*

# R6 EXECUTIVE SEATING

## CAMRY



### FEATURES

#### CAMRY-H/ CAMRY-L

- » Adjustable seat height
- » Adjustable seat and back angle
- » Adjustable weight tension
- » Available in high and low back
- » Fixed heavy duty aluminium arms
- » High density foam
- » Knee tilt mechanism with 3 locking positions
- » 700mm heavy duty aluminium base
- » Available in black PU only
- » Minor assembly required
- » Suitable for indoor use only
- » 5 year warranty
- » Weight limit is 120kg

#### CAMRY-VC

- » Chrome frame
- » High density foam
- » Available in black PU only
- » Minor assembly required
- » Suitable for indoor use only
- » 5 year warranty
- » Weight limit is 120kg

### INDOOR USE ONLY

X Do not use as a step ladder

FIXED HEAVY DUTY ALUMINIUM ARMS

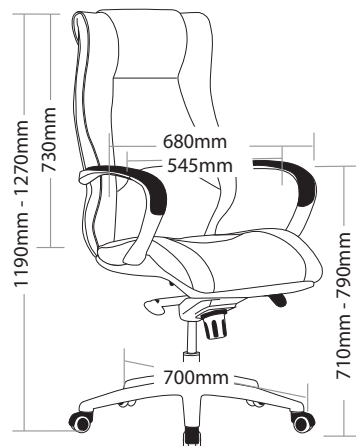
RIGHT LEVER  
To adjust seat height

700MM HEAVY DUTY ALUMINIUM 5 STAR BASE WITH CASTORS  
Use soft tyred castors for tiles  
Use hard tyred castors for carpet

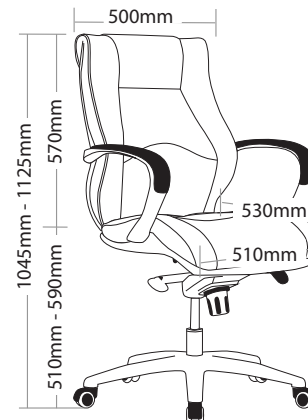


LEFT LEVER  
To adjust seat and back angle

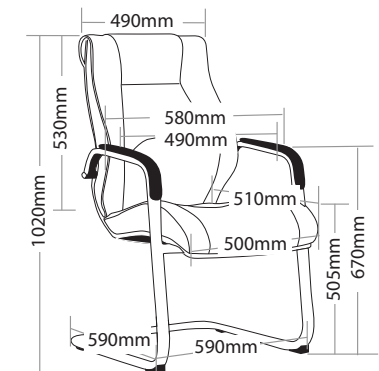
FRONT KNOB  
To adjust weight tension



CAMRY-H



CAMRY-L



CAMRY-VC



# CAMRY EXECUTIVE SEATING



CAMRY-H



CAMRY-L



CAMRY-VC

# R6 EXECUTIVE SEATING

## BOSTON



### FEATURES

#### BOSTON-H/ BOSTON-L

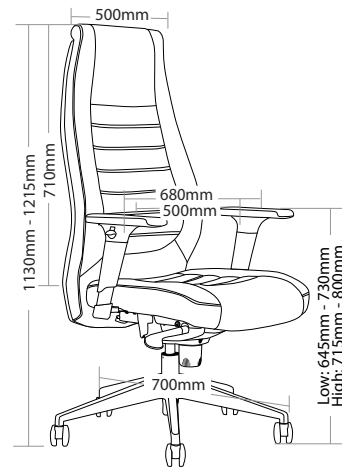
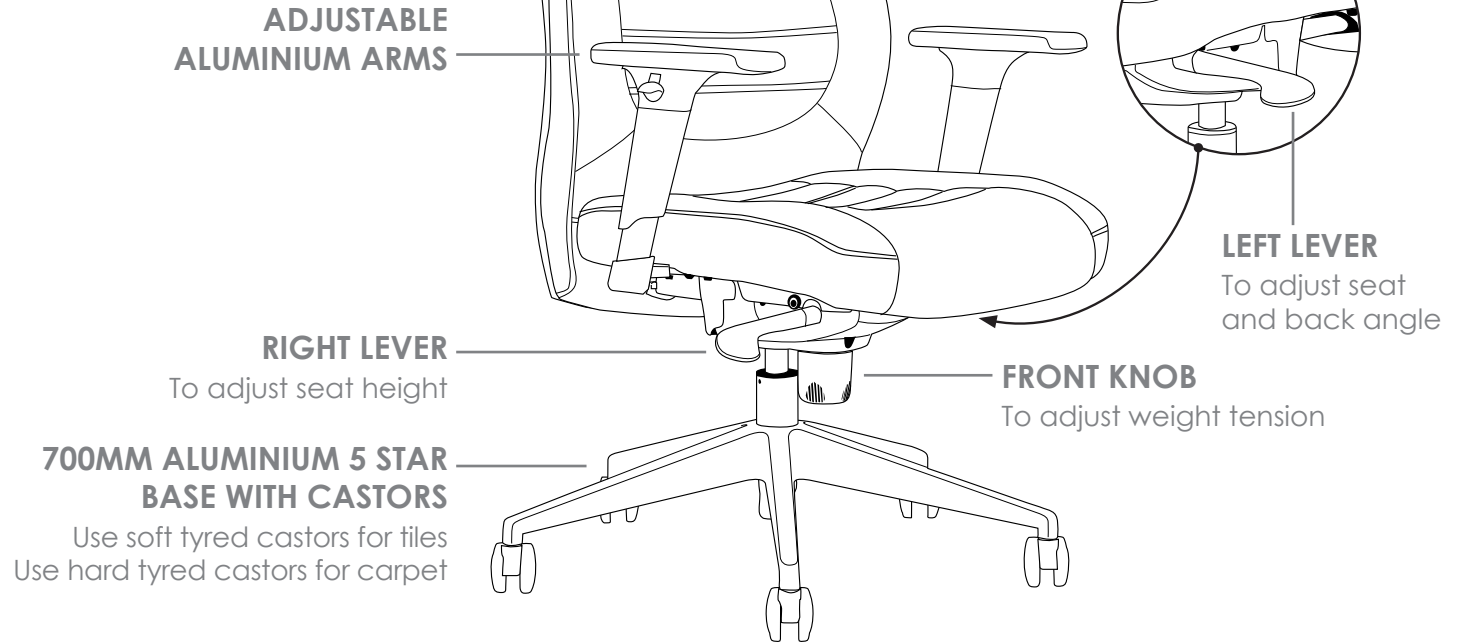
- » Adjustable seat height
- » Adjustable seat and back angle
- » Adjustable weight tension
- » Adjustable aluminium arms
- » Available in high and low back
- » High density foam
- » Synchron mechanism with 3 locking positions
- » 700mm aluminium base
- » Available in black PU only
- » Minor assembly required
- » Suitable for indoor use only
- » 5 year warranty
- » Weight limit is 120kg

#### BOSTON-VC

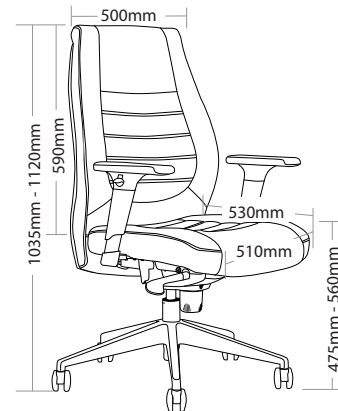
- » Chrome frame
- » High density foam
- » Available in black PU only
- » Minor assembly required
- » Suitable for indoor use only
- » 5 year warranty
- » Weight limit is 120kg

### INDOOR USE ONLY

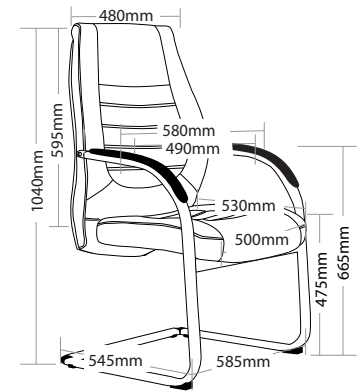
X Do not use as a step ladder



BOSTON-H



BOSTON-L



BOSTON-VC

# **BOSTON** EXECUTIVE SEATING



BOSTON-H



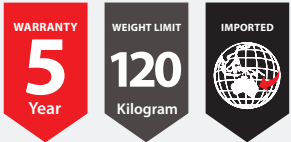
BOSTON-L



BOSTON-VC

# R6 EXECUTIVE SEATING

## GRAND



### FEATURES

#### GRAND-H/ GRAND-L

- » Adjustable seat height
- » Adjustable seat and back angle
- » Adjustable weight tension
- » Available in high and low back
- » Fixed aluminium arms
- » High density foam
- » Knee tilt mechanism with 3 locking positions
- » 700mm aluminium base
- » Available in black PU only
- » Minor assembly required
- » Suitable for indoor use only
- » 5 year warranty
- » Weight limit is 120kg

#### GRAND-VC

- » Chrome frame
- » High density foam
- » Available in black PU only
- » Minor assembly required
- » Suitable for indoor use only
- » 5 year warranty
- » Weight limit is 120kg

### INDOOR USE ONLY

X Do not use as a step ladder

FIXED ALUMINIUM ARMS

RIGHT KNOB

Wind forwards or backwards to adjust weight tension

INNER RIGHT LEVER

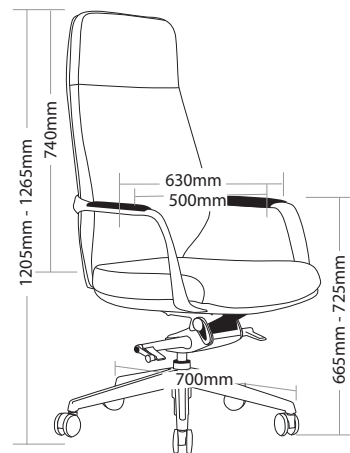
To adjust seat height

700MM ALUMINIUM 5 STAR BASE WITH CASTORS

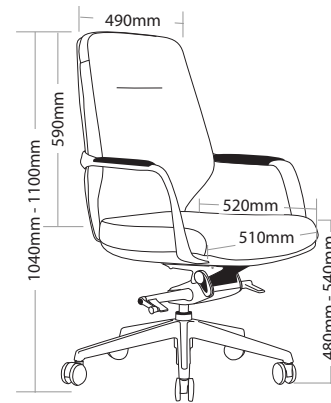
Use soft tyred castors for tiles  
Use hard tyred castors for carpet

LEFT LEVER

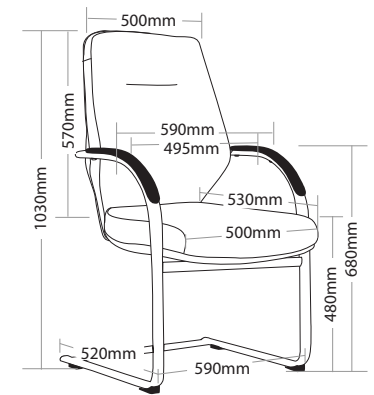
To adjust seat and back angle



GRAND-H



GRAND-L



GRAND-VC

# GRAND EXECUTIVE SEATING



GRAND-H



GRAND-L



GRAND-VC

# R6 EXECUTIVE SEATING

## FLASH



### FEATURES

#### FLEX1H/ FLEX1L

- » Adjustable seat height
- » Adjustable seat and back angle
- » Adjustable weight tension
- » Fixed arms
- » Available in high and low back
- » Knee tilt mechanism with 3 locking positions
- » 700mm aluminium base
- » Aluminium frame
- » Available in black leather only
- » Minor assembly required
- » Suitable for indoor use only
- » 5 year warranty
- » Weight limit is 120kg

#### FLVC1

- » Aluminium cantilever frame
- » Available in black leather only
- » Minor assembly required
- » Suitable for indoor use only
- » 5 year warranty
- » Weight limit is 120kg

### INDOOR USE ONLY

X Do not use as a step ladder

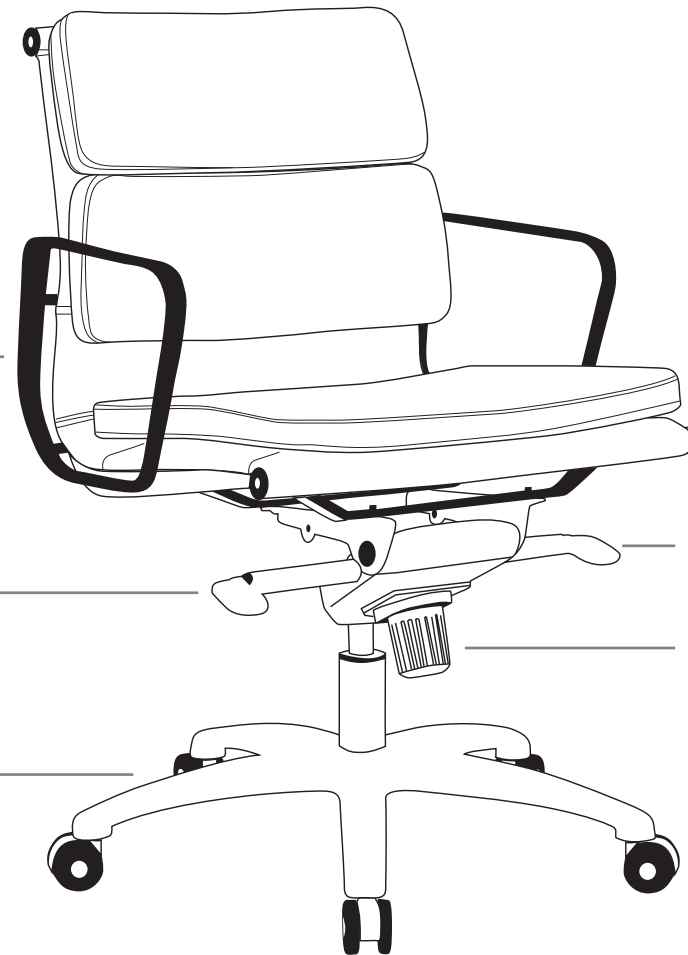
FIXED ALUMINIUM ARMS

RIGHT LEVER

To adjust seat height

700MM ALUMINIUM 5 STAR  
BASE WITH CASTORS

Use soft tyred castors for tiles  
Use hard tyred castors for carpet

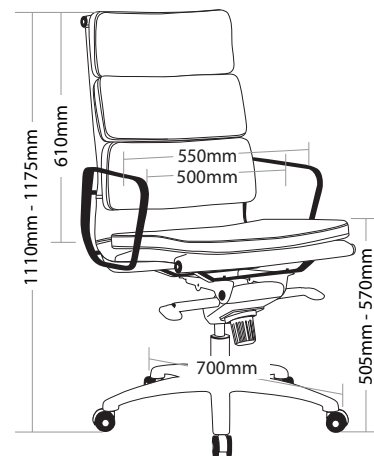


LEFT LEVER

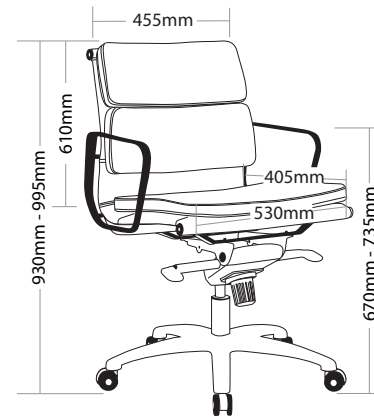
To adjust seat  
and back angle

FRONT KNOB

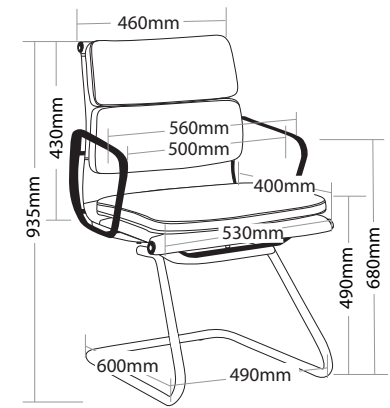
To adjust weight tension



FLEX1H



FLEX1L



FLVC1

# FLASH EXECUTIVE SEATING



FLEX1H



FLEX1L



FLVC1

# R6 EXECUTIVE SEATING

## SELECT



### FEATURES

- » Adjustable seat height
- » Adjustable seat and back angle
- » Adjustable weight tension
- » Available in high and low back
- » Fixed alloy arms
- » Knee tilt mechanism with 4 locking positions
- » 700mm alloy base
- » Available in A grade Italian leather only
- » Minor assembly required
- » Suitable for indoor use only
- » 5 year warranty
- » Weight limit 130kg

### INDOOR USE ONLY

X Do not use as a step ladder

FIXED ALLOY ARMS

RIGHT KNOB

To adjust weight tension

INNER RIGHT LEVER

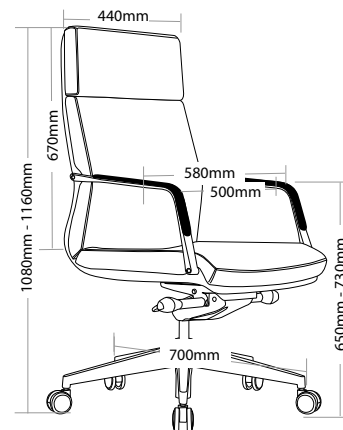
To adjust seat height

700MM ALLOY 5 STAR BASE WITH CASTORS

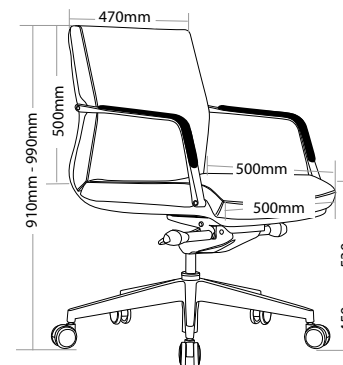
Use soft tyred castors for tiles  
Use hard tyred castors for carpet

LEFT KNOB

To adjust seat and back angle



SELECT-H



SELECT-L



# SELECT EXECUTIVE SEATING



SELECT-H



SELECT-L



BACK VIEW

# R6 EXECUTIVE SEATING

## ENZO

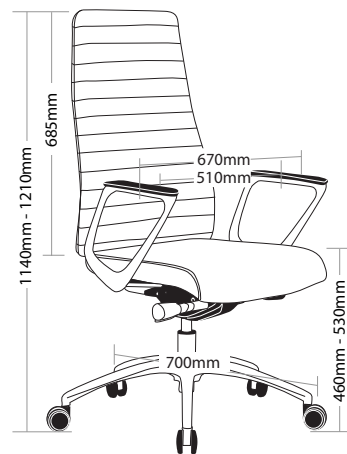
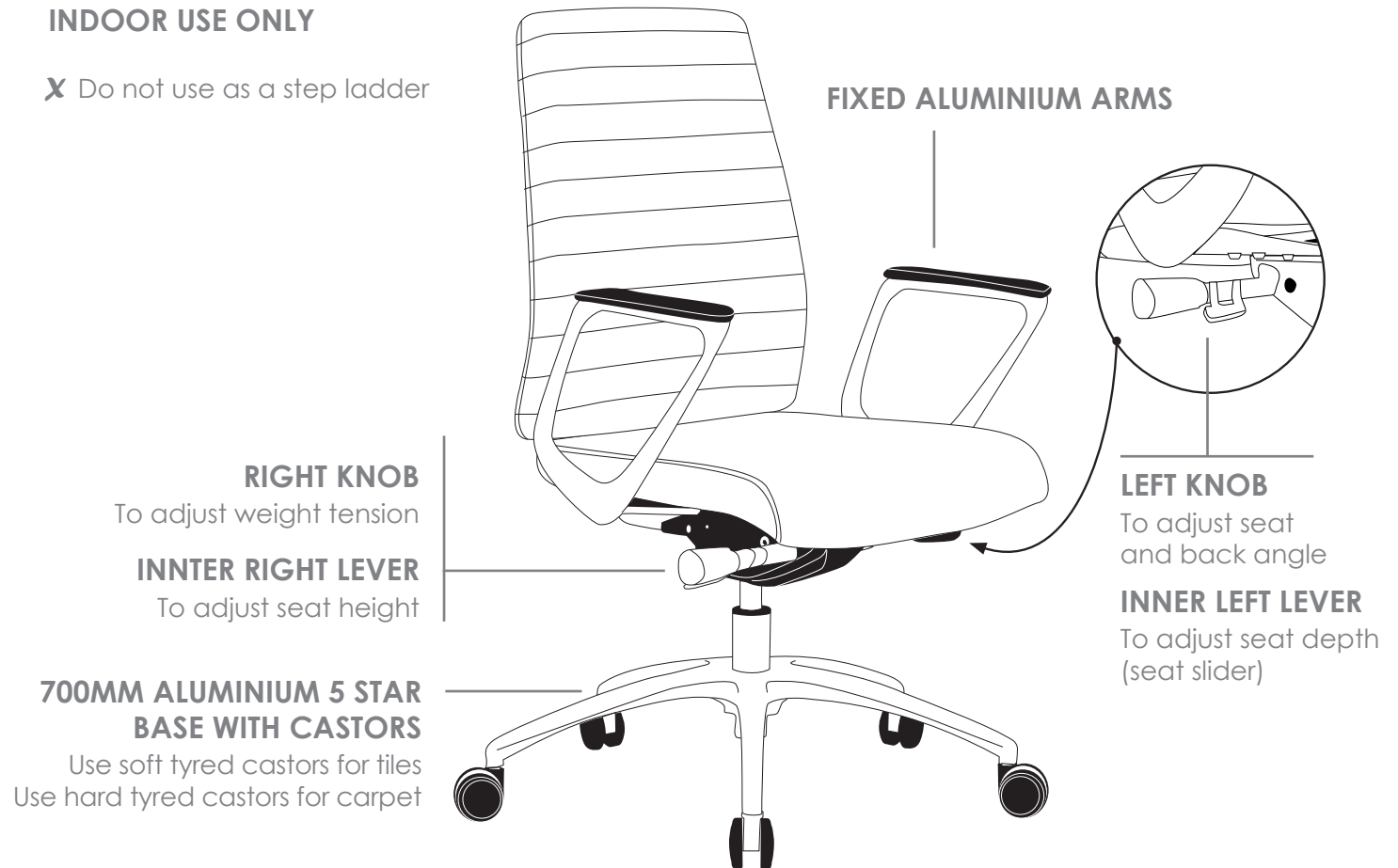


### FEATURES

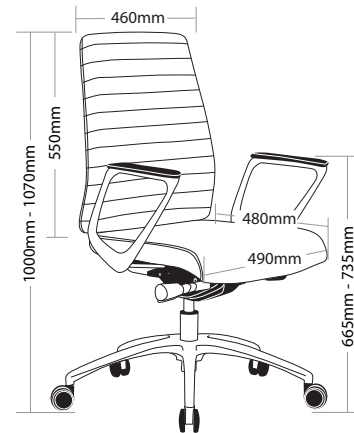
- » Adjustable seat height
- » Adjustable seat and back angle
- » Adjustable seat depth (seat slider)
- » Adjustable weight tension
- » Fixed aluminium arms
- » Available in high and low back
- » Ribbed back
- » Synchron mechanism with 3 locking positions
- » 700mm aluminium base
- » Available in black leather only
- » Suitable for indoor use only
- » 3 year warranty
- » Weight limit is 120kg

### INDOOR USE ONLY

✗ Do not use as a step ladder



ENZO-H



ENZO-L

# ENZO EXECUTIVE SEATING



ENZO-H



ENZO-L



BACKVIEW

# R6 EXECUTIVE SEATING

## MAGNUM



### FEATURES

#### MAGNUM-H/MAGNUM-L

- » Adjustable seat height
- » Adjustable seat and back angle
- » Adjustable weight tension
- » Fixed aluminium arms
- » Available in high and low back
- » Moulded seat and back foam
- » Knee tilt mechanism with 3 locking positions
- » 700mm aluminium base
- » Extremely comfortable
- » Available in black leather only
- » Suitable for indoor use only
- » 5 year warranty
- » Weight limit is 120kg

#### MAGNUM-VC

- » Fixed aluminium arms
- » Chrome cantilever frame
- » Extremely comfortable
- » Available in black leather only
- » Suitable for indoor use only
- » 5 year warranty
- » Weight limit is 120kg

### INDOOR USE ONLY

X Do not use as a step ladder

FIXED ALUMINIUM ARMS

RIGHT LEVER

To adjust seat height

700MM ALUMINIUM 5 STAR BASE WITH CASTORS

Use soft tyred castors for tiles  
Use hard tyred castors for carpet

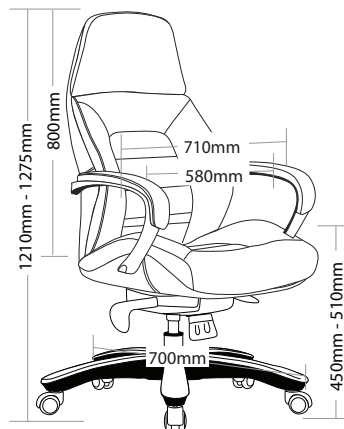


LEFT LEVER

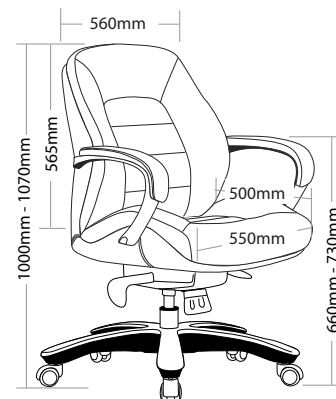
To adjust seat and back angle

FRONT KNOB

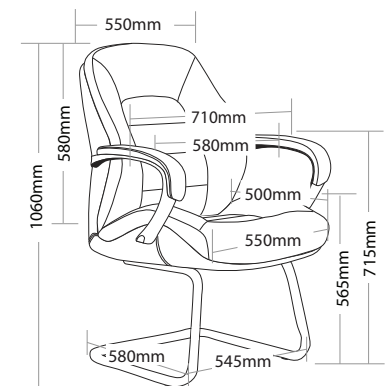
To adjust weight tension



MAGNUM-H



MAGNUM-L



MAGNUM-VC

# MAGNUM EXECUTIVE SEATING



MAGNUM-H



MAGNUM-L



MAGNUM-VC

# R6 EXECUTIVE SEATING

## CAPTAIN

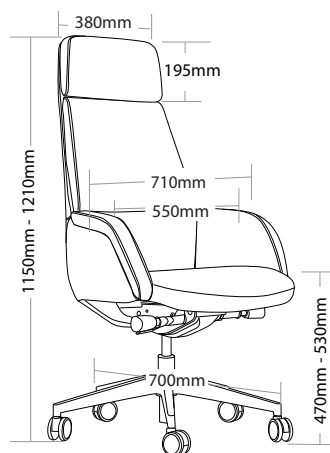


### FEATURES

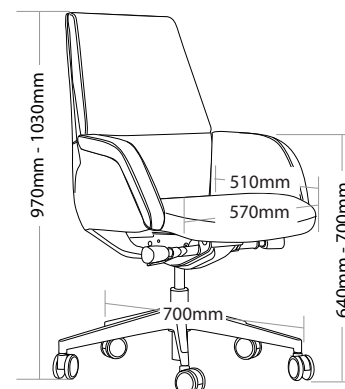
- » Adjustable seat height
- » Adjustable seat and back angle
- » Adjustable weight tension
- » Adjustable seat depth (seat slider)
- » Available in high and low back
- » Synchron mechanism with 3 locking positions
- » 700mm aluminium base
- » Extremely comfortable
- » Available in black leather only
- » Carbon fibre back upholstery
- » Suitable for indoor use only
- » 5 year warranty
- » Weight limit is 130kg

### INDOOR USE ONLY

X Do not use as a step ladder



CAPTAIN-H



CAPTAIN-L

# **CAPTAIN** EXECUTIVE SEATING



CAPTAIN-H



CAPTAIN-L



BACK VIEW

# R7 HOSPITALITY SEATING

## NEO

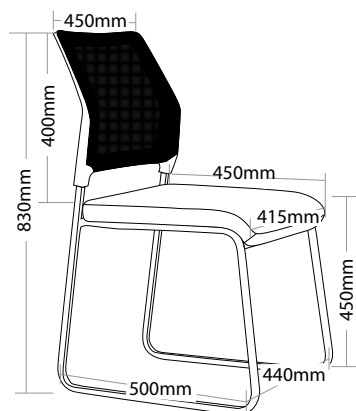
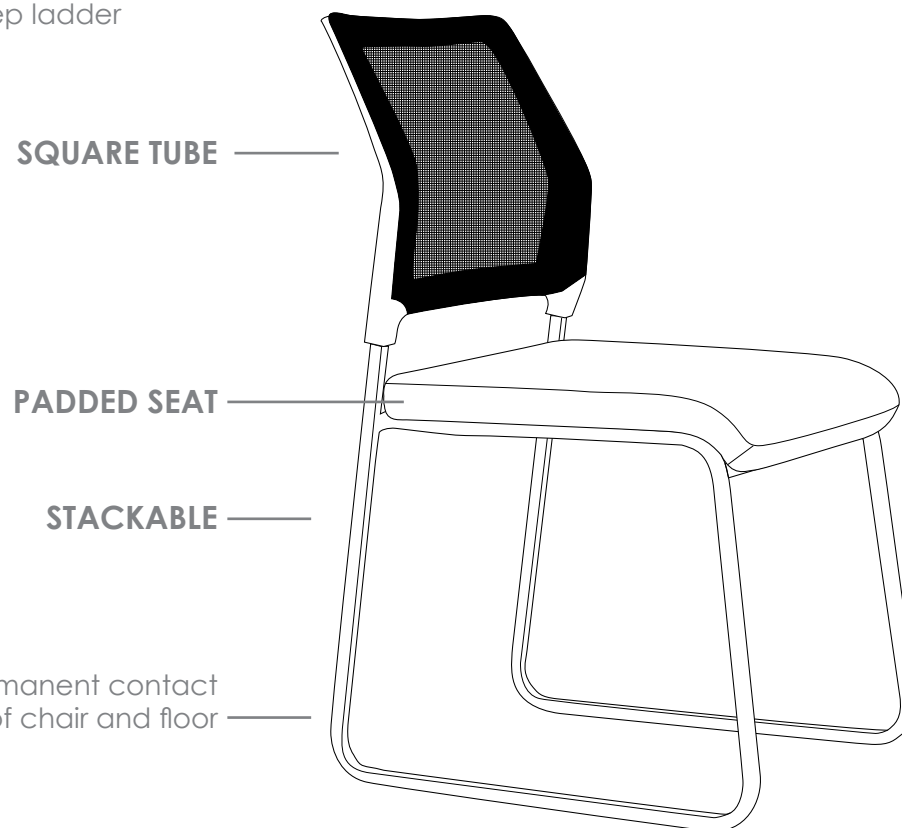


### FEATURES

- » Not available with arms
- » Stackable
  - » Maximum 5 chairs on floor
- » Square tube
- » Mesh back
- » Padded seat
- » Black metal frame
- » Available in black only
- » Minor assembly required
- » Suitable for indoor use only
- » 3 year warranty
- » Weight limit is 120kg

### INDOOR USE ONLY

✘ Do not use as a step ladder



NEO



# NEO HOSPITALITY SEATING



NEO



BACK VIEW



SIDE VIEW

# R7 HOSPITALITY SEATING

## ROSE



### » FEATURES

- » Soft padding
- » Polyurethane arm pads
- » Chrome finish
- » Fully welded frame
- » Available in black PU only
- » Minor assembly required
- » Suitable for indoor use only
- » 3 year warranty
- » Weight limit is 120kg

### INDOOR USE ONLY

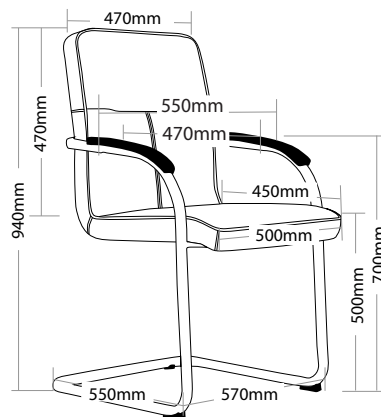
✘ Do not use as a step ladder

POLYURETHANE  
ARM PADS

SOFT PADDING

CHROME FRAME

Keep a permanent contact  
between base of chair and floor



ROSE

# ROSE HOSPITALITY SEATING



ROSE



BACK VIEW



SIDE VIEW

## FOCUS



### FEATURES

- » Optional arms
- » Optional left / right hand tablet arm
- » Optional black metal trolley, easy to move when stacked
- » Available in beam seating
- » Multi purpose stackable client chair
  - » Maximum 20 chairs on trolley
  - » Maximum 5 chairs on floor
  - » Maximum 3 chairs with arms
  - » Not stackable with tablet arms
- » Linkable except with tablet arms or arms
- » Fully strengthened plastic back shell
- » Fully welded frame
- » Sled chrome base
- » Available in black only
- » BIFMA drop tested
- » Suitable for indoor use only
- » 4 year warranty
- » Weight limit is 120kg

### INDOOR USE ONLY

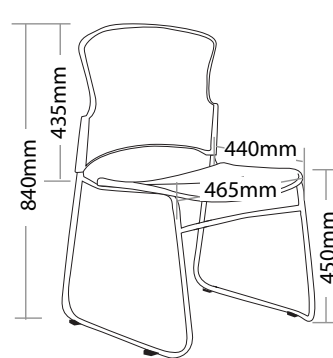
✗ Do not use as a step ladder

WELDED FRAME

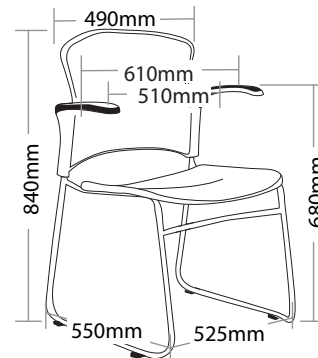
STACKABLE

SLED BASE FRAME

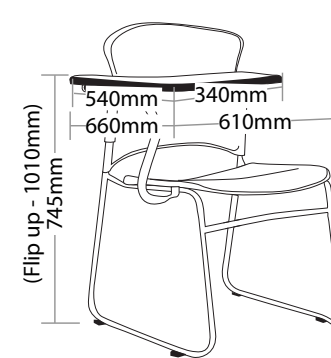
Keep a permanent contact between base of chair and floor



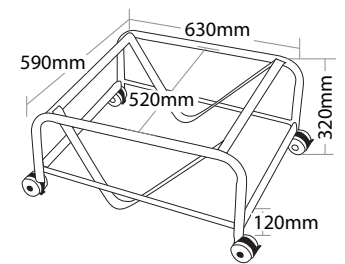
FOC-1



FOC-1A



FOC-1TR



FOC-TRL

# FOCUS HOSPITALITY SEATING



FOC-1



FOC-1A



FOC-1TR



FOC-1TL



FOC-TRL



## VINN



### FEATURES

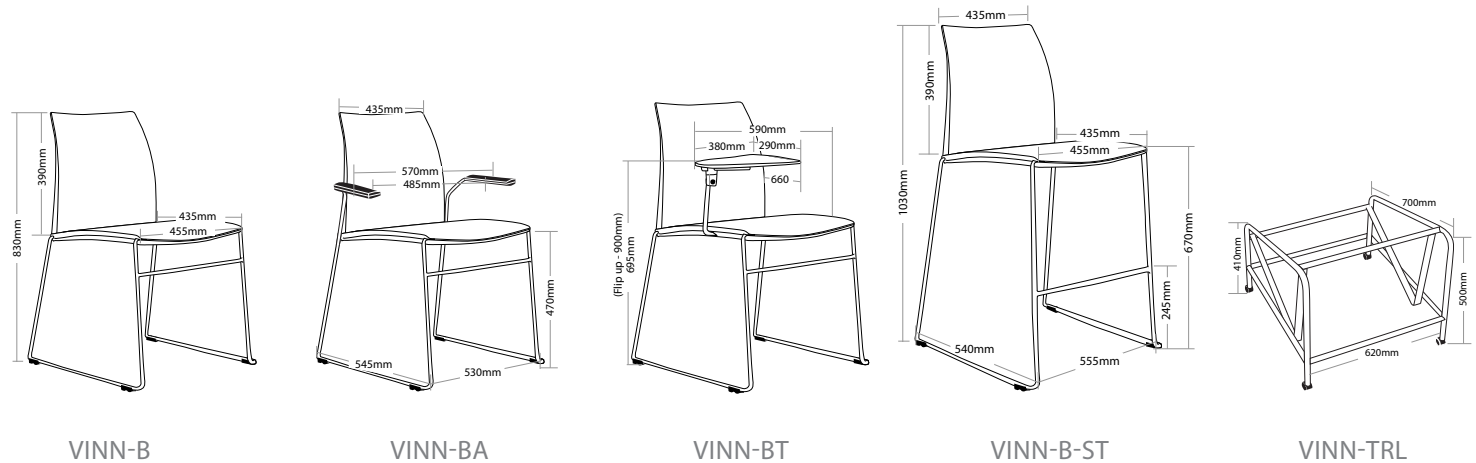
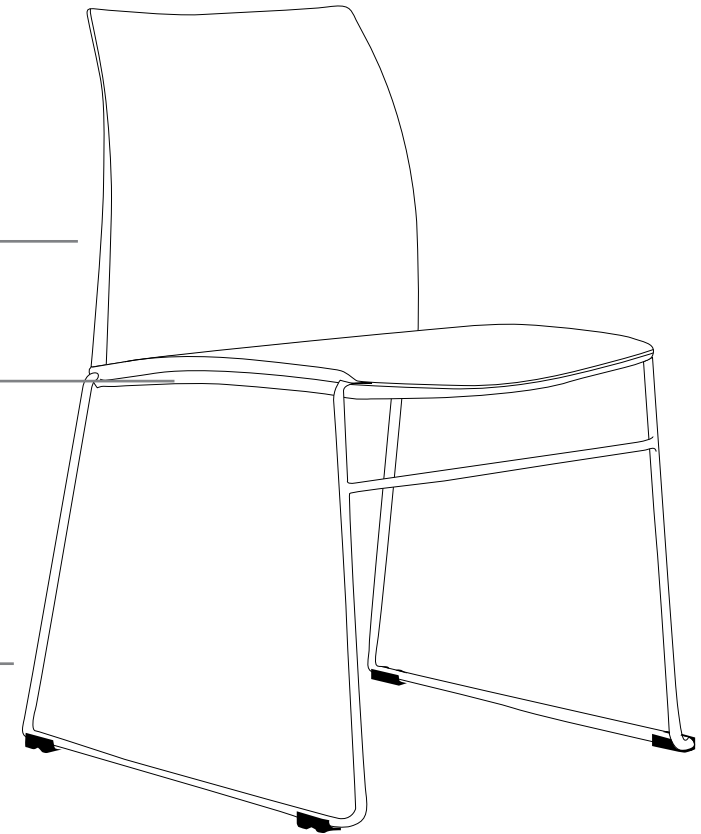
- » Optional plastic or mesh back
- » Optional arms, tablet arm or stool
- » Optional black metal trolley, easy to move when stacked
- » Available in beam seating
- » Stackable
  - » Maximum 13 chairs on trolley
  - » Maximum 5 chairs on floor
  - » Maximum 3 chairs with stools or arms
- » Not stackable with tablet arms or stool with arms
- » Linkable except with tablet arms or arms
- » Chrome finish
- » Black plastic
- » Plastic under pan
- » Solid steel sled base frame
- » Available in black only
- » Suitable for indoor use only
- » 4 year warranty
- » Weight limit is 120kg

### INDOOR USE ONLY

✗ Do not use as a step ladder

STACKABLE  
PLASTIC UNDER PAN

SOLID STEEL SLED BASE FRAME  
Keep a permanent contact between base of chair and floor



VINN-B

VINN-BA

VINN-BT

VINN-B-ST

VINN-TRL

# VINN HOSPITALITY SEATING



VINN-B



VINN-BA



VINN-BT



VINN-B-ST



VINN-B-STA



VINN-TRL



## VINN MESH

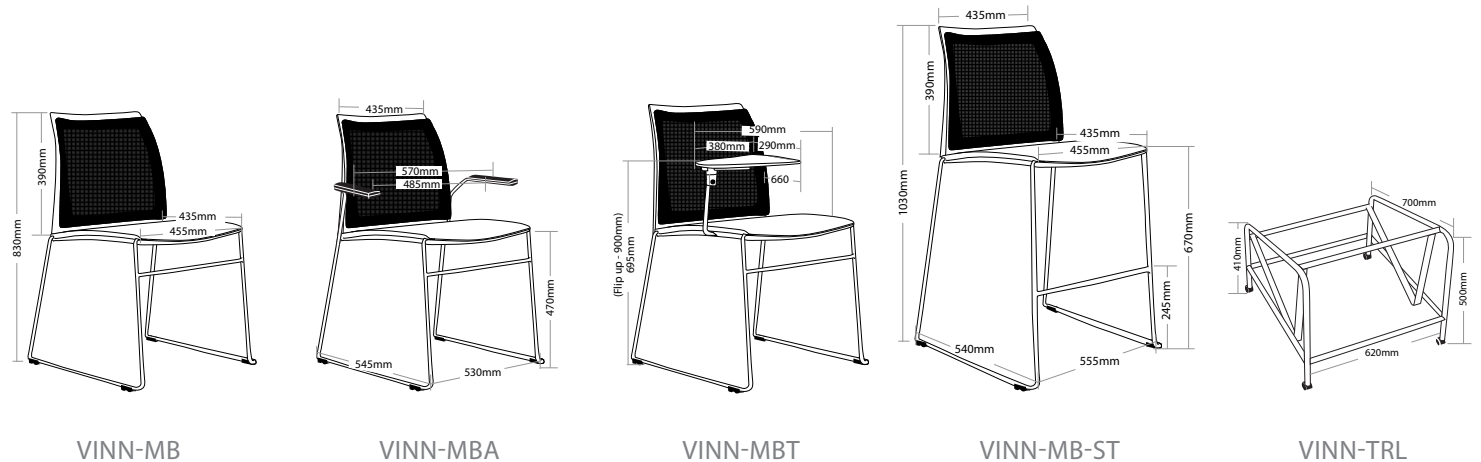
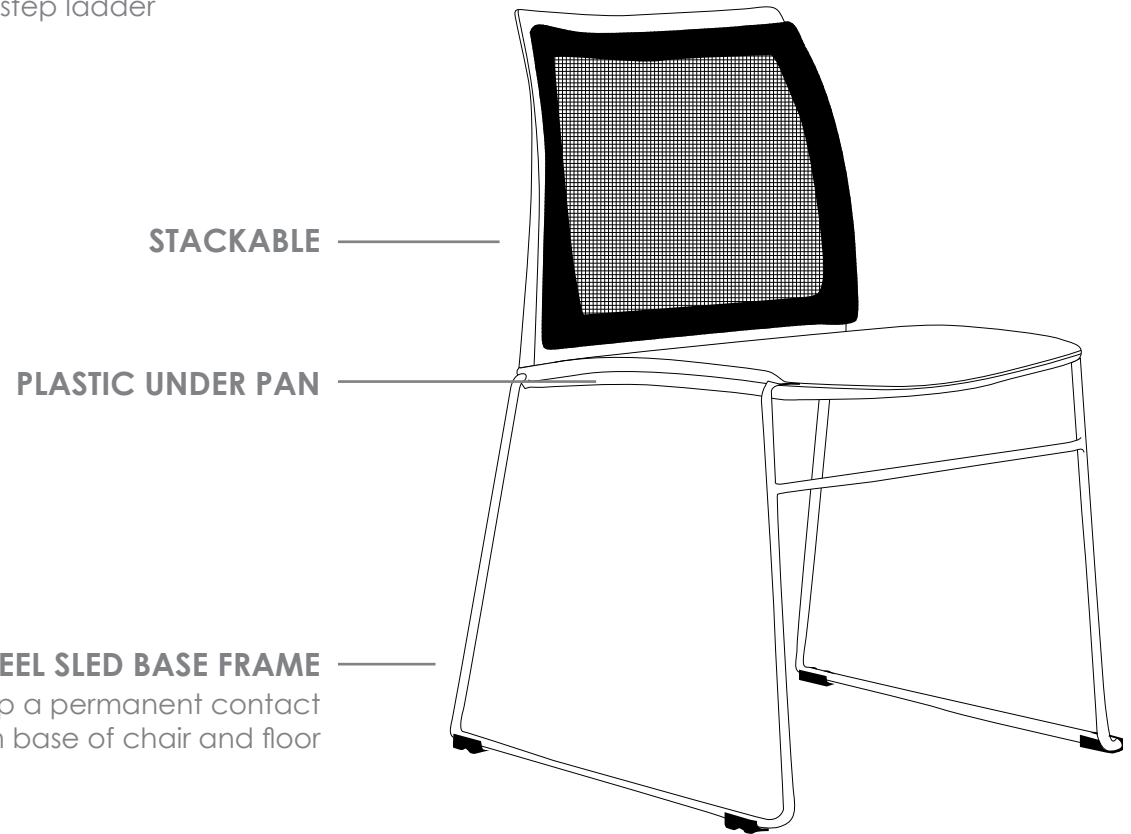


### FEATURES

- » Optional plastic or mesh back
- » Optional arms, tablet arm or stool
- » Optional black metal trolley, easy to move when stacked
- » Available in beam seating
- » Stackable
  - » Maximum 13 chairs on trolley
  - » Maximum 5 chairs on floor
  - » Maximum 3 chairs with stools or arms
- » Not stackable with tablet arms or stool with arms
- » Linkable except with tablet arms or arms
- » Chrome finish
- » Black plastic
- » Plastic under pan
- » Solid steel sled base frame
- » Available in black only
- » Suitable for indoor use only
- » 4 year warranty
- » Weight limit is 120kg

**INDOOR USE ONLY**

**X** Do not use as a step ladder





# VINN MESH HOSPITALITY SEATING



VINN-MB



VINN-MBA



VINN-MBT



VINN-MB-ST



VINN-MB-STA



VINN-TRL



## POD 4 LEGS



### FEATURES

- » Optional arms
- » Optional tablet arm
- » Optional stool
- » Optional black metal trolley, easy to move when stacked
- » Optional 4 legs or sled base chrome frame
- » Available in beam seating
- » Stackable
  - » Maximum 13 chairs on trolley
  - » Maximum 5 chairs on floor
  - » Maximum 3 chairs with stool or arms
  - » Maximum 3 chairs with tablet arms
- » Plastic under pan
- » Available in black, red and white only
- » Suitable for indoor use only
- » 4 year warranty
- » Weight limit is 120kg

### COLOUR



B-Black R-Red W-White

### INDOOR USE ONLY

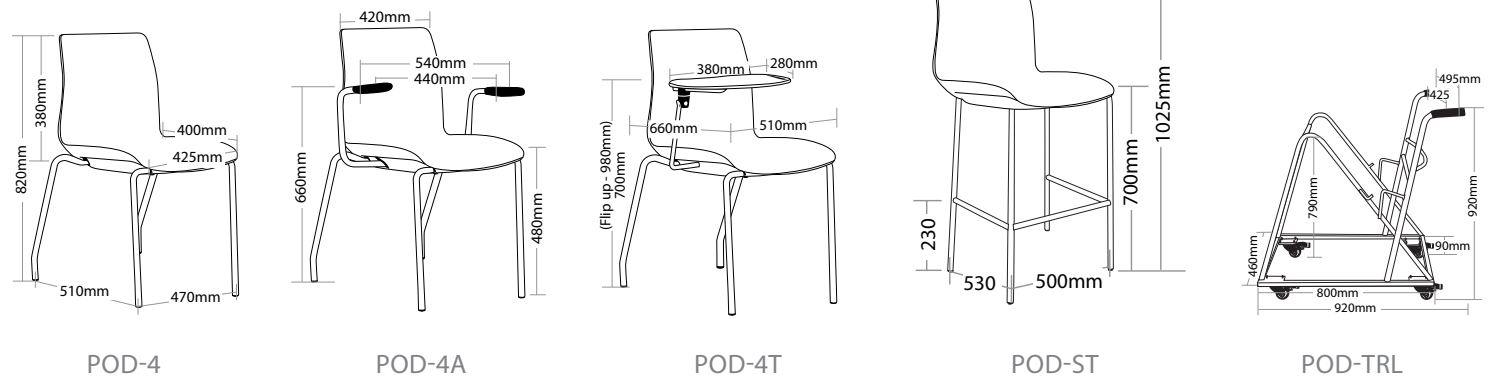
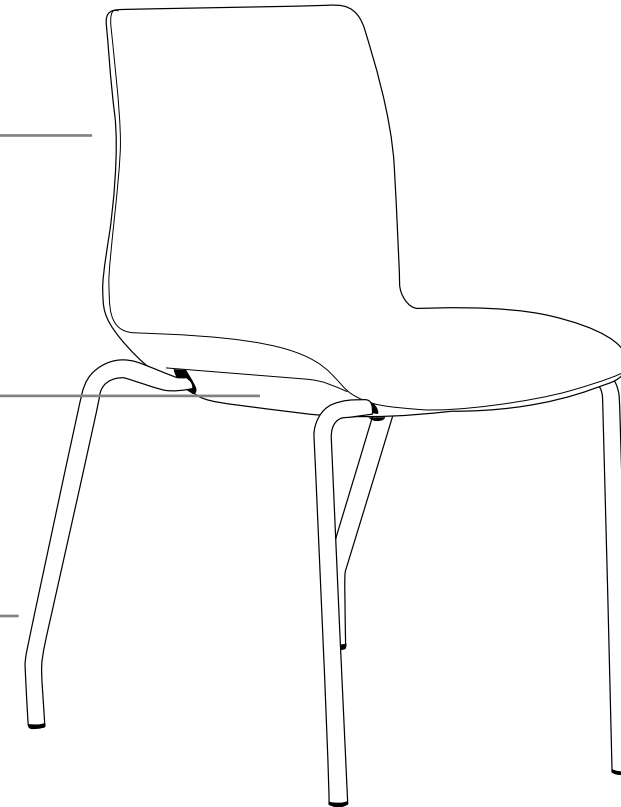
✗ Do not use as a step ladder

STACKABLE

PLASTIC UNDER PAN

4 LEGS FRAME

Keep a permanent contact between base of chair and floor



# POD 4 LEGS HOSPITALITY SEATING



POD-4B



POD-4RA



POD-4WT



POD-STW



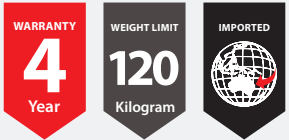
POD-STB



POD-TRL

# R7 HOSPITALITY SEATING

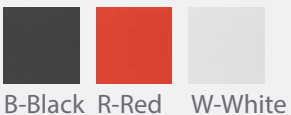
## POD SLED



### FEATURES

- » Optional arms
- » Optional tablet arm
- » Optional black metal trolley, easy to move when stacked
- » Optional 4 legs or sled base chrome frame
- » Available in beam seating
- » Stackable
  - » Maximum 13 chairs on trolley
  - » Maximum 5 chairs on floor
  - » Not stackable with arms or tablet arms
- » Plastic under pan
- » Available in black, red and white only
- » Suitable for indoor use only
- » 4 year warranty
- » Weight limit is 120kg

### COLOUR



### INDOOR USE ONLY

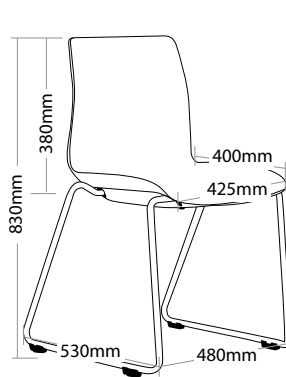
✗ Do not use as a step ladder

STACKABLE

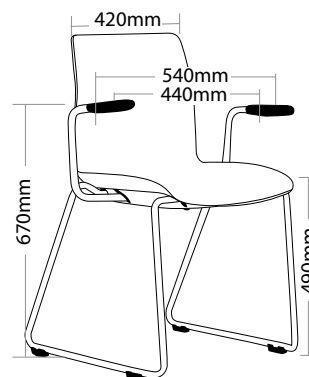
PLASTIC UNDER PAN

SLED FRAME

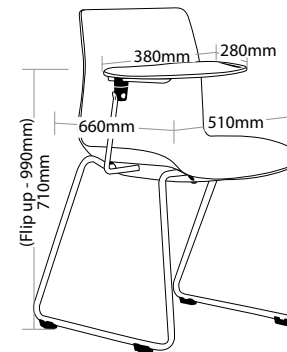
Keep a permanent contact between base of chair and floor



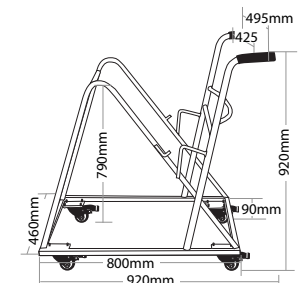
POD-S



POD-SA



POD-ST



POD-TRL

# POD SLED HOSPITALITY SEATING



POD-SB



POD-SRA



POD-SWT



POD-TRL

# R8 BEAM SEATING

## FOCUS

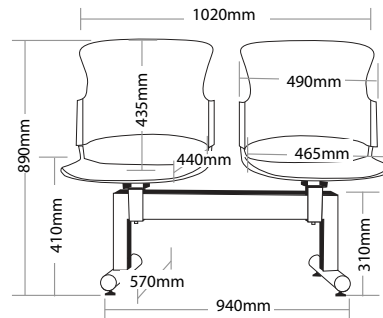
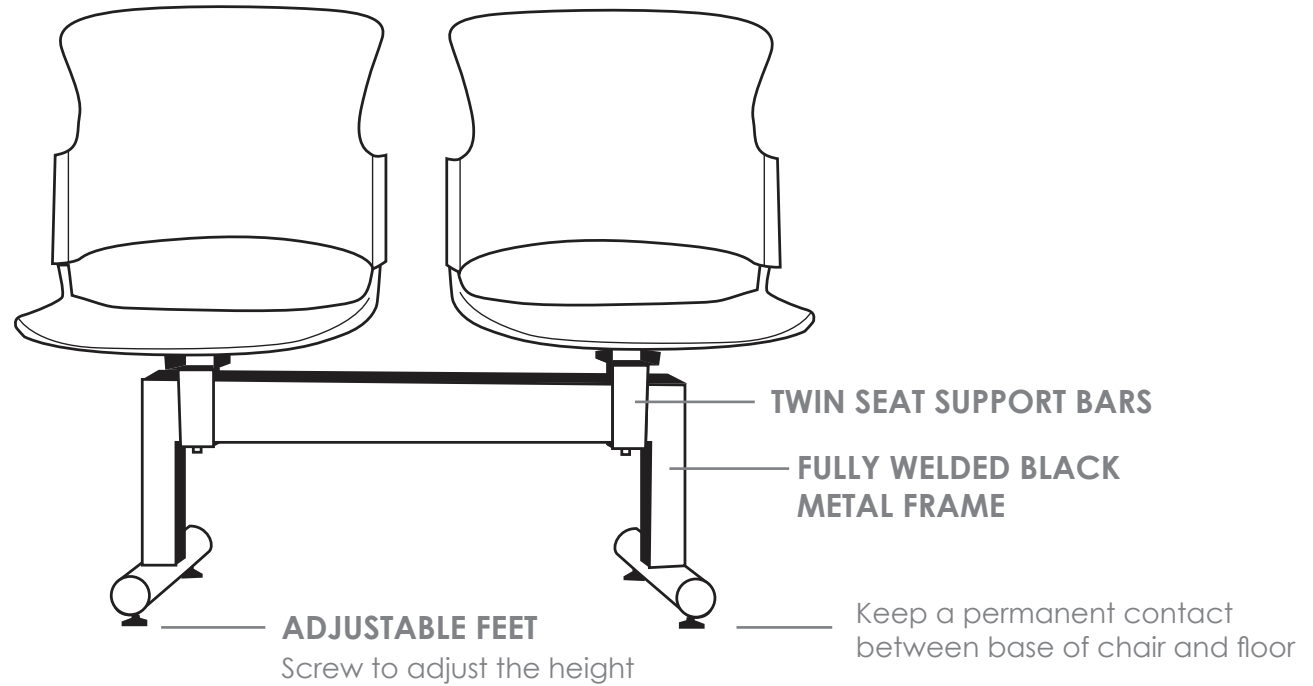


### FEATURES

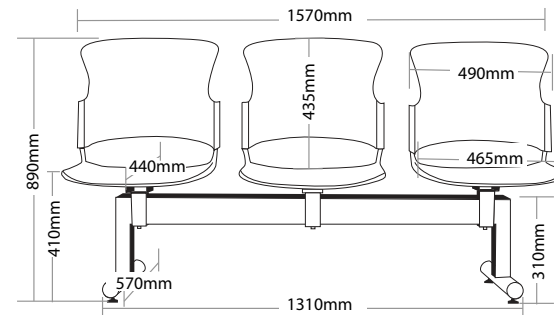
- » Optional 2 or 3 seater
- » Fully welded black metal frame
- » Twin seat support bars
- » Adjustable feet
- » Available in black only
- » Minor assembly required
- » Suitable for indoor use only
- » 4 year warranty
- » Weight limit for 2 seater is 200kg
- » Weight limit for 3 seater is 300kg

### INDOOR USE ONLY

✘ Do not use as a step ladder



F-BEAM 2



F-BEAM 3

# FOCUS BEAM SEATING



F-BEAM 2



F-BEAM 3

# R8 BEAM SEATING

## VINN

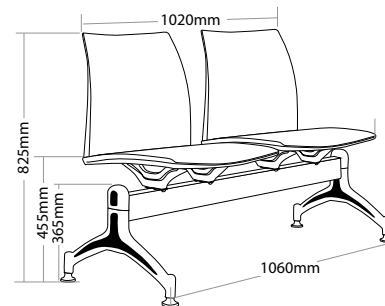
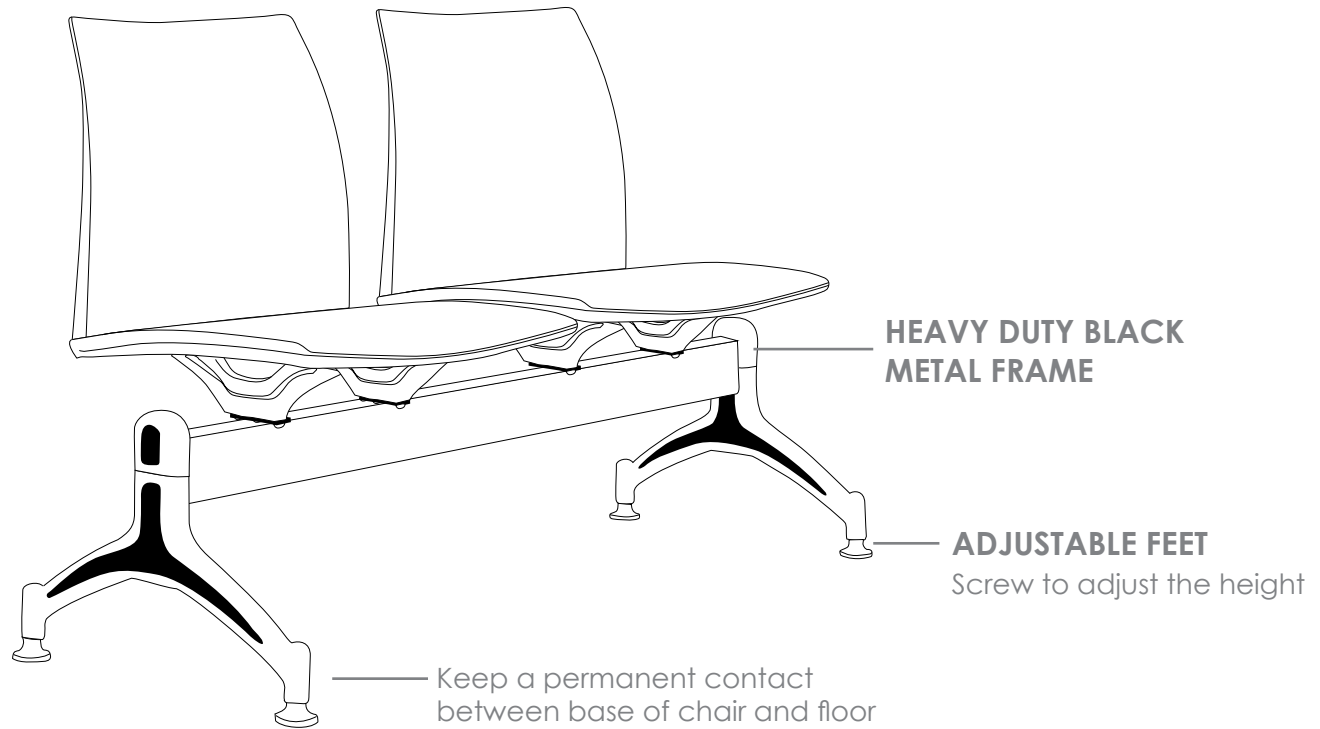


### FEATURES

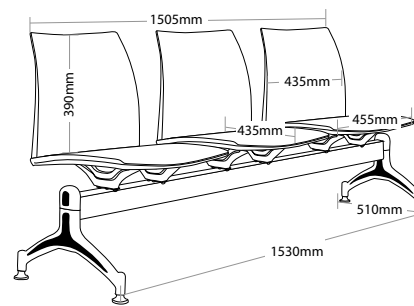
- » Optional 2, 3 or 4 seater
- » Optional plastic or mesh back
- » Heavy duty black metal beam frame
- » Black plastic
- » Adjustable feet
- » Available in black only
- » Minor assembly required
- » Suitable for indoor use only
- » 4 year warranty
- » Weight limit for 2 seater is 180kg
- » Weight limit for 3 seater is 250kg
- » Weight limit for 4 seater is 300kg

### INDOOR USE ONLY

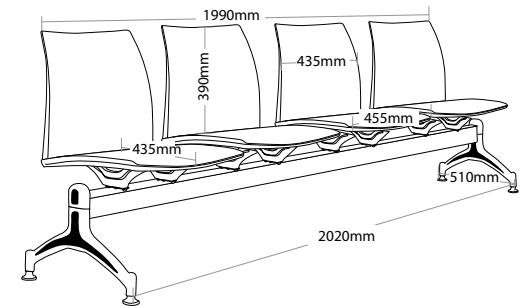
✗ Do not use as a step ladder



V-BEAM 2



V-BEAM 3



V-BEAM 4



# VINN BEAM SEATING



V-BEAM 2



V-BEAM 3



V-BEAM 4



V-BEAM 2M



V-BEAM 3M



V-BEAM 4M

# R8 BEAM SEATING

## POD



### FEATURES

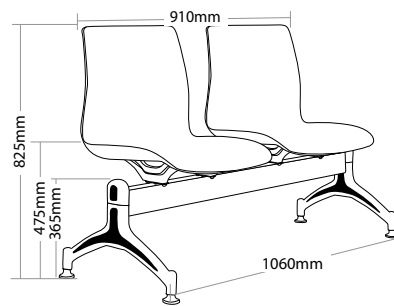
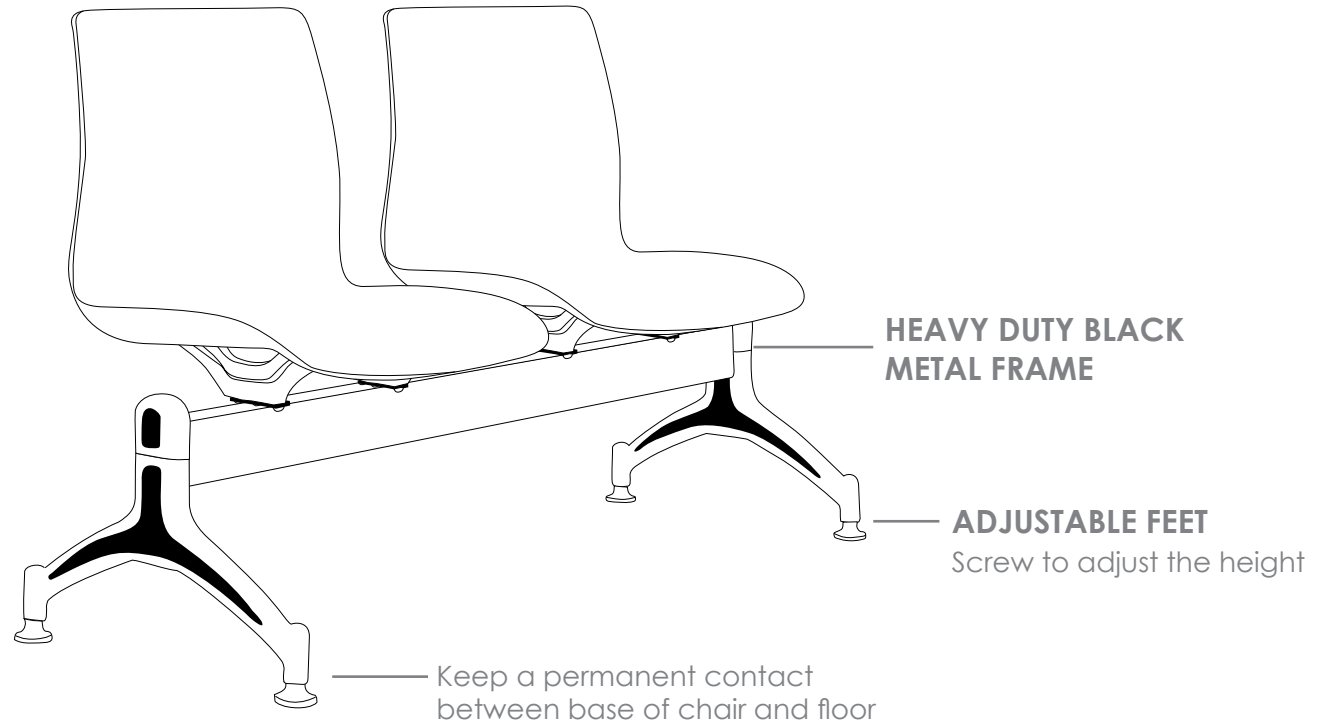
- » Optional 2, 3 or 4 seater
- » Heavy duty black metal beam frame
- » Adjustable feet
- » Available in black, red and white only
- » Minor assembly required
- » Suitable for indoor use only
- » 4 year warranty
- » Weight limit for 2 seater is 200kg
- » Weight limit for 3 seater is 300kg
- » Weight limit for 4 seater is 350kg

### COLOUR

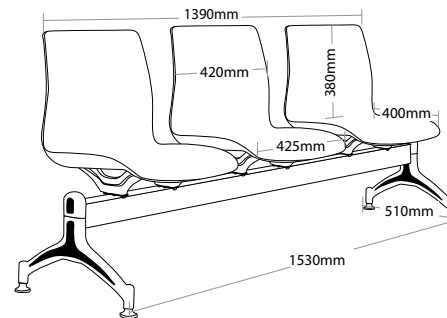


### INDOOR USE ONLY

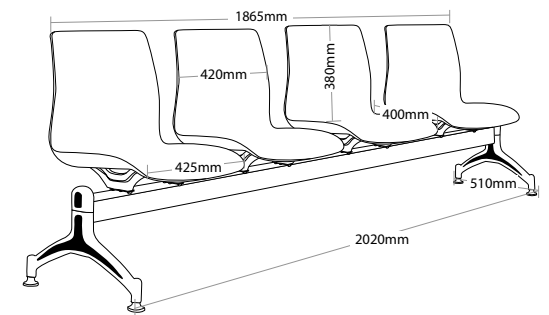
✘ Do not use as a step ladder



P-BEAM 2



P-BEAM 3



P-BEAM 4

# POD BEAM SEATING



P-BEAM 2B



P-BEAM 3R



P-BEAM 4W



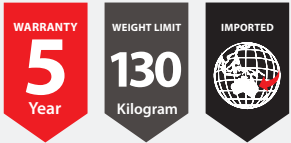
SIDE VIEW



BACK VIEW

# R9 BREAKOUT SEATING

## RAVEN



### FEATURES

- » Fully upholstered
- » High density foam
- » Sled base chrome frame
- » Plywood shell
- » Available in Sega charcoal and red only
- » Minor assembly required
- » Suitable for indoor use only
- » 5 year warranty
- » Weight limit is 130kg

### COLOUR



### INDOOR USE ONLY

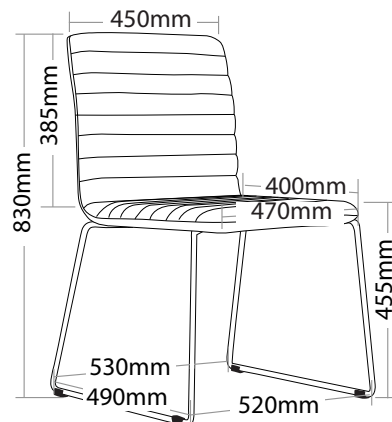
✘ Do not use as a step ladder

PLYWOOD SHELL

HIGH DENSITY FOAM

SLED CHROME FRAME

Keep a permanent contact between base of chair and floor



RAVEN

# RAVEN BREAKOUT SEATING



RAVEN-C



RAVEN-R



BACKVIEW

# R9 BREAKOUT SEATING

## TONIC



### FEATURES

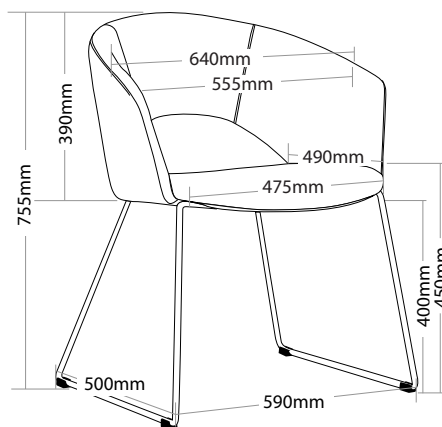
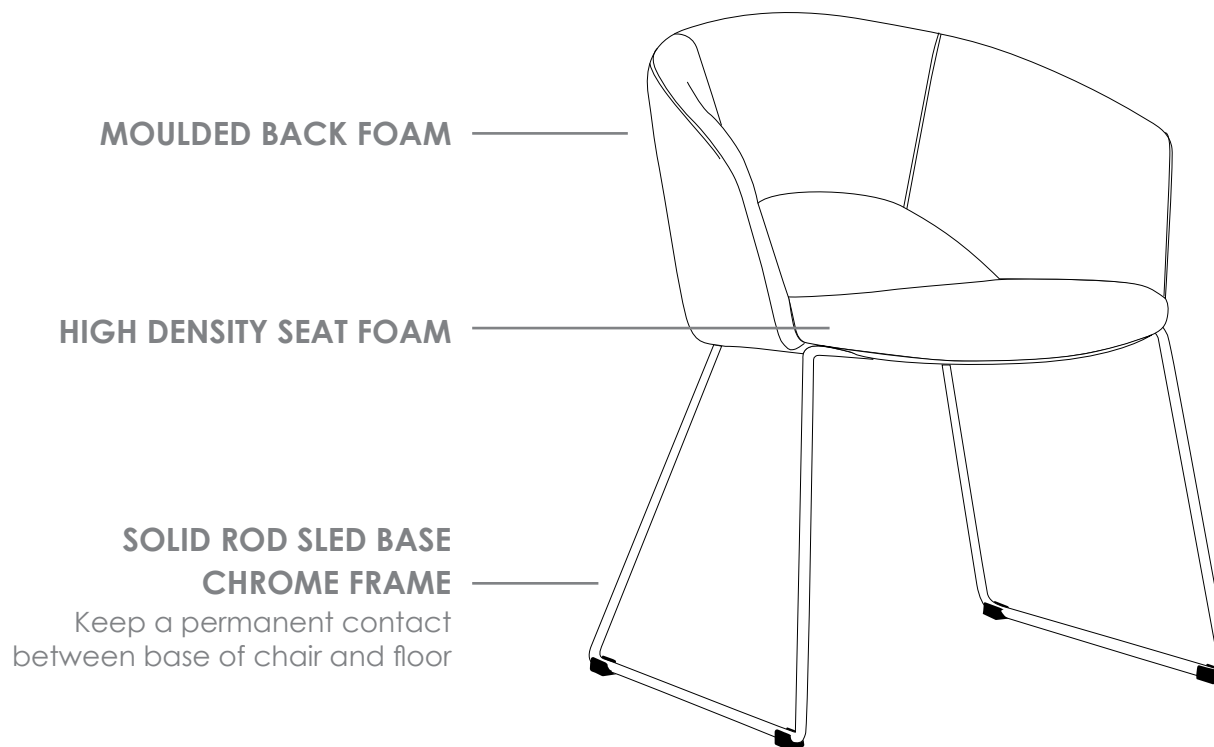
- » High density seat foam
- » Moulded back foam
- » Solid rod sled base chrome frame
- » Available in Sega charcoal and red only
- » Minor assembly required
- » Suitable for indoor use only
- » 5 year warranty
- » Weight limit is 120kg

### COLOUR



### INDOOR USE ONLY

✘ Do not use as a step ladder



TONIC

# TONIC BREAKOUT SEATING



TONIC-C



TONIC-R



BACKVIEW

# R9 BREAKOUT SEATING

## OSCAR



### FEATURES

- » High density foam
- » Sled base chrome frame
- » Plywood shell
- » Available in Sega charcoal and red only
- » Minor assembly required
- » Suitable for indoor use only
- » 5 year warranty
- » Weight limit is 130kg

### COLOUR



### INDOOR USE ONLY

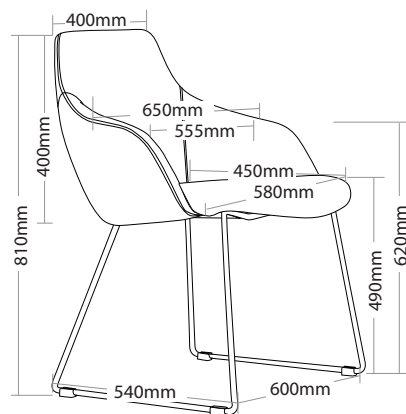
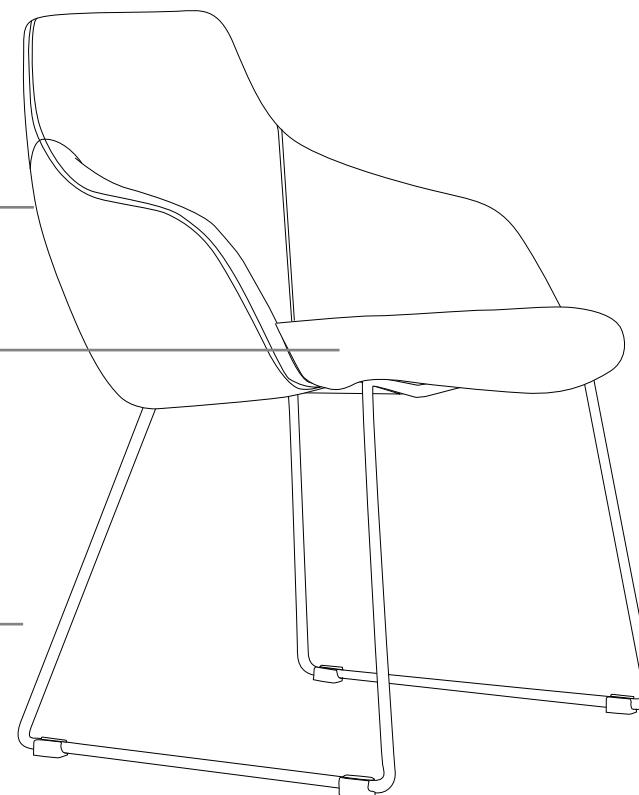
✘ Do not use as a step ladder

PLYWOOD SHELL

HIGH DENSITY FOAM

SLED CHROME FRAME

Keep a permanent contact between base of chair and floor



OSCAR



# OSCAR BREAKOUT SEATING



OSCAR-C



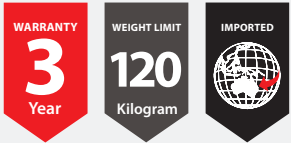
OSCAR-R



BACK VIEW

# R10 SOFT SEATING

## ORION

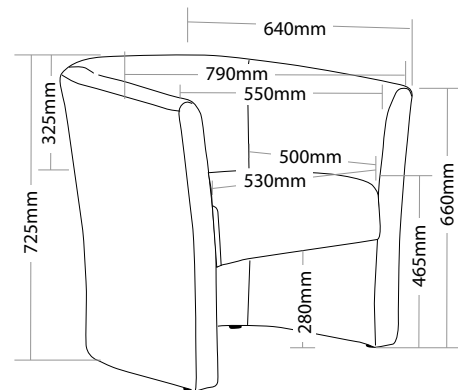
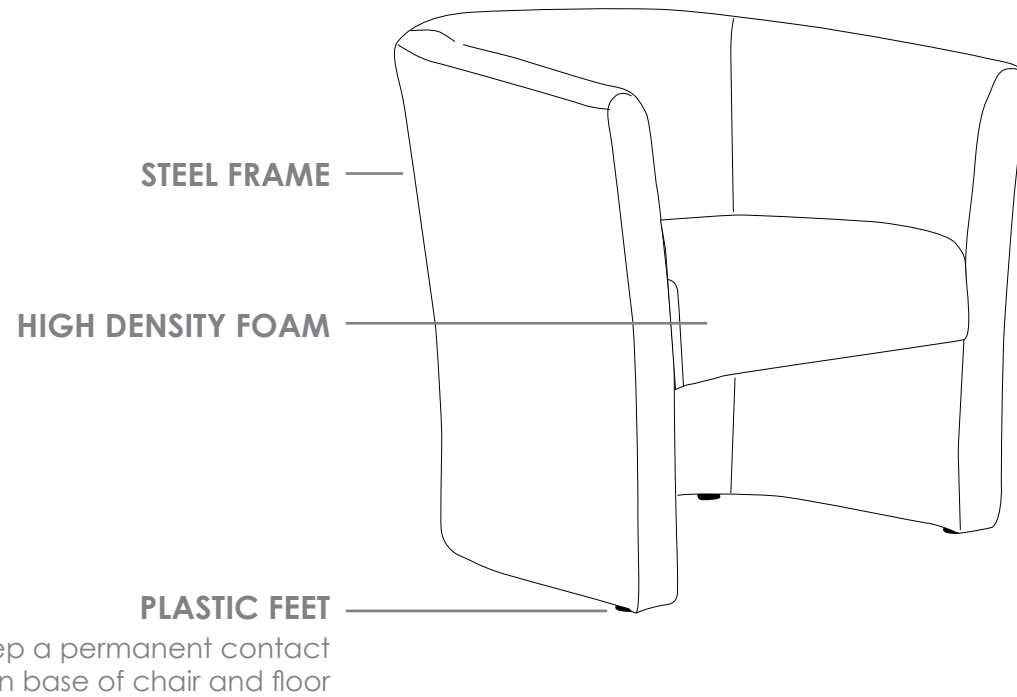


### FEATURES

- » High density foam
- » Steel frame
- » Plastic feet
- » Available in black PU only
- » Minor assembly required
- » Suitable for indoor use only
- » 3 year warranty
- » Weight limit is 120kg

### INDOOR USE ONLY

✘ Do not use as a step ladder



ORION

# ORION SOFT SEATING



ORION



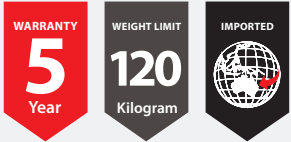
FRONT VIEW



BACK VIEW

# R10 SOFT SEATING

## BLITZ

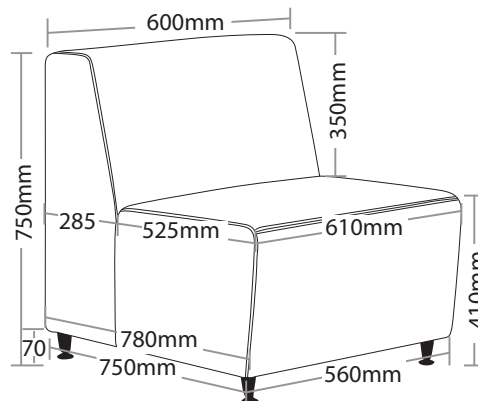
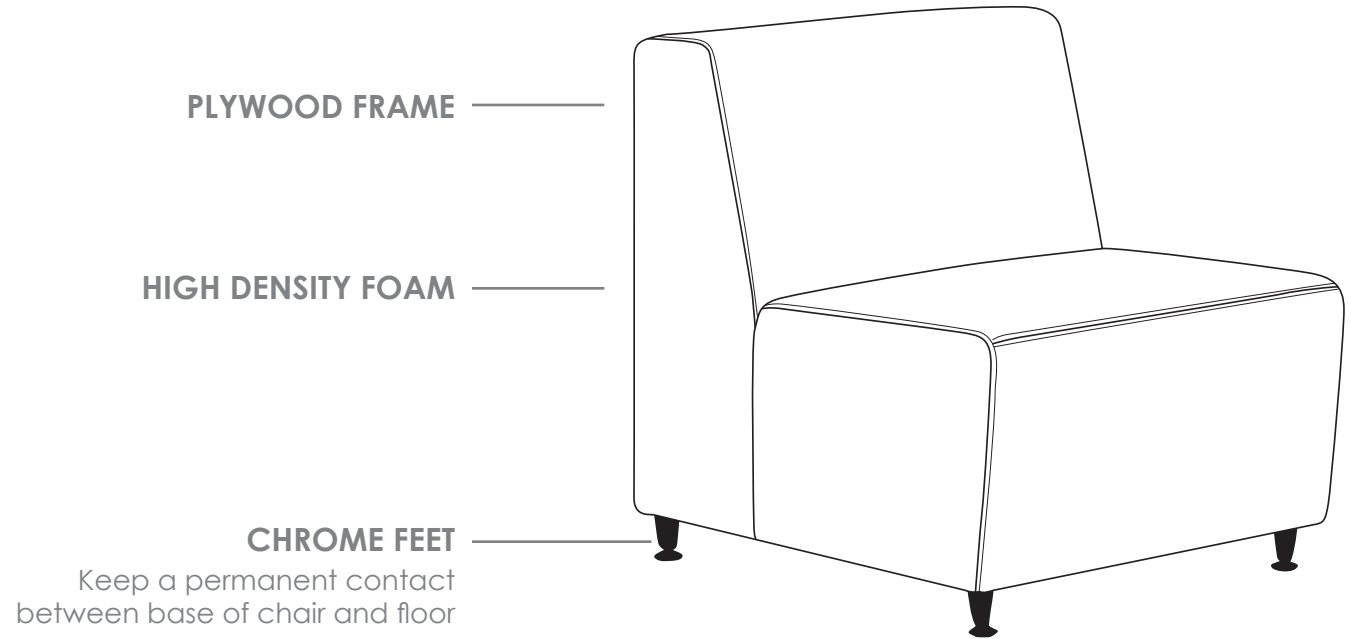


### FEATURES

- » High density foam
- » Zig zag steel spring
- » Plywood frame
- » Chrome feet
- » Available in black PU
- » Minor assembly required
- » Suitable for indoor use only
- » 5 year warranty
- » Weight limit is 120kg

### INDOOR USE ONLY

✘ Do not use as a step ladder



BLITZ-B

# BLITZ SOFT SEATING



BLITZ-B



BACK VIEW



SIDE VIEW

# R10 SOFT SEATING

## RIVET



### FEATURES

- » Optional 1 or 2 seater
- » High density foam
- » Stainless steel frame
- » Solid timber inner frame
- » Available in black PU only
- » Minor assembly required
- » Suitable for indoor use only
- » 5 year structural warranty
- » Weight limit for 1 seater is 130kg
- » Weight limit for 2 seater is 260kg

### INDOOR USE ONLY

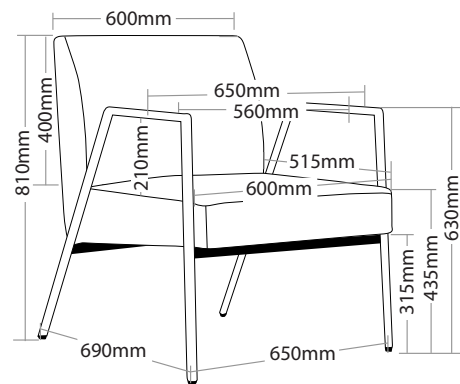
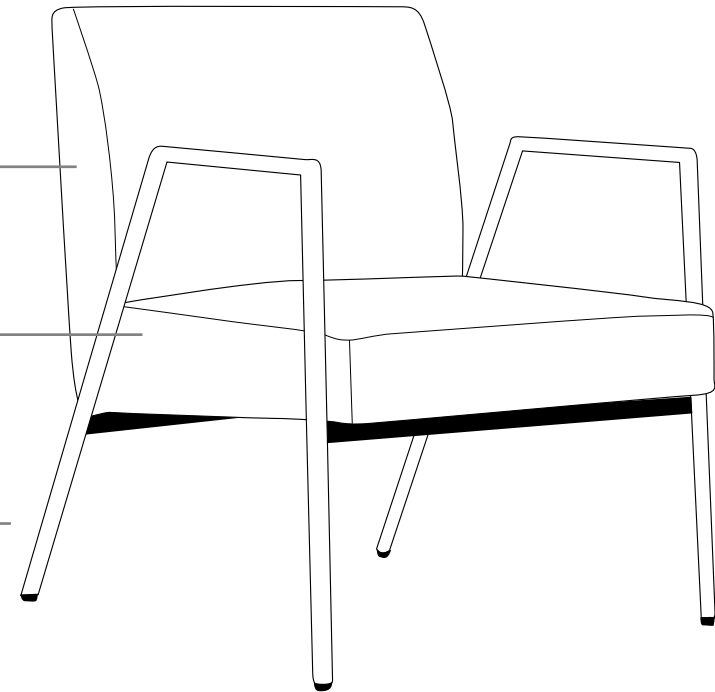
✘ Do not use as a step ladder

SOLID TIMBER INNER FRAME

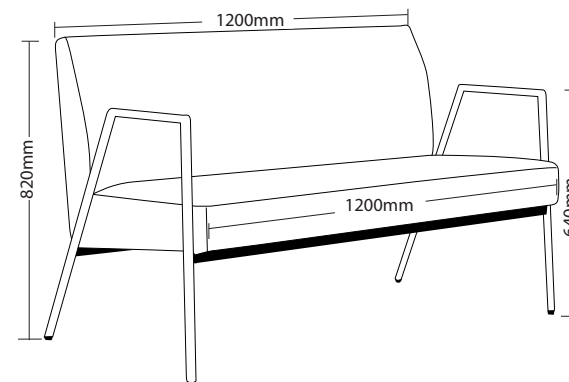
HIGH DENSITY FOAM

STAINLESS STEEL FRAME

Keep a permanent contact between base of chair and floor



RIVET-1



RIVET-2

# RIVET SOFT SEATING



RIVET-1



RIVET-2

# R10 SOFT SEATING

## JADEN



### FEATURES

- » Optional 1 or 2 seater
- » High density foam
- » Stainless steel frame
- » Solid timber inner frame
- » Available in black PU only
- » Minor assembly required
- » Suitable for indoor use only
- » 5 year structural warranty
- » Weight limit for 1 seater is 130kg
- » Weight limit for 2 seater is 260kg

### INDOOR USE ONLY

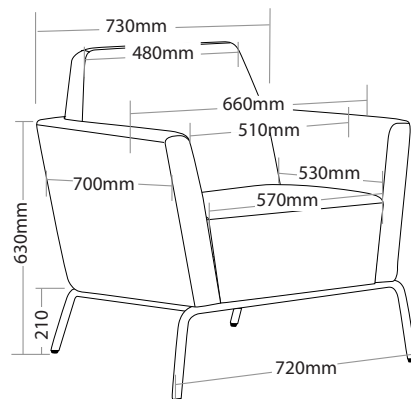
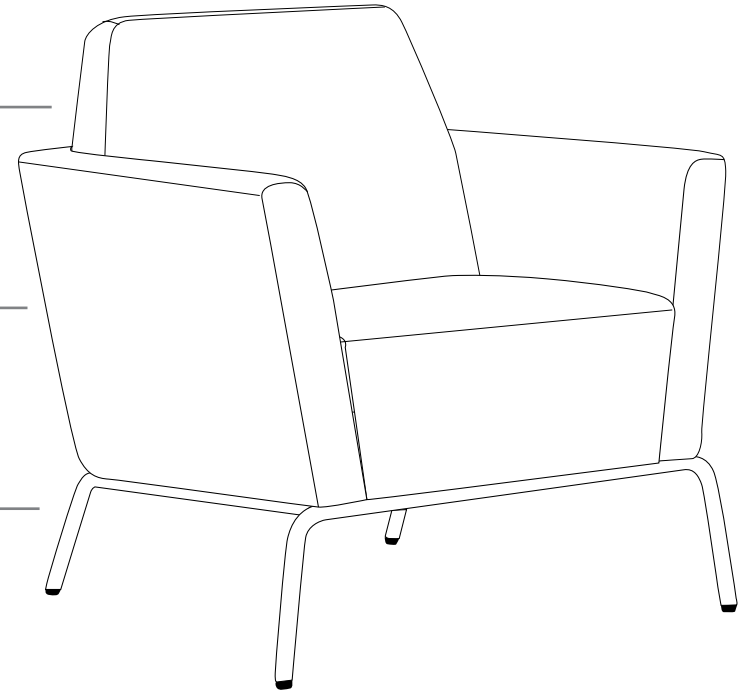
✘ Do not use as a step ladder

HIGH DENSITY FOAM

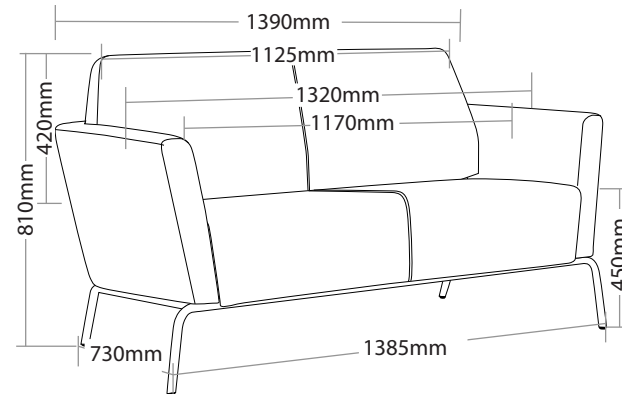
SOLID TIMBER INNER FRAME

STAINLESS STEEL FRAME

Keep a permanent contact between base of chair and floor



JADEN-1



JADEN-2



# JADEN SOFT SEATING



JADEN-1



JADEN-2

# R10 SOFT SEATING

## PLAZA

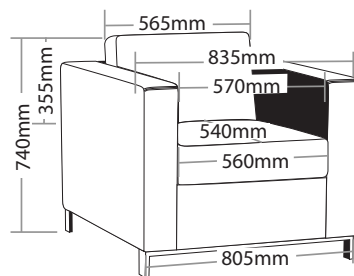
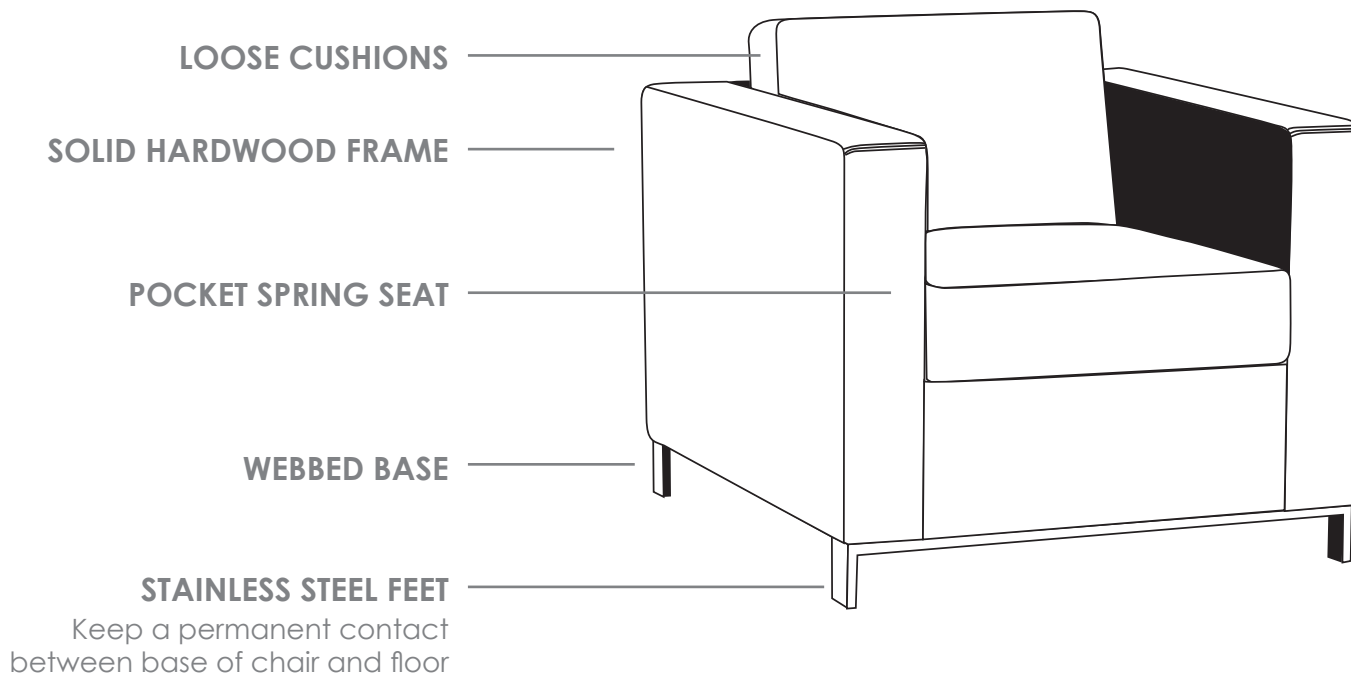


### FEATURES

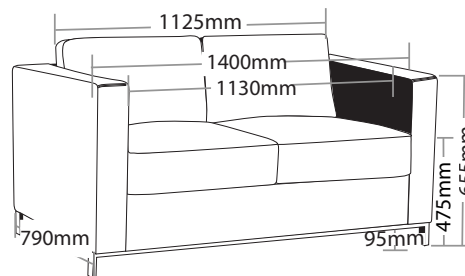
- » Optional 1, 2 or 3 seater
- » Pocket spring seat
- » Loose cushions upholstered both sides
- » Zig zag steel spring
- » Webbed base
- » Solid hardwood frame
- » Stainless steel feet
- » Available in black PU only
- » Minor assembly required
- » Suitable for indoor use only
- » 5 year warranty
- » Weight limit for 1 seater is 130kg
- » Weight limit for 2 seater is 260kg
- » Weight limit for 3 seater is 390kg

### INDOOR USE ONLY

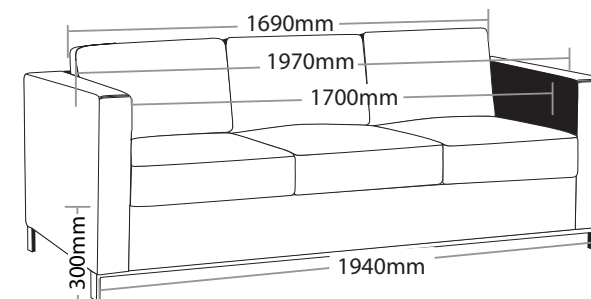
✘ Do not use as a step ladder



PL-1S



PL-2S



PL-3S

# PLAZA SOFT SEATING



PL-1S



PL-2S



PL-3S

# R11 INDUSTRIAL STOOLS

## CAD



### FEATURES

- » Adjustable seat height
- » Adjustable seat angle
- » Optional drafting kit
- » Optional glides or brake castors
- » Saddle seat
- » Nylon castors
- » 640mm black nylon base
- » Available in black PU only
- » Minor assembly required
- » Suitable for indoor use only
- » 5 year warranty
- » Weight limit is 120kg

### INDOOR USE ONLY

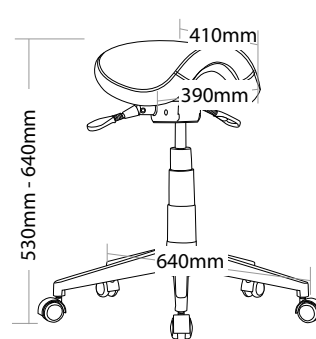
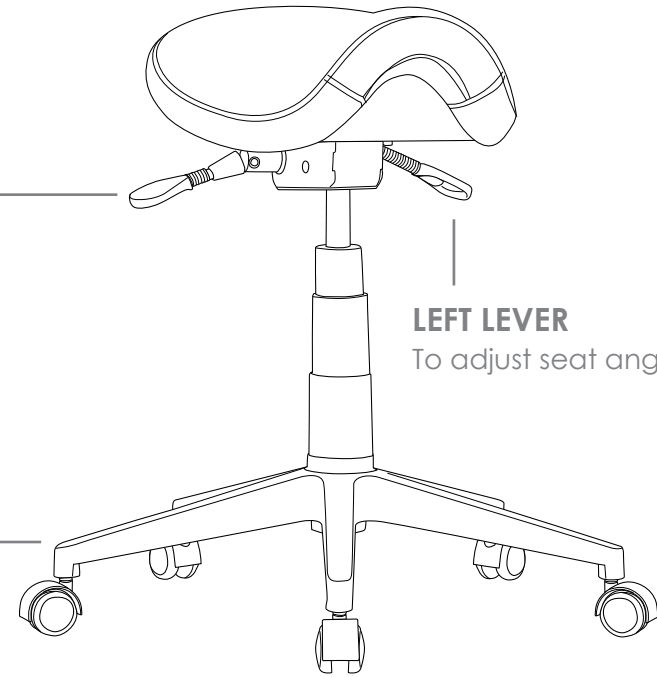
X Do not use as a step ladder

**RIGHT LEVER**  
To adjust seat height

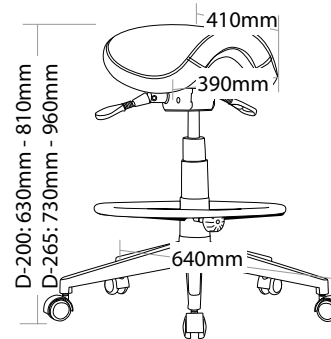
**LEFT LEVER**  
To adjust seat angle

**640MM BLACK NYLON 5 STAR  
BASE WITH CASTORS**

Use soft tyred castors for tiles  
Use hard tyred castors for carpet



CAD



CAD-D

# CAD INDUSTRIAL STOOL



CAD



CAD-D



BACK VIEW

# R11 INDUSTRIAL STOOLS

## STAGE



### FEATURES

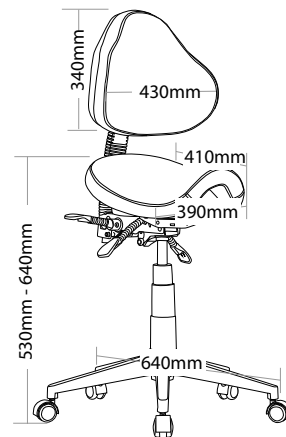
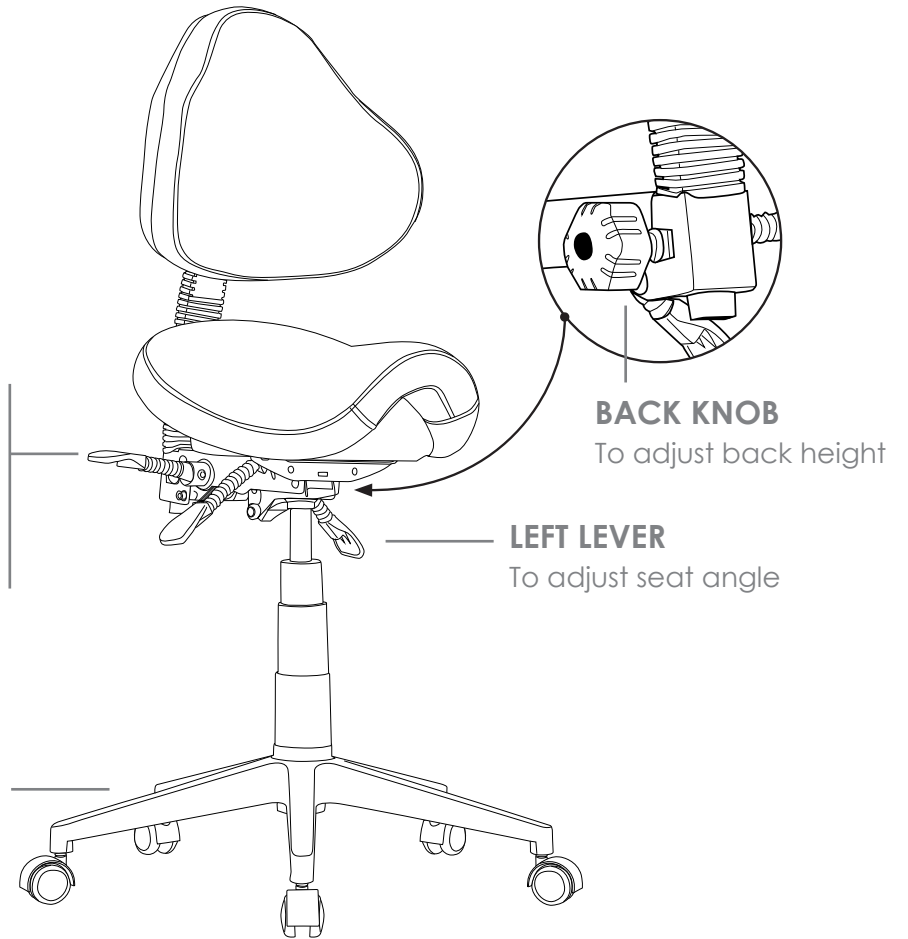
- » Adjustable seat height
- » Adjustable back height
- » Adjustable seat and back angle
- » Optional drafting kit
- » Optional glides or brake castors
- » Saddle seat
- » 640mm black nylon base with castors
- » Available in black PU only
- » Minor assembly required
- » Suitable for indoor use only
- » 5 year warranty
- » Weight limit is 120kg

### INDOOR USE ONLY

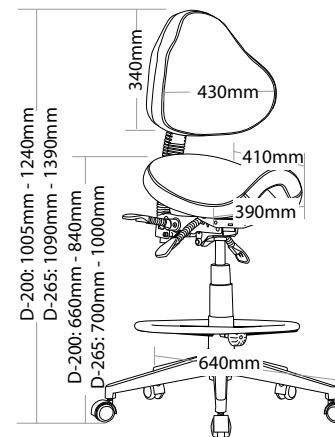
X Do not use as a step ladder

### 640MM BLACK NYLON 5 STAR BASE WITH CASTORS

Use soft tyred castors for tiles  
Use hard tyred castors for carpet



STAGE



STAGE-D

# STAGE INDUSTRIAL STOOL



STAGE



STAGE-D



BACK VIEW

# R11 INDUSTRIAL STOOLS

## STATE

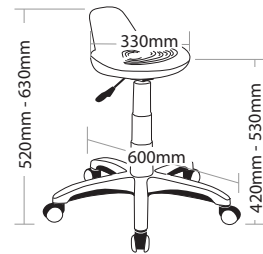
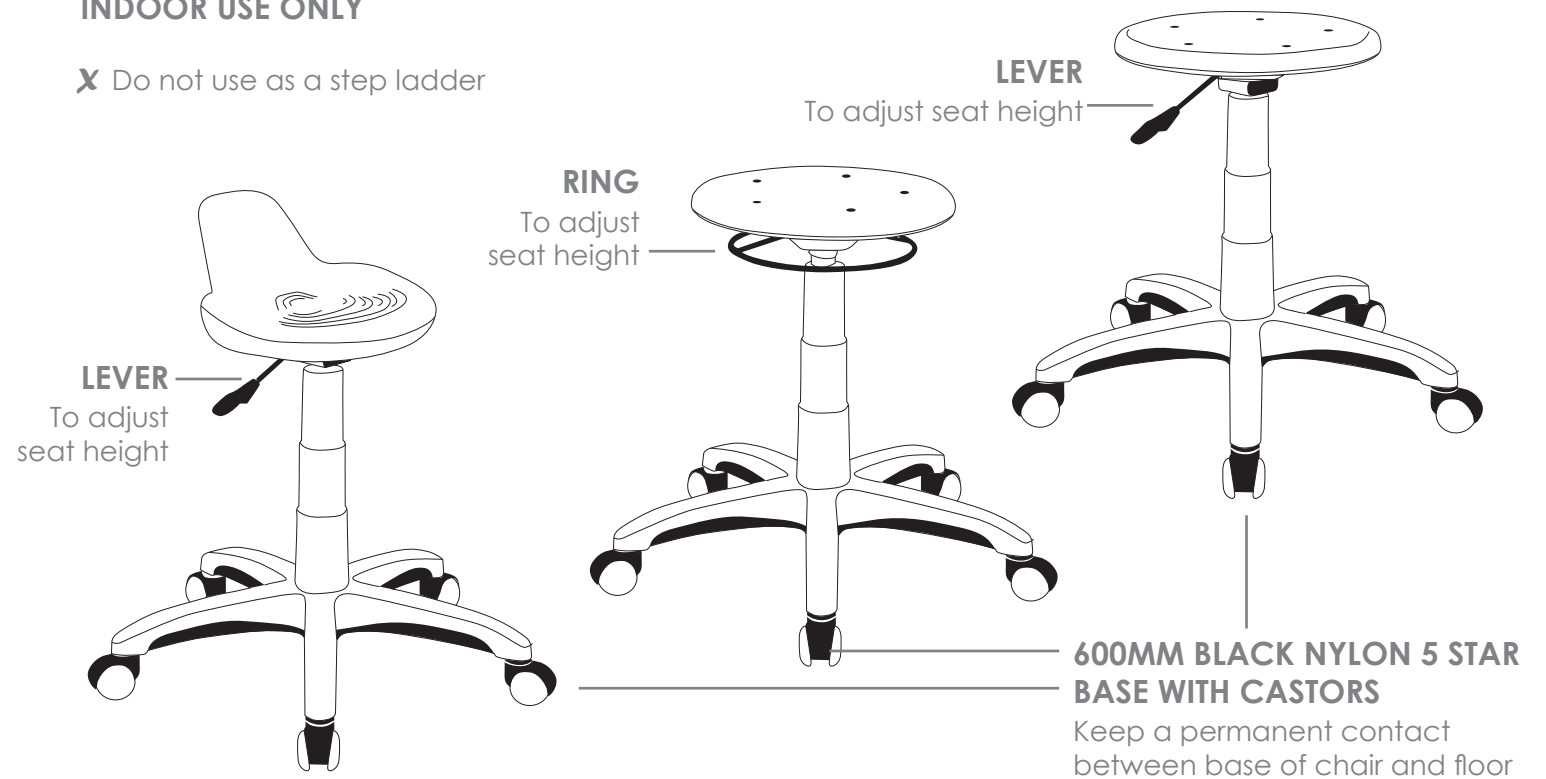


### FEATURES

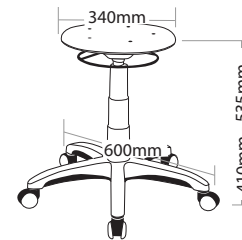
- » Adjustable seat height
- » Optional drafting kit
- » Optional glides or brake castors
- » 600mm black nylon base
- » Available in black only
- » Minor assembly required
- » Suitable for indoor use only
- » 5 year warranty
- » Weight limit is 120kg

### INDOOR USE ONLY

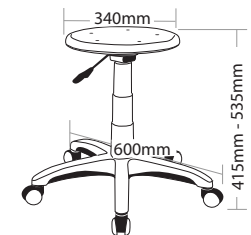
**X** Do not use as a step ladder



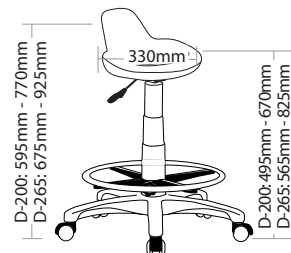
ST001



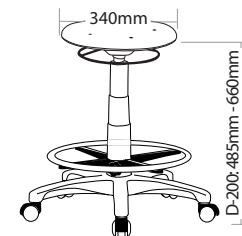
ST005



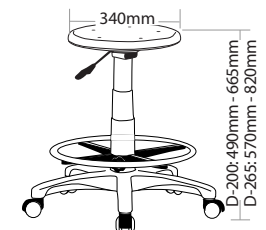
ST008



ST001D



ST005D



ST008D



# STATE INDUSTRIAL STOOL



ST001



ST005



ST008



ST001D



ST005D



ST008D

# R11 INDUSTRIAL STOOLS

## STATE

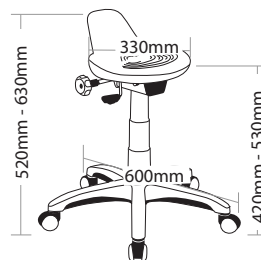
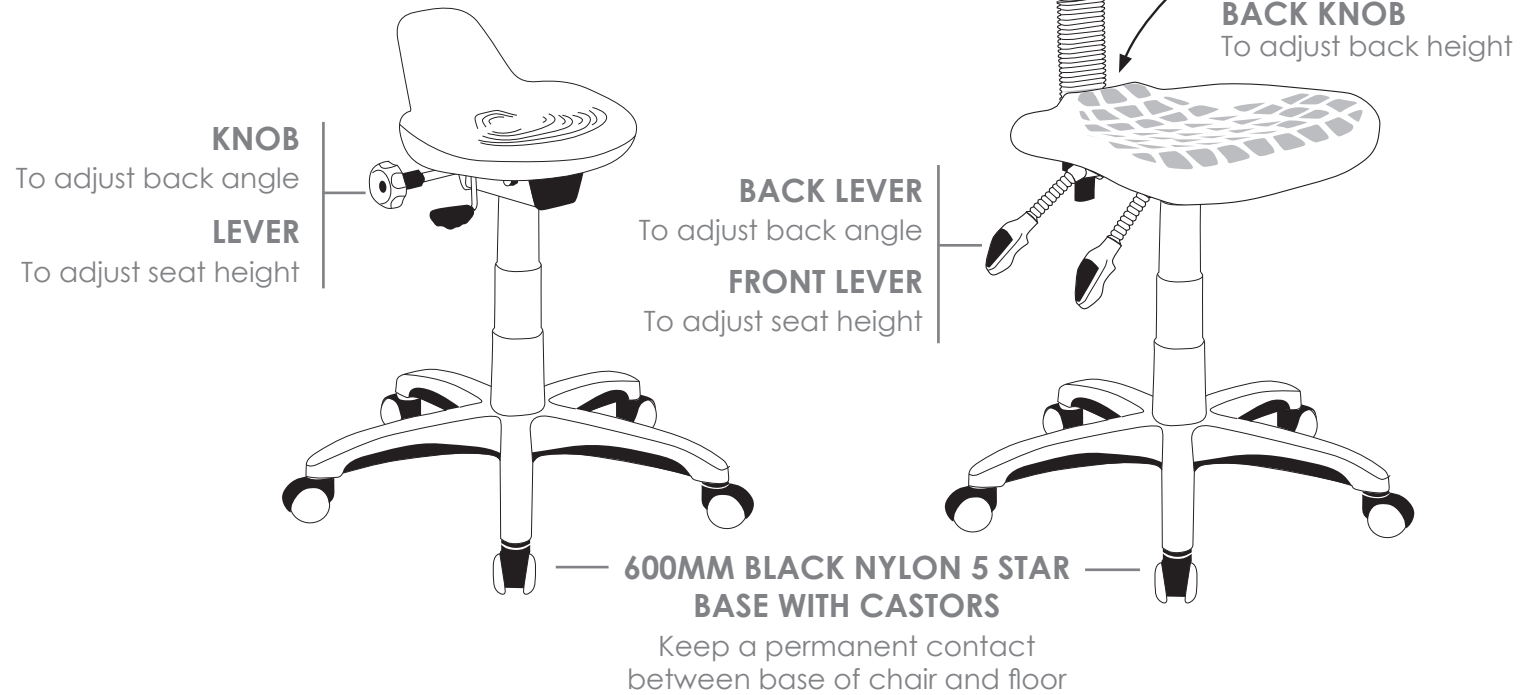


### FEATURES

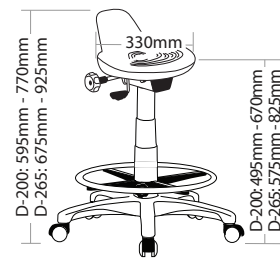
- » Adjustable seat height
- » Adjustable back height (ST007 only)
- » Adjustable seat angle (ST007 only)
- » Optional drafting kit
- » Optional glides or brake castors
- » 600mm black nylon base
- » Available in black only
- » Minor assembly required
- » Suitable for indoor use only
- » 5 year warranty
- » Weight limit is 120kg

### INDOOR USE ONLY

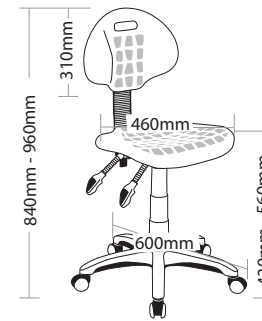
✗ Do not use as a step ladder



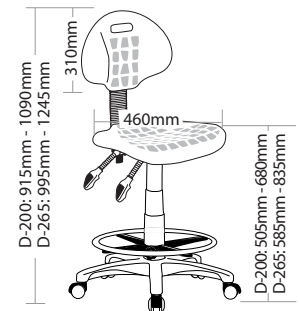
ST006



ST006D



ST007



ST007D

# STATE INDUSTRIAL STOOL



ST006



ST006D



ST007



ST007D

# STYLE<sup>®</sup> XPRESS

## Seating On Demand

*is a division of Style Ergonomics Australia Pty Ltd*

Style Xpress is a division of Style Ergonomics Australia Pty Ltd, all products offered under this new marketing entity will be stocked in all three Style warehouses (NSW, VIC, QLD). The Style Xpress range will include products from the current core range and also new ranges that Style had developed to suit our local market.

The Style Xpress range will be delivered to dealer warehouses in Metro areas in each city and to transport companies within 2-4 working days, customers will have the option of assembled or boxed at no charge. Naturally, this focus on an express Style range is designed with the intention to cater to your time sensitive clients and those products are available for express delivery on demand. A drop ship programme will also be introduced, details will be sent separately.

The Style Xpress brand will have a printed brochure, printed price list, electronic copies, electronic marketing materials, an online brochure and a dedicated web site ([www.stylexpress.com.au](http://www.stylexpress.com.au)).

Processing of orders, correspondence and invoicing will remain the same as always, through Style Ergonomics Australia Pty Ltd. Style Xpress is purely a marketing entity.

## STYLE ERGONOMICS AUSTRALIA PTY LTD

NSW | VIC | QLD | HONG KONG | CHINA

### NSW BRANCH

**A:** 83-85 Percival Road, Smithfield 2164



### VIC BRANCH

**A:** 21-23 Edison Rd, Dandenong South 3175



### QLD BRANCH

**A:** 3 Alicijay Circuit, Luscombe 4207



**T:** 1300 735 574

**F:** + 612 9757 1848

**W:** [www.stylexpress.com.au](http://www.stylexpress.com.au)

**E:** [sales@styleergonomics.com.au](mailto:sales@styleergonomics.com.au)

**ABN** 66 081 497 850

**ACN** 081 497 850